

## Defender Restricted

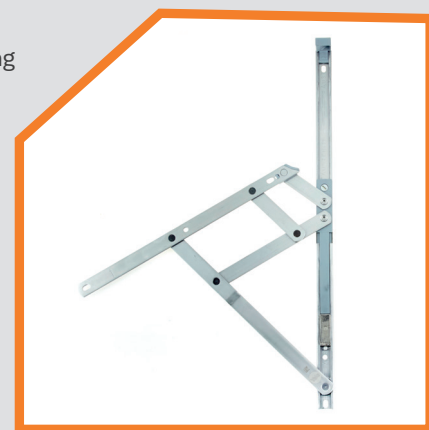
A friction hinge designed specifically for occupant safety.

### Features

- Improved weather sealing and draught proofing performance from extended enclosed end cap and asymmetrical vent arm form when tested to BS 6375-1
- Unique robust cam friction device eliminates any risk of friction screw misuse
- Available in ferritic 430 as standard or austenitic 304 stainless steel for enhanced corrosion resistance
- Built-in quick release lever allows the window to be fully opened for easy cleaning and total ventilation
- Asymmetric location system for reliable and accurate closure
- Restrictor automatically relocates and resets when the window is closed
- Slot-hole-slot vent fixing configuration for ease of adjustment and guaranteed fixing into reinforcement on PVC-u window frames
- Available as highline variants for profiles with cavities between 16mm and 18mm

### Specification

- Compliant with BS EN 13126-6 Hardware for windows and door height windows. Requirements and test methods
- Tested to BS EN 1670 - Ferritic Grade 3 corrosion resistance 96 hours, Austenitic Grade 4 corrosion resistance 240 hours
- Compliant with BS EN 13126-5 – Hardware for windows and door height windows and requirements and test methods
- Endurance tested to 30,000 cycles
- 10 or 12 year mechanical guarantee\*



## Defender Restricted Top Hung

Defender Restricted Top Hung	Hinge Size (mm)	Stack Height (mm)	Max Vent Weight (kg)	Min Vent Height (mm)	Max Vent Height (mm)	Opening Angle (+/-2.5°)
EDTR12-EXP	310	13	20	350	550	65°
EDTR16-EXP	412	13	21	500	780	59°
EDTR20-EXP	513	13	26	700	1100	50°
EDTR24-EXP	615	13	40	850	1300	37.5°
EDTR24H6-EXP	615	16	40	850	1300	37.5°
EDTR24H7-EXP	615	17	40	850	1300	37.5°

## Defender Restricted Side Hung

Defender Restricted Side Hung	Hinge Size (mm)	Stack Height (mm)	Max Vent Weight (kg)	Min Vent Height (mm)	Max Vent Height (mm)	Opening Angle (+/- 2.5°)
EDSR12-EXP	310	13	22	300	600	58°
EDSR16-EXP	412	13	24	400	700	58°

- Add H6 for 16" (For example EDTR24H6-EXP)
- Add H7 for 17" (For example EDTR24H7-EXP)
- For austenitic variants add 'A' to end of part code
- For timber variants add 'TV' to end of part code (13mm stack height only)
- Side hung restricted hinges are sold with an opposite hand standard non-restricted hinge; as only one side hung restricted hinge is required and must be fitted as a bottom hinge - PL = Left Hand hinge is restricted, -PR = Right Hand hinge is restricted
- Top hung restricted hinges are sold and must be fitted in pairs

\*10 Year Mechanical Guarantee for Standard Ferritic and 12 Year Mechanical Guarantee for Austenitic Stainless Steel

**Note:** As with all types of friction hinges, friction cannot be provided until the slider moves, therefore when opening top hung. Vents to angles of 10° or less a separate device may be required to prevent the window from closing.

Restricted gap is controlled by:

- System profile depth
- Vent size

## Accreditations and Affiliations



### Council for Aluminium in Buildings

Securistyle are members of the CAB, who encourages the use of aluminium products in construction.



### Council on Tall Buildings & Urban Habitat

The world's leading resource for professionals focused on the design and construction of tall buildings.



### Made in Britain

The Made in Britain initiative champions British manufacturing by encouraging the supply chain of UK-made goods.



### ISO 14001:2015

British Standards Institute certification for the design, development, supply and manufacture of architecture for applications to windows.



### ISO 9001

British Standards Institute certification for a quality management system.

### Securistyle

Kingsmead Industrial Estate, Princess Elizabeth Way,  
Cheltenham, Gloucestershire GL51 7RE  
Telephone: +44 (0)1242 221200 Email: info@securistyle.co.uk  
[www.securistyle.com](http://www.securistyle.com)

Due to a continuous programme of development the company reserves the right to make alterations without notice. (Products which are not a stocked item will be subject to a longer lead time which needs to be agreed with your Securistyle representative).

© ASSA ABLLOY September 2022



## Defender Window Hinge Range

High-performance friction hinges offering enhanced resistance against corrosion.

## Defender Standard

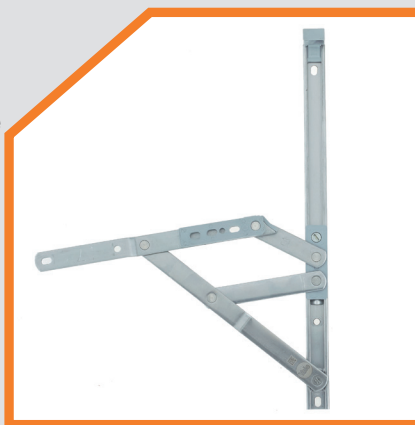
A standard duty friction stay.

### Features

- Improved weather sealing and draught proofing performance from extended enclosed end cap and asymmetrical vent arm form to BS 6375-1
- Lipped slider for enhanced smooth operation
- Available in ferritic 430 as standard or austenitic 304 stainless steel for enhanced corrosion resistance
- Easy friction adjustment without metal to metal contact
- Unique robust cam friction device eliminates the risk of screw misuse
- Asymmetric location system for reliable and accurate closure
- Enclosed end cap to prevent ingress of debris and provide increased cavity tolerance
- Slot-hole-slot format allowing for easier vent adjustment
- Highline variant available for deeper profiles with cavities between 16mm and 18mm

### Specification

- Compliant with BS EN 13126-6 Hardware for windows and door height windows. Requirements and test methods
- Tested to BS EN 1670 - Ferritic Grade 3 corrosion resistance 96 hours, Austenitic Grade 4 corrosion resistance 240 hours
- Endurance tested to 30,000 cycles
- 10 or 12 year mechanical guarantee\*



## Defender Standard Top Hung

Defender Standard Top Hung	Hinge Size (mm)	Stack Height (mm)	Max Vent Weight (kg)	Min Vent Height (mm)	Max Vent Height (mm)	Opening Angle (+/- 2.5°)
EDT6-EXP	159	13	10	150	300	50°
ED8-EXP	209	13	12	200	350	65°
EDT10-EXP	259	13	16	275	400	80°
EDT12-EXP	310	13	20	350	550	80°
EDT16-EXP	412	13	21	500	780	80°
EDT20-EXP	513	13	26	700	1100	50°
EDT24-EXP	615	13	40	850	1300	37.5°

## Defender Standard Side Hung

Defender Standard Side Hung	Hinge Size (mm)	Stack Height (mm)	Max Vent Weight (kg)	Min Vent Height (mm)	Max Vent Height (mm)	Opening Angle (+/- 2.5°)
ED8-EXP	209	13	18	200	400	65°
EDS12-EXP	310	13	22	300	600	60°
EDS16-EXP	412	13	24	400	700	60°

- Also available in 16" & 17" stack height
- Add H6 for 16" (For example ED8H6-EXP)
- Add H7 for 17" (For example ED8H7-EXP)
- For austenitic variants add 'A' to end of part code (not including 6")
- For slimline variants add 'S' to end of part code (not including 6", 13mm stack height only)
- For timber variants add '-TV' to end of part code (13mm stack height only)

\*10 Year Mechanical Guarantee for Standard Ferritic and 12 Year Mechanical Guarantee for Austenitic Stainless Steel

**Note:** As with all types of friction hinges, friction cannot be provided until the slider moves, therefore when opening top hung. Vents to angles of 10° or less a separate device may be required to prevent the window from closing.

## Defender Plus

The Defender Plus offers an increased carrying capacity to suit larger vent openings.

### Features

- Ability to carry a load of up to 50kg top-hung and 40kg side-hung
- Asymmetric location system for reliable and accurate closure
- Slot-hole-slot vent fixing configuration for ease of adjustment and guaranteed fixing into reinforcement on PVC window frames
- Improved weather sealing and draught proofing performance from asymmetrical vent arm form
- Enclosed end cap to prevent ingress of debris and provide increased cavity tolerance
- Adjustable friction cam in slider
- Available in a highline variant for deeper profiles with cavities between 16mm and 18mm
- Top hung variant available in ferritic and austenitic stainless steel
- Side hung variant available in stainless steel

### Specification

- Compliant with BS EN 13126-6 Hardware for windows and door height windows. Requirements and test methods
- Tested to BS EN 1670 - Ferritic Grade 3 corrosion resistance 96 hours, Austenitic Grade 4 corrosion resistance 240 hours
- Endurance tested to 30,000 cycles
- 10 or 12 year mechanical guarantee\*



## Defender Plus Top Hung

Defender Plus Top Hung	Hinge Size (mm)	Stack Height (mm)	Max Vent Weight (kg)	Min Vent Height (mm)	Max Vent Height (mm)	Opening Angle (+/- 2.5°)
EDTH24-EXP	615	13	50	850	1500	32°

## Defender Plus Side Hung

Defender Plus Side Hung	Hinge Size (mm)	Stack Height (mm)	Max Vent Weight (kg)	Min Vent Height (mm)	Max Vent Height (mm)	Opening Angle (+/- 2.5°)
EDSH16A-EXP	412	13.5	40	400	1000	60°
EDSH16H6A-EXP	412	16.5	40	400	1000	60°
EDSH16H7A-EXP	412	17.5	40	400	1000	60°

- Also available in 16" & 17" stack height
- Add H6 for 16" (For example EDTH24H6A-EXP)
- Add H7 for 17" (For example EDTH24H7A-EXP)
- For austenitic variants add 'A' to end of part code

\*10 Year Mechanical Guarantee for Standard Ferritic and 12 Year Mechanical Guarantee for Austenitic Stainless Steel

**Note:** As with all types of friction hinges, friction cannot be provided until the slider moves, therefore when opening top hung vents to angles of 10° or less a separate device may be required to prevent the window from closing.

## Defender Egress Easy Clean

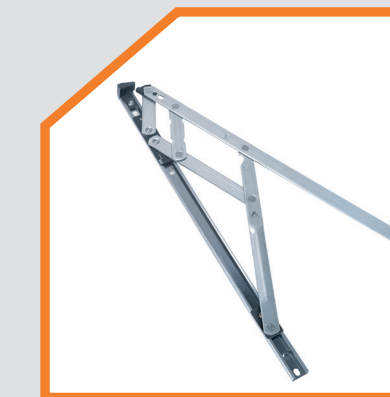
The ideal solution for emergency egress with the easy clean function helping to provide ease of use to the occupant.

### Features

- 16" hinge opens to a full 90° for emergency exit
- Self-lubricating PTFE based coating on the end cap to provide a smooth closing
- Composite slider with stainless steel release lever mechanism allows cleaning access from the inside of the building
- Automatically resets to the fire escape mode when the window is closed
- Die cast support plate in the bottom slider ensures consistent performance
- Available in 12" or 16" for side hung windows
- Drilling jigs for all sizes are available to order
- Screw fixing in the centre of the track to reduce vent drop
- Available in ferritic 430 as standard or austenitic 304 stainless steel for enhanced corrosion resistance

### Specification

- Compliant with BS EN 13126-6 Hardware for windows and door height windows. Requirements and test methods
- Tested to BS EN 1670 - Ferritic Grade 3 corrosion resistance 96 hours, Austenitic Grade 4 corrosion resistance 240 hours
- Compliant with BS 5588-1 - Fire precautions in the design, construction and use of buildings
- Complaint with BS8213-1 Design for safety in use and during cleaning of windows
- Endurance tested to 30,000 cycles
- 10 or 12 year mechanical guarantee\*



## Defender Egress Easy Clean

Defender Egress Easy Clean	Hinge Size (mm)	Stack Height (mm)	Max Vent Weight (kg)	Min Vent Height (mm)	Max Vent Height (mm)	Opening Angle (+/- 2.5°)
EDSE12-EXP	311	13	22	300	600	80°
EDSE16-EXP	413	13	24	400	700	90°

- Also available in 16" & 17" stack height
- Add H6 for 16" (For example EDSE12H6-EXP)
- Add H7 for 17" (For example EDSE12H7-EXP)
- For austenitic variants add 'A' to end of part code

\*10 Year Mechanical Guarantee for Standard Ferritic and 12 Year Mechanical Guarantee for Austenitic Stainless Steel

**Note:** As with all types of friction hinges, friction cannot be provided until the slider moves, therefore when opening top hung vents to angles of 10° or less a separate device may be required to prevent the window from closing.