



# Technical Catalogue

**ASSA ABLOY**

ASSAABLOYDoor Controls

The global leader in  
door opening solutions

# Contents

## Where can I find everything?

<b>Contents</b>	<b>X – X</b>
<b>New door closer design</b>	<b>X – X</b>
<b>Overview of functions and mounting positions</b>	<b>X – X</b>
<b>Cam-Motion® guide rail systems</b>	<b>X</b>
<b>DC700</b>	
Door closer with Cam-Motion® technology and guide rail	<b>X – X</b>
<b>DC700G-E</b>	
Door closer with Cam-Motion® technology and electro-mechanical hold-open device	<b>X – X</b>
<b>DC700G-S</b>	
Door closer with Cam-Motion® technology, electro-mechanical hold-open device and smoke detector	<b>X – X</b>
<b>DC700G-FM</b>	
Free-Motion door closer with Cam-Motion® technology and free-swing function	<b>X – X</b>
<b>DC700G-FMS</b>	
Free-Motion door closer with Cam-Motion® techn., free-swing function and integr. smoke detector	<b>X – X</b>
<b>DC700G-FMS-K</b>	
ASSA ABLOY compact Free-Motion door closer with Cam-Motion® technology, free-swing function, with integrated smoke detector, direct frame installation, hinge side	<b>X – X</b>
<b>DC700G-CM</b>	
Door closer with Cam-Motion® technology and integrated Close-Motion® element	<b>X – X</b>
<b>DC700G-FT</b>	
Security door closer with Cam-Motion® technology, integrated latch bolt and escape door strike	<b>X – X</b>
<b>DC700G-FT BGS (non-hinge side)</b>	
Security door closer with Cam-Motion® technology, integrated latch bolt and escape door strike	<b>X – X</b>
<b>DC700G-CO</b>	
Door closer with Cam-Motion® technology and integrated mechanical door coordinator	<b>X – X</b>
<b>DC700G-CO-E</b>	
Door closer with Cam-Motion® technology, electro-mechanical hold-open device and integrated mechanical door coordinator	<b>X – X</b>
<b>DC700G-CO-S</b>	
Door closer with Cam-Motion® technology, electro-mechanical hold-open device, smoke detector and integrated mechanical door coordinator	<b>X – X</b>
<b>DC700G-CO-C</b>	
Door closer with Cam-Motion® technology, with integrated mechanical door coordinator; non-hinge side	<b>X – X</b>
<b>DC700G-CO-CE</b>	
Door closer with Cam-Motion® technology, with integrated mechanical hold-open device and integrated mechanical door selector; non-hinge side	<b>X – X</b>
<b>DC700G-CO-CS</b>	
Door closer with Cam-Motion® technology, with electromechanical hold-open device, smoke detector and integrated mechanical door coordinator; non-hinge side	<b>X – X</b>
<b>DC700G-CO-FM</b>	
Free-Motion® door closer with Cam-Motion® techn., free swing func. and integr. mech. door coordinator	<b>X – X</b>
<b>DC700G-CO-FMS</b>	
Free-Motion® door closer with Cam-Motion® technology, free swing function, integrated mechanical door coordinator and smoke detector	<b>X – X</b>
<b>DC700 with G460</b>	
Door closer with Cam-Motion® technology and electro-mechanical hold-open device	<b>X – X</b>
<b>DC700 with G461</b>	
Door closer with Cam-Motion® technology and integrated mechanical coordinator	<b>X – X</b>
<b>DC700 with G462 / G464</b>	
Door closer with Cam-Motion® technology, integrated mechanical coordinator and electro-mechanical hold-open device(s)	<b>X – X</b>
<b>DC500</b>	
Door closer with Cam-Motion® technology and guide rail	<b>X – X</b>

# Contents

## Where can I find everything?

<b>Concealed systems</b>	<b>X</b>
<b>DC860</b>	
Concealed door closer with Cam-Motion® technology and guide rail	<b>X – X</b>
<b>DC860 with G880</b>	
Concealed door closer with Cam-Motion® technology and electro-mechanical hold open device	<b>X – X</b>
<b>DC860 with G881</b>	
Concealed door closer with Cam-Motion® technology and integrated mechanical coordinator	<b>X – X</b>
<b>DC860 with G882 / G884</b>	
Concealed door closer with Cam-Motion® technology, integrated mechanical coordinator and electro-mechanical hold-open device(s)	<b>X – X</b>
<b>DC840</b>	
Concealed door closer with Cam-Motion® technology and guide rail	<b>X – X</b>
<b>Rack &amp; Pinion systems</b>	<b>X</b>
<b>DC640</b>	
Rack and pinion door closer with free-swing function	<b>X – X</b>
<b>DC300</b>	
Rack and pinion door closer with link arm	<b>X – X</b>
<b>DC300 Tandem</b>	
Rack and pinion door closer with link arm for very large doors	<b>X – X</b>
<b>DC347</b>	
Rack and pinion door closer with extra strong link arm	<b>X – X</b>
<b>DC200</b>	
Rack and pinion door closer with link arm	<b>X – X</b>
<b>DC140</b>	
Rack and pinion door closer with link arm	<b>X – X</b>
<b>DC120</b>	
Rack and pinion door closer with link arm	<b>X – X</b>
<b>DC340</b>	
Rack and pinion door closer with guide rail or link arm	<b>X – X</b>
<b>Gate closers</b>	
<b>DC680G/ DC650G/ DC620G</b>	
Rack and pinion gate closers with guide rail	<b>X – X</b>
<b>Floor springs</b>	
<b>DC475</b>	
Floor spring with Cam-Motion® technology with adjustable closing force for large or very heavy doors	<b>X – X</b>
<b>DC477</b>	
Floor spring with Cam-Motion® technology with adjustable closing force for heavy doors	<b>X – X</b>
<b>DC420</b>	
Floor spring with Cam-Motion® technology with fixed force for thin slabs	<b>X – X</b>
<b>DC450</b>	
Floor spring with Cam-Motion® technology and fixed closing force for very thin slabs	<b>X – X</b>
<b>DC460</b>	
Floor spring with Cam-Motion® technology with fixed force for very thin slabs	<b>X – X</b>
Floor spring ordering matrix	<b>X – X</b>
<b>RZ100</b> Smoke detector unit	<b>X – X</b>
<b>A176</b> Metal drilling gauge	<b>X – X</b>

## Designed to enhance your specification...

### Subtle contrast

Sophisticated and sleek, ASSAABLOY door controls blend lightly contrasting colours and finishes to give a pleasing enhancement to the door design, perfect for all environments.



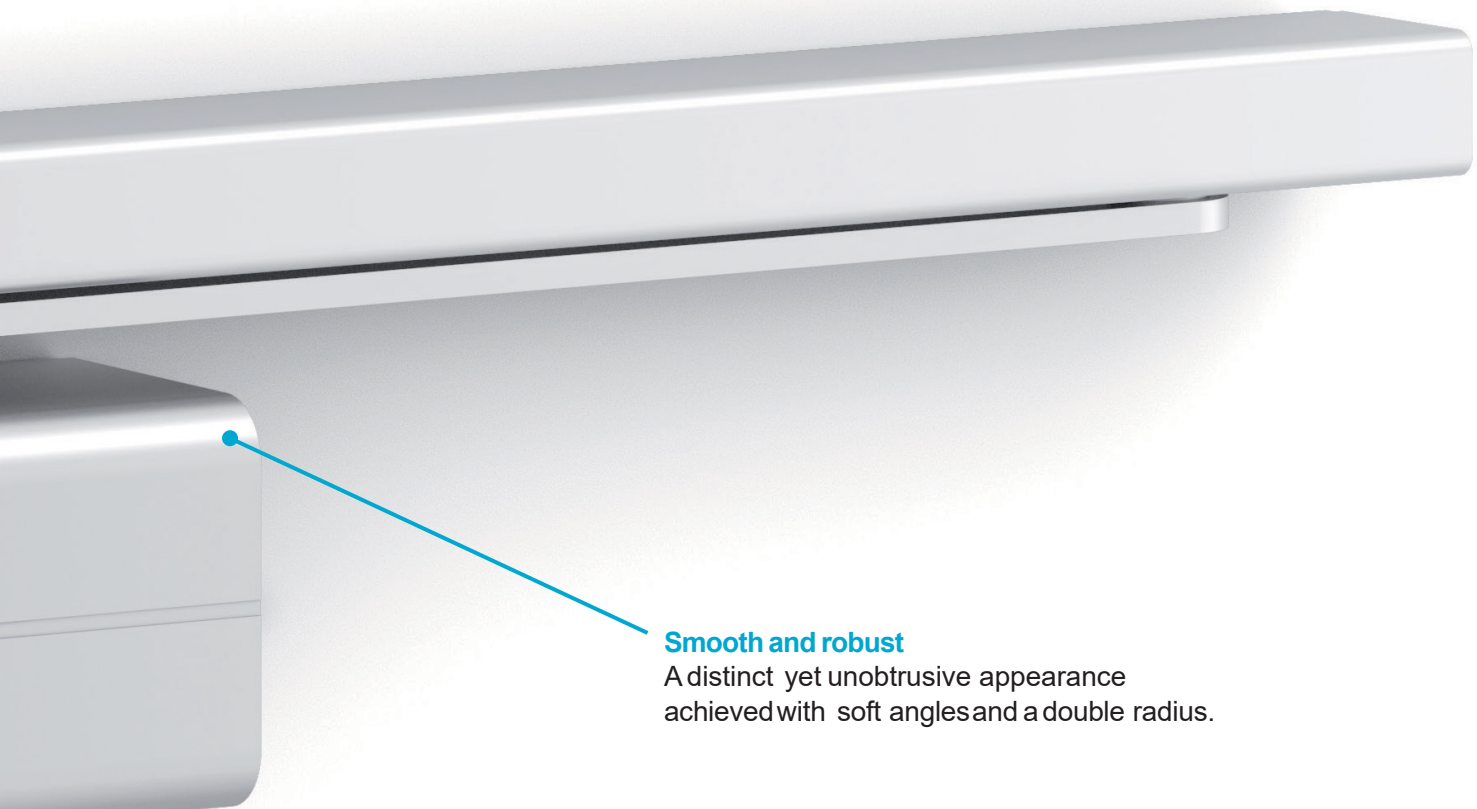
### Distinctive and modern

Contemporary in appearance, with neat chamfered edges that exude quality and robustness.

### Definition and continuity

Strong lines combined with light metallic finishes make a powerful statement. The hallmark horizontal groove provides recognisable continuity from model to model.

...thelatest evolution that works  
with your architectural vision



**Smooth and robust**

A distinct yet unobtrusive appearance achieved with soft angles and a double radius.

With the architectural vision foremost in the minds of ASSAABLOY designers, door controls have been re-imagined to bring an elegant advance in the design evolution of the portfolio.

Combined with other ASSAABLOY architectural hardware, the range offers numerous possibilities to create complete door opening solutions...All by design.

# Designed to work for you

## ASSA ABLOY Door Controls

ASSA ABLOY door controls span three technologies that cover everything you could want from a door closer: from unique features that enhanced door opening comfort to the elegant and distinctive evolutionary design, our portfolio complements every architectural style and building function.

### Solutions for all applications and door types

Our range of door controls is ideal for internal, external, lightweight and heavy duty doors, in all commercial and public sector buildings.

The attractive, modular design simplifies planning, the intelligent setting adjustments offer reliable consistent control, and the installation features provide quick and accurate installation ensuring optimum performance.

### Simpler to install

Installation is easier thanks to the height adjustable spindle offered as standard on Cam-Motion® and core rack and pinion door closers. This allows more room to manoeuvre during initial installation, and when doors are poorly installed or the hinges have worn causing the door to drop. As installation is easier and there are less adjustments to make, ASSA ABLOY door controls are more accurately installed and so perform at their optimum level, and of course are quicker and less expensive to install.

### Door control heritage

We build on 80 years' experience in door opening solutions and a solid pedigree of European manufacturing, with production starting in Finland in 1934, and Italy in 1948. In both countries we continue to design, develop and manufacture with our production footprint having also expanded to Germany and Asia over the last decade.



# Come closer!

## ASSAABLOY Door Controls

### Adjustment settings made easy

Doors are exposed to various stresses and strains on a daily basis by operation by users, temperature fluctuations, air humidity or air pressure differentials. Over time, door hinges will also wear, the door will 'drop' and the door closer performance can deteriorate. ASSAABLOY door closers can be easily adapted to meet these structural or usage conditions even after initial installation. Thermodynamic metal head valves automatically adjust to changes in temperature ensuring consistent door speeds. Opening and closing power can be adjusted to suit user needs. And when the hinge wears and the door drops, the height adjustable spindle provides 14mm of adjustment and is quick and simple to fine-tune the fixing position, returning the door closer back to its optimal performance.

### Consistent operation

Whether summer or winter, door closing speeds and control remain consistent. Metal head regulator valves used in all door closer and floor spring mechanisms provide superior thermodynamic performance than all-plastic alternatives.

### Upgrade with ease

Thanks to identical mounting positions across the core models in the portfolio, it is very easy to upgrade power sizes, functionality and technologies of door controls. The core products which include the DC200, DC300, DC500 and DC700, share the same fixing centres and position from the hinge, enabling your door control system to evolve alongside changes in building function.



### Committed sustainability

As well as products meeting all the relevant European standards, ASSAABLOY is at the forefront of efforts to support sustainability initiatives, providing Environmental Product Declarations to help the drive for better, greener buildings for future generations. Having local European manufacturing serving local European markets is at the heart of ASSAABLOY's ability to drive standards up.

If where the exact EPD does not currently exist for a specific product, the highest impact EPD within the range has been used and should be referred to.

# Compliance at the heart of design

## Quality assured driven by standards

### Safe in an emergency

You are on the safe side with ASSAABLOY, as our door closers are tested and certified to national and international standards. Fire and smoke protection doors may only be fitted with door control systems complying with EN1154, EN1155 or EN1158.

ASSAABLOY supplies approved door control systems for single and double leaf fire and smoke protection doors with different usage requirements.

### EN 1154

This standard specifies the technical requirements for controlled door closing devices, including those for fire and smoke protection doors. Designed for use on swing doors, the door closer provides controlled closing from energy provided by the user when opening the door.

### EN 1155

This standard specifies the requirements for electromechanical standalone hold open devices or those built into door closers which may be used on fire and smoke protection doors.

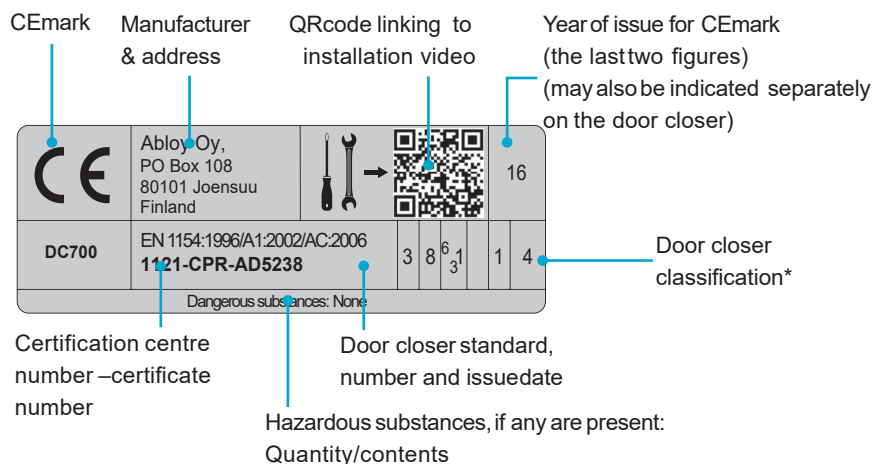
### EN 1158

This standard specifies the requirements for coordinators that are used to control the closing of rebated double doors. Coordinators can be standalone mechanisms or built into a door control system complete with door closers. Additional requirements are also required for use on fire and smoke protection doors.

### EN1154 door closer power sizes

	Recommended door leaf width	Closing torque between 0° and 4°		Opening torque between 0° and 60°
	mm max.	Nm min.	Nm max.	Nm max.
1	750	9	13	26
2	850	13	18	36
3	950	18	26	47
4	1,100	26	37	62
5	1,250	37	54	83
6	1,400	54	87	134
7	1,600	87	140	215

Example and explanation of CEMarking on DC700 door closer according to EN1154.



\* Explanation of classification key

- 4 = For closing doors from 180 degrees open
- 8 = Endurance test of 500,000 test cycles
- 3/6 = Door closer size 3-6

- 1 = Suitable for use with fire and smoke protection doors
- 1 = Meets key requirements for safe usage
- 4 = Very high corrosion resistance





1001  
Büro  
1001



# Cam-Motion® guide rail systems

Design-focused and delivering end user needs



ASSA ABLOY Cam-Motion® guide rail door closers suit harmoniously with the door's appearance, and present a wide range of design possibilities to architects and specifiers.

Secure closing and comfortable opening are no longer incompatible thanks to the rapidly decreasing opening torque characteristic of Cam-Motion® technology.

By reducing the force required to open the door, Cam-Motion® technology significantly improves door opening comfort for children, the elderly and the less able.

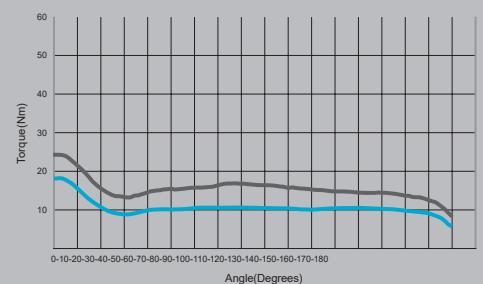
However, this may be only half the story. If the door is a fire door, then according to EN1154 the minimum door closer power setting must be size 3, and the minimum closing torque requirement is 18 Nm.

ASSA ABLOY Cam-Motion® door closers comply with this requirement, ensuring that the door sits firmly in the frame preventing the spread of fire and smoke.

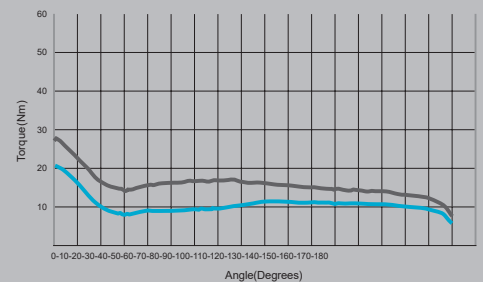
The graphs demonstrate one of the most important advantages of Cam-Motion® door closers, which is the rapidly decreasing opening force.

## Torque curves:

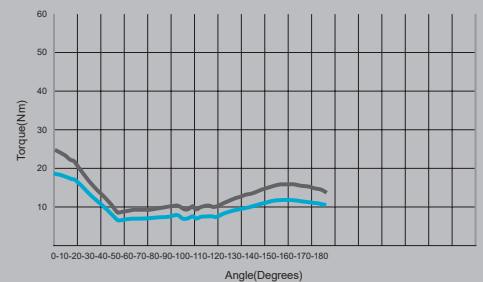
### 1 DC700



### 2 DC500



### 3 DC840



— Opening torque — Closing torque

# Cam-Motion® guide rail systems

## Design-focused and delivering end user needs

Guide rails as opposed to link arms, are often seen as more aesthetically pleasing, and certainly more practical and less prone to vandalism and ligature.

Used exclusively with guide rails, Cam-Motion® technology produces a rapidly decreasing opening force, something that is impossible for rack and pinion mechanisms to achieve.

When guide rails are used with traditional or asymmetric rack and pinion systems, opening forces are increased and user comfort and accessibility are significantly reduced.

Another important advantage of Cam-Motion® technology is the use of an asymmetric cam making the door closer non-handed, enabling it to be installed in all four fixing applications.

This makes Cam-Motion® extremely versatile as any last minute specification or on-site changes can be accommodated, and reduced stock holding for our distributors and partners.

This versatile system allows ASSA ABLOY Cam-Motion® door closers to be used with different guide rail designs for almost any single and double door application.

### Guide rail door closer mounting positions



Door leaf mounting on hinge side



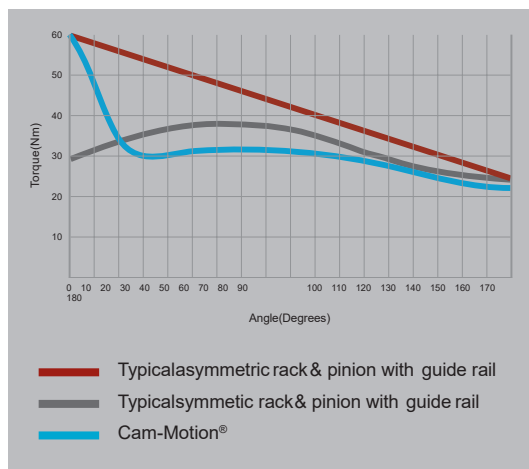
Frame mounting on hinge side



Door leaf mounting on non-hinge side



Frame mounting on non-hinge side



These systems provide enhanced functionality including electro-mechanical securing of fire and smoke protection doors with reliable, automatic closing.

An optional smoke detector seamlessly integrated into the guide rail, safely monitors electro-mechanically secured doors and closes them quickly in the event of an emergency.

Optional fixed hold open or over-ridable hold open systems ensure double leaf doors are closed safely in the correct order – the inactive leaf first followed by the active leaf.

# Cam-Motion® guide rail systems

## Design-focused and delivering end user needs

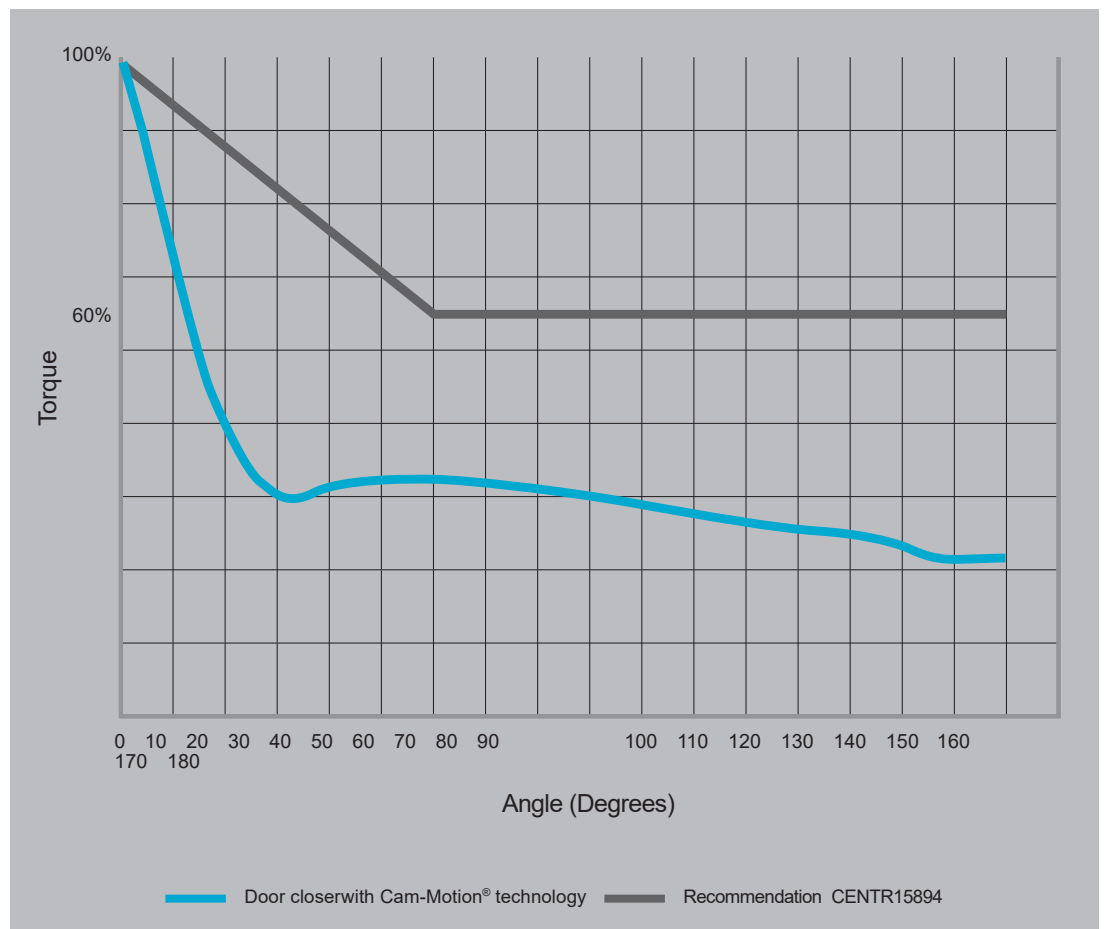
ASSA ABLOY Cam-Motion® technology enables guide rail door closers and floor springs to comply with CEN TR15894 requirements.

### CEN TR 15894

A technical report on the use of building hardware, door systems and associated products in buildings.

The aim of the report is to ensure designs for safer, more reliable and more convenient use of doors for residents in buildings, placing particular focus on children, the elderly and the disabled.

The key recommendation for users is to install a door closer which incorporates a rapidly decreasing opening torque. To ensure that this is the case, the force which a user needs to apply to open the door up to 60° must be reduced by 40%.





## Rack & pinion technology

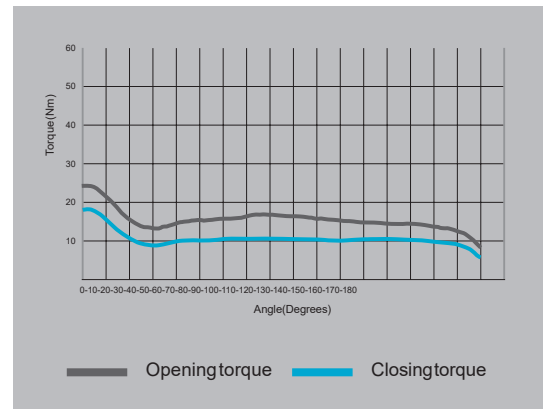
### High-efficiency door closers



Complementing the Cam-Motion® door closers, ASSA ABLOY's high efficiency rack and pinion technology also provides easy access solutions using link arms.

Due to the high efficiency performance, there is minimal energy loss between the opening force input by the user, and the closing force returned by the door closer. This means that a comfortable, low opening force can be set whilst still complying with the closing force requirement of EN1154 for use on fire and smoke protection doors.

Hence, specifiers and building owner's responsibilities are met, and end user experience of the building environment is enhanced.







# Cam-Motion® floor spring solutions

## Enhanced durability and efficiency



ASSAABLOY floor springs feature the same Cam-Motion® technology and rapidly decreasing opening torque characteristics as our Cam-Motion® guide rail systems for maximum opening comfort.

Concealed under the finished floor level with the ability to control single and double action doors, they can offer enhanced practicality for certain environments.

Manufactured from cast iron with enhanced durability of up to one million cycles, and the use of direct mount pivots enables floor springs from ASSAABLOY to tolerate heavier doors, and of course make an ideal solution for glass doors.

Equipped with independent closing and latch speed functionality as standard, the use of metal head thermodynamic valves ensure consistent performance across a wide temperature range, and can be specified without hold-open, or with hold-open for use on non-fire doors at either 90° or 105°.

A full range of accessories is available from ASSAABLOY including single and double action arms and pivots, stainless steel, polished stainless steel and brass finish top plates, and a sealing compound.

### Cam-Motion® floor springs

	DC475	DC477	DC420	DC460	DC450
EN size	3 - 6	2 - 4	2 or 3 or 4	2 or 3 or 4	3 or 4
Recommended door max. width (mm)	1400	1100	850 or 950 or 1100	850 or 950 or 1100	950 or 1100mm
Max. weight of door	< 300 kg	< 170 kg	< 100 kg	< 120 kg	120 kg
Applications	Heavy doors, high traffic doors, exterior doors	Exterior & Interior doors	Recommended for glass doors	Recommended for light-duty interior doors	Recommended for light-duty interior doors
Opening angle (incl. Hold Open)					
Back-check	✓	✓			
Single-action	✓		✓		
Double-action	✓	✓	✓	✓	✓
Fire Doors (CE)	✓ (no hold-open)	✓ (≥EN3, no hold-open)	✓ (≥EN3, no hold-open)	✓ (≥EN3, no hold-open)	✓ (≥EN3, no hold-open)
Hinge distance (mm)	36 - 42	54 - 57	36 - 46	48 - 54	49 - 54
Dimensions (mm)	345 x 78 / 72	272 x 110 / 70	306 x 82 / 47	308 x 108 / 40	277 x 108 / 40

# Door Control Matrix

## Solution overview

Door closers		Guide rail door closers									
		DC700	DC700G-CM	DC700G-FM	DC700G-FT	DC500	DC640	DC340	DC135	DC860	DC840
Features	Cam-Motion® technology	✓	✓	✓	✓	✓				✓	✓
	ASSAABLOY flagship design	✓	✓	✓	✓	✓	✓	✓	✓	✓	✓
Closing Force	Closing force range	3-6	3-6	3-6	3-6	1-4	3-4	1-4	3	1-5	1-4
	EN1(≤ 750mm)					✓		✓		✓	✓
	EN2(≤ 850mm)					✓		✓		✓	✓
	EN3(≤ 950mm)	✓	✓	✓	✓	✓	✓	✓	✓	✓	✓
	EN4(≤ 1100mm)	✓	✓	✓	✓	✓	✓	✓		✓	✓
	EN5(≤ 1250mm)	✓	✓	✓	✓					✓	
	EN6(≤ 1400mm)	✓	✓	✓	✓						
	EN7(≤ 1600mm)										
Door Type	Fireprotection doors(≥ EN3)	✓	✓	✓	✓	✓	✓	✓	✓	✓	✓
	Exterior doors	✓	✓		✓					✓	
	1-leaf doors	✓	✓	✓	✓	✓	✓	✓	✓	✓	✓
	1-leaf doorswith el.mech.HO (EN1155)	✓								✓	✓
	2-leaf doors(EN1158)	✓	✓**	✓						✓	✓
	2-leaf doorswith el.mech.HO (EN1155 / EN1158)	✓								✓	✓
	Double action doors										
	Glassdoors	✓				✓					
Functions	Free-Swing			✓			✓				
	Adjustable closing speed	✓	✓	✓	✓	✓	✓	✓	✓	✓	✓
	Adjustable latching speed	✓	✓	✓	✓	✓	✓	✓	✓	✓	✓
	Adjustable backcheck	✓	✓	✓	✓	✓	✓	✓	✓		
	Delayed action	o						o			
	Height adjustable spindle (0-14mm)	✓	✓	✓	✓	✓	✓	✓			
	Spindle extension									✓	✓
	Mechanical hold-open (not for fire doors)	o				o		o	o	o	o
	Thermodynamic valves	✓	✓	✓	✓	✓	✓	✓	✓	✓	✓
	Max. opening angle	180°	170°	170°**	170°	170°	180°	180°	180°	120°	120°
	Non-handed (left/right)	✓	✓	✓	✓	✓	✓	✓	✓	✓	✓
Standards	EN1154	✓	✓	✓	✓	✓	✓	✓	✓	✓	
	EN1155	✓		✓			✓			✓	
	EN1158	✓	✓**	✓						✓	
	CEN/TR15894	✓	✓	✓	✓	✓				✓	

\*Mechanical limit 160° | \*\*CE certificate applied for | o = optional

Mounting positions			Guide rail door closers				Link arm door closers		
			Hinge side frame mounting	Hinge side door leaf mounting	Non-hinge side frame mounting	Non-hinge side door leaf mounting	Hinge side door leaf mounting	Non-hinge side door leaf mounting	Non-hinge side door leaf mounting (parallel arm)
Type	Technology	EN							
DC700	Cam-Motion®	3-6	✓	✓	✓	✓			
DC700G-CM	Cam-Motion®	3-6		✓					
DC700G-FM	Cam-Motion®	3-6	✓	✓	✓				
DC700G-FT	Cam-Motion®	3-6		✓		✓			
DC500	Cam-Motion®	1-4	✓	✓	✓	✓			
DC860	Cam-Motion®	1-5	concealed	concealed	concealed	concealed			
DC840	Cam-Motion®	1-4	concealed	concealed	concealed	concealed			
DC640	Rack & Pinion	3-6	✓ (EN3-4)	✓ (EN3-4)	✓ (EN3-4)		✓	✓	
DC347	Rack & Pinion	5-7					✓	✓	
DC340	Rack & Pinion	2-6		✓ (EN1-4)	✓ (EN1-4)		✓	✓	
DC300	Rack & Pinion	3-6		✓ (EN1-3)			✓	✓	✓
DC300 Tandem	Rack & Pinion	>7					✓		
DC200	Rack & Pinion	2-4					✓	✓	✓
DC140	Rack & Pinion	2 / 3 / 4 / 5		✓ (EN1)			✓	✓	✓
DC135	Rack & Pinion	3		✓					
DC120	Rack & Pinion	2 / 3 / 4			✓		✓	✓	✓

# Door Control Matrix

## Solution overview

Door closers		Link arm door closers						Floor springs						
		DC640	DC347	DC340	DC300	DC200	DC140	DC120	DC477	DC475	DC460	DC450	DC420	
Features	Cam-Motion® technology								✓	✓	✓	✓	✓	
	ASSAABLOY flagship design	✓	✓	✓	✓	✓	✓							
Closing Force	Closing force range	3-6	5-7	2-6	3-6	2-4	2 / 3 / 4 / 5	2 / 3 / 4	2-4	3-6	2, 3, 4	3, 4	2, 3, 4	
	EN1(≤ 750mm)													
	EN2(≤ 850mm)			✓		✓	✓	✓	✓(170kg)		✓(120kg)		✓(100kg)	
	EN3(≤ 950mm)	✓		✓	✓	✓	✓	✓	✓(170kg)	✓(300kg)	✓(120kg)	✓(120kg)	✓(100kg)	
	EN4(≤ 1100mm)	✓		✓	✓	✓	✓	✓	✓(170kg)	✓(300kg)	✓(120kg)	✓(120kg)	✓(100kg)	
	EN5(≤ 1250mm)	✓	✓	✓	✓		✓			✓(300kg)				
	EN6(≤ 1400mm)	✓	✓	✓	✓					✓(300kg)				
	EN7(≤ 1600mm)		✓											
Door Type	Fireprotection doors(≥ EN3)	✓	✓	✓	✓	✓	✓	✓	✓	✓	✓	✓	✓	
	Exterior doors		✓	✓	✓				✓	✓		✓		
	1-leaf doors	✓	✓	✓	✓	✓	✓	✓	✓	✓	✓	✓	✓	
	1-leaf doorswith el.mech.HO (EN1155)													
	2-leaf doors(EN1158)													
	2-leaf doorswith el.mech.HO (EN1155 / EN1158)													
	Double action doors								✓	✓	✓	✓	✓	
	Glassdoors				✓	✓			✓	✓	✓	✓	✓	
Functions	Free-Swing	✓												
	Adjustable closing speed	✓	✓	✓	✓	✓	✓	✓	✓	✓	✓	✓	✓	
	Adjustable latching speed	✓	✓	✓	✓	✓	✓	✓	✓	✓	✓	✓	✓	
	Adjustable backcheck	✓	✓	✓	✓	✓	✓	✓	✓	✓				
	Delayed action			o	o									
	Height adjustable spindle (0-14mm)	✓	✓	✓	✓	✓								
	Spindle extension								✓	✓	✓	✓	✓	
	Mechanical hold-open (not for fire doors)		o	o	o	o	o	o	o (90° or 105°)	o (90° or 105°)	o (90° or 105°)	o (90° or 105°)	o (90° or 105°)	
	Thermodynamic valves	✓	✓	✓	✓	✓	✓	✓	✓	✓	✓	✓	✓	
	Max. opening angle	180°	180°	180°	180°	180°	180°	180°	175°	175°	130°	130°	175°	
	Non-handed(left/right)	✓	✓	✓	✓	✓	✓	✓	✓	✓	✓	✓	✓	
	Standards	EN1154	✓	✓	✓	✓	✓	✓	✓	✓	✓	✓	✓	✓
		EN1155	✓											
EN1158														
CEN/TR15894									✓	✓	✓	✓	✓	

\*Mechanical limit 160° | o = optional

Gate closers		Gate closers		
		DC680	DC650	DC620
Features	Rack and pinion technology	✓	✓	✓
	ASSAABLOY flagship design			
Closing Force*	Closing force range	1-3	2	1
	Size1 (for gates up to 1000mm)	✓		✓
	Size2 (for gates up to 1250mm)	✓	✓	
	Size3 (for gates up to 1400mm)	✓		
Door Type	Exterior gates	✓	✓	✓
	1-leaf gates	✓	✓	✓
Functions	Adjustable closing speed	✓	✓	✓
	Adjustable latching speed	✓	✓	✓
	Adjustable backcheck	✓		
	Thermodynamic valves	✓	✓	✓
	Max. opening angle	180°**	180°**	180°**
	Non-handed(left/right)	✓	✓	✓

\*Closing force comparable to EN1154 forces.

\*\*Gate construction/hinges may limit the maximum opening angle.

# Door Control Selector

## The right control for the right application

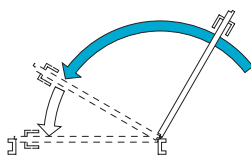
### Single leaf door systems

		Door width up to 1,100 mm	Door width up to 1,400 mm	Door width up to 1,400 mm, hold-open function	Door width up to 1,400 mm, smoke detector
Guide rail	Surface fixed	DC135 (950mm) DC340 (DA) DC500	DC700	DC700/G460 DC700G-E	DC700G-S
	Concealed	DC840 (950mm)	DC860 (1,250mm)	DC860/G880 (1,250mm)	
	Surface fixed free-swing	DC640	DC700G-FM DC700G-FMS DC700G-FMS-K (hinge side only)		
Link arm	Standard	DC120 DC200	DC140 (1,250mm) DC300 (DA) DC300 Tandem DC340 (DA) DC347 (1,600mm)		
	Free Swing		DC640		
Security door closer	Hinge side		DC700G-FT (1,200mm)		
	Non-hinge side		DC700G-FTBGS (1,200mm)		
Close-Motion®	Hinge side		DC700G-CM		
Floor springs		DC420 DC450 DC460 DC477	DC475		

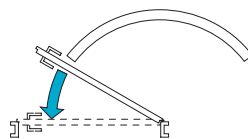
### Double leaf door systems

		Double leaf doors up to 2,800 mm	Double leaf doors up to 2,800 mm hold-open function	Double leaf doors up to 2,800 mm smoke detector
Guide rail	Surface fixed hinge side	DC700/G461 DC700G-CO	DC700/G462 or G464 DC700G-CO-E	DC700G-CO-S
	Surface fixed non-hinge side	DC700/G461 DC700G-CO-C	DC700/G462 or G464 DC700G-CO-CE	DC700G-CO-CS
	Concealed	DC860/G881	DC860/G882 or G884	

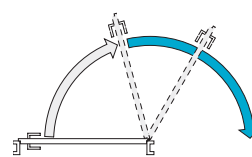
### Description of adjustable functions:



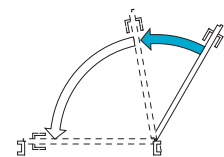
**Closing speed**  
Speed of door leaf during closing.



**Latching speed**  
Speed of closing door leaf at opening angles between 15° and 0° until it reaches its closed position.



**Backcheck**  
Opening motion is hydraulically slowed down from an opening angle of about 75°.



**Closing delay**  
Delay in the closing speed between about 120° and 70°.



# DC700

## Door closer with Cam-Motion® technology and guide rail



### ASSAABLOY DC700

- Door closer with Cam-Motion® technology and height-adjustable guide rail G195 or standard guide rail G193
- Fulfills barrier-free building requirements (EA/ CEN TR15894)
- Certified in compliance with EN1154, size 3-6
- Suitable for fire and smoke protection doors
- For single action doors up to 1400 mm wide
- Can be used in four installation types: hinge and non-hinge sides in standard and frame installation

### Characteristics of DC700

- Can be used with integrated concealed mounting plate, suitable for fire and smoke protection doors
- Can be used for left and right-handed doors
- 14 mm height adjustable arm system for ease of fitting
- Closing speed, latching speed and backcheck adjustable via front facing regulating valves
- Thermodynamic valves for consistent performance
- Variable adjustable closing force
- Opening angle up to 160°
- Effective backcheck and latching speed range adjustable
- Large range of applications
- Standard colours: silver EV1; white, similar to RAL9016; brown, similar to RAL8014; black, similar to RAL9005, stainless steel
- Customised finishes available on request



CE	Abloy Oy, PO Box 108 80101 Joensuu Finland	[Wrench icon] [Screw icon] [QR code]	16	[QR code]			
				3	8	6	1
DC700	EN1154:1996/A1:2002/AC:2006 1121-CPR-AD5238						
Dangerous substances: None							

CE	Abloy Oy, PO Box 108 80101 Joensuu Finland	[Wrench icon] [Screw icon] [QR code]	16	[QR code]			
				3	8	6	1
DC700DA	EN1154:1996/A1:2002/AC:2006 1121-CPR-AD5239						
Dangerous substances: None							

### Characteristics of special model DC700DA

- Delayed closing variable from max. opening angle - 70°, adjustable from front
- Other features as in model DC700

### Characteristics of special model DC700AC

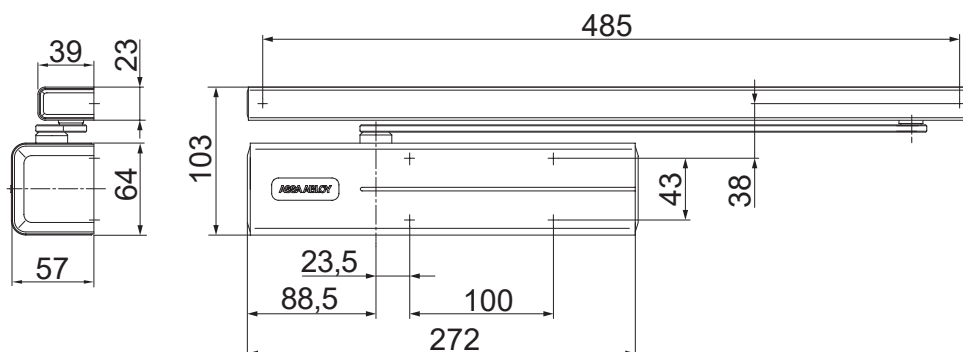
- Opening angle of 180° for standard installation on hinge side
- Other features as in model DC700

### Characteristics for guide rail G195

- Height-adjustable by 2 mm for tolerance
- Concealed fastening screws
- Installation dimensions: see diagram

### Characteristics of standard guide rail G193

- Without protective cover
- Visible fastening screws
- Installation dimensions: see diagram (dimensions in brackets)



Technical attributes	
Closing force	EN3-6
Door width up to	1400 mm
Suitable for fire doors	Yes
Handing	Left / right handed
Mounting method	Standard and frame installation
Closing speed	Variable between 170°-10°
Latching speed	Variable between 10°-0°
Backcheck	Variable above 75°
Max. door opening angle hinge side	Ca. 160°
Max. door opening angle non-hinge side	Ca. 120°
Delayed action	No
Weight	2.7 kg
Height	64 mm
Depth	58 mm
Length	272 mm
Certified in compliance with	EN1154
CE marking for building products	Yes

#### The advantages at a glance

Customer segment	Advantages
Project planners	<ul style="list-style-type: none"> <li>- Extensive range of uses: Fire and smoke protection doors as well as standard doors</li> <li>- Modern design</li> <li>- Compact design</li> <li>- Fulfills barrier-free building requirements (EA / CENTR15894)</li> <li>- Same dimensions and design with and without mounting plate</li> <li>- Comprehensive functions, standard and optional</li> </ul>
Builders	<ul style="list-style-type: none"> <li>- One drilling template overall</li> <li>- Adjustable to nearly all door and frame types</li> <li>- Quick and easy installation</li> <li>- Quickly and easily adjustable</li> <li>- Suitable for left and right handed doors for standard and frame mounting on hinge and non-hinge side</li> </ul>
Trade	<ul style="list-style-type: none"> <li>- One single product suitable for a large variety of mounting positions</li> <li>- Reduced inventory costs due to modular product range</li> <li>- Complementary accessories available for the whole product range</li> </ul>
User	<ul style="list-style-type: none"> <li>- Largely unaffected by temperature fluctuations thanks to thermodynamic valves</li> <li>- Easier door opening and improved accessibility due to rapidly decreasing torque</li> <li>- Backcheck feature offers optimum protection for doors and walls</li> </ul>

Our service for you: here you can see the individual advantages of our door closer models for your respective field of business.

#### Specifications for DC700

ASSAABLOY Door Closer DC700 with Cam-Motion® technology and guide rail in compliance with EN1154

- Closing power adjustable, EN size 3-6, for doors up to 1400 mm wide
- Closing speed, latching speed and backcheck adjustable via front facing regulating valves
- Can be used with integrated concealed mounting plate, suitable for fire and smoke protection doors
- CE approved
- 14 mm height adjustable arm system for ease of fitting
- Standard and frame mounting on hinge and non-hinge side of the door
- Suitable for left and right handed doors
- Hold-open device continuously adjustable between ca. 80° and 130°
- Hold-open device is traversable

#### Accessories:

- Standard guide rail G193
- Height-adjustable guide rail G195
- Mounting plate A120
- Mounting plate A130 for guide rail G193 and G195
- Angle bracket A104 for guide rail G193
- Mechanical opening damper A153
- Mechanical hold-open device A152 (not for fire and smoke protection doors)
- Glass door shoe A166
- Screening plate A190

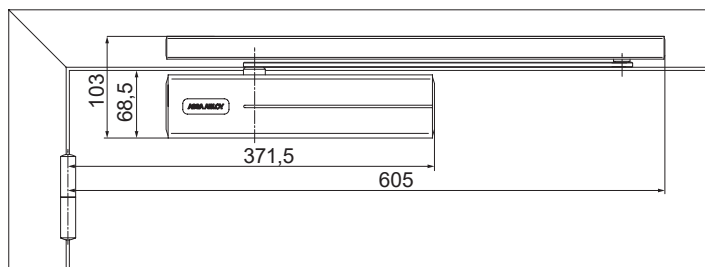
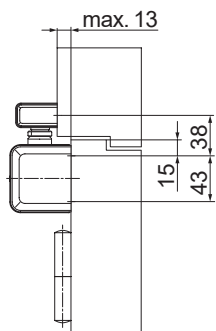
#### Colour:

- Silver EV1
- White, similar to RAL9016
- Brown, similar to RAL8014
- Black, similar to RAL9005
- Stainless steel
- Customised finishes available on request

You can find the complete specification on the internet at: [www.assaabloy.de](http://www.assaabloy.de)

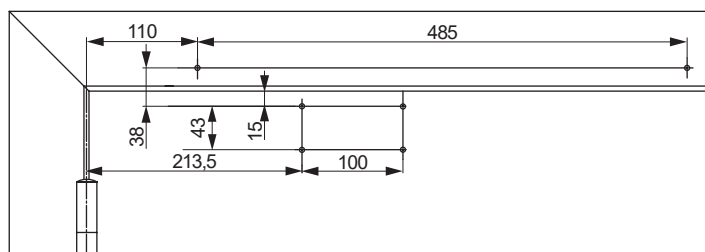
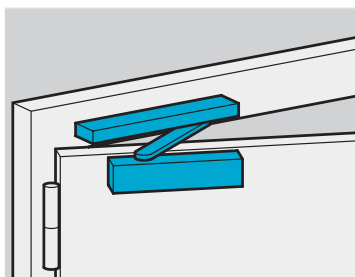
# DC700

## Dimensional drawings



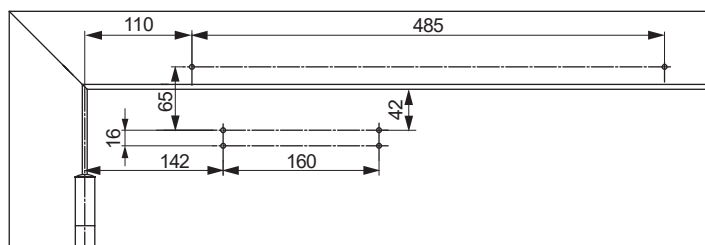
Spacerequired on doors for standard installation on hinge side

Left handed shown in diagram  
Right handed is the reverse



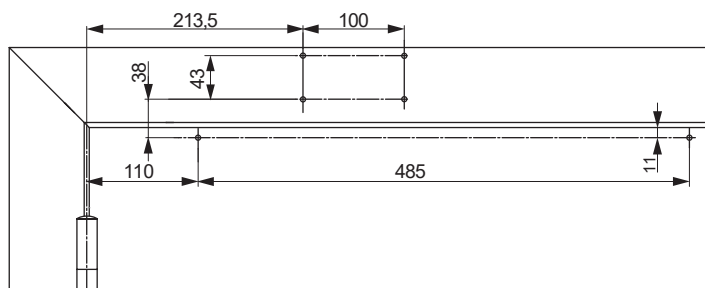
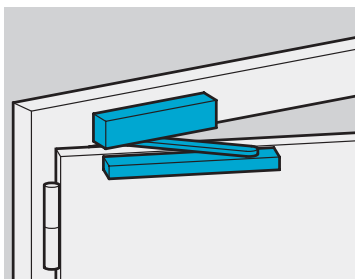
Installation dimensions for direct standard mounting on hinge side

Left handed shown in diagram  
Right handed is the reverse



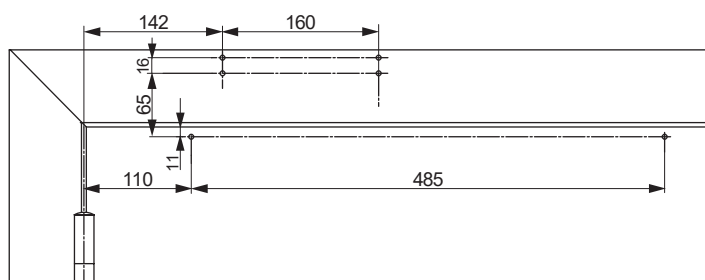
Installation dimensions with mounting plate for standard mounting on hinge side

In compliance with EN 1154, Supplement 1, or for doors where direct mounting is not possible.  
Left handed shown in diagram  
Right handed is the reverse



Installation dimensions for direct frame mounting on hinge side

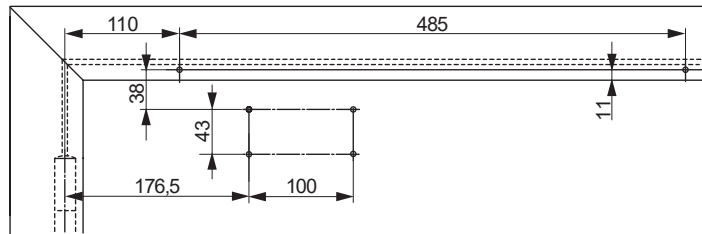
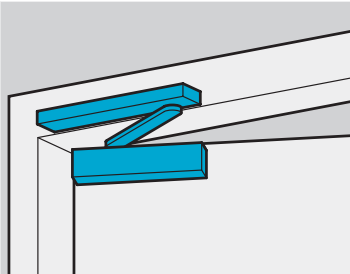
Closer on hinge side of door frame.  
Left handed shown in diagram  
Right handed is the reverse



Installation dimensions with mounting plate for frame mounting on hinge side

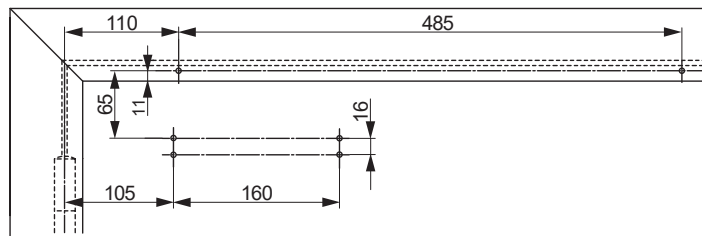
Closer on hinge side of door frame. For doors where direct mounting is not possible.  
Left handed shown in diagram  
Right handed is the reverse





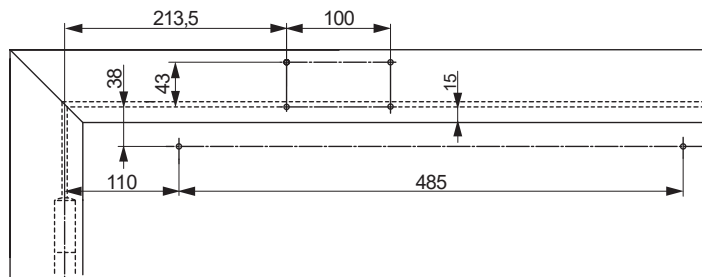
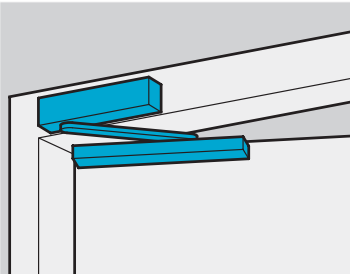
**Installation dimensions for direct standard mounting non hinge side**

Right handed door shown in diagram  
Left handed door is the reverse



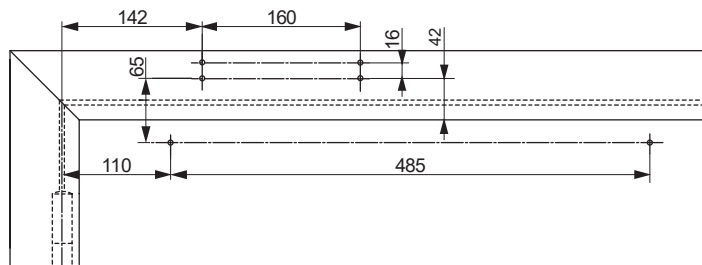
**Installation dimensions with mounting plate for standard mounting non hinge side**

For doors where direct mounting is not possible  
Right handed door shown in diagram  
Left handed door is the reverse



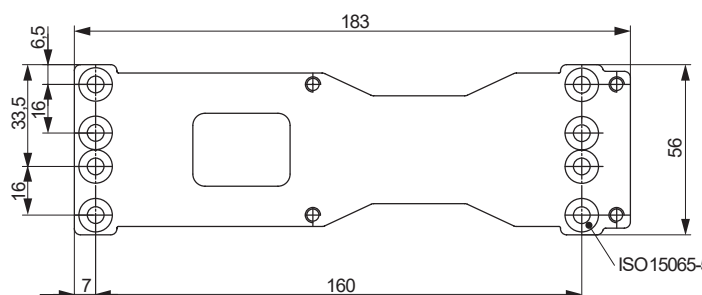
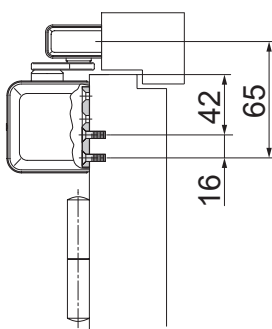
**Installation dimensions when mounted directly onto the frame non-hinge side**

Closer on non-hinge side of door frame  
Right handed door shown in diagram  
Left handed door is the reverse



**Installation dimensions with mounting plate for frame mounting non-hinge side**

Closer on non-hinge side of door frame. For doors where direct mounting is not possible.  
Right handed door shown in diagram  
Left handed door is the reverse

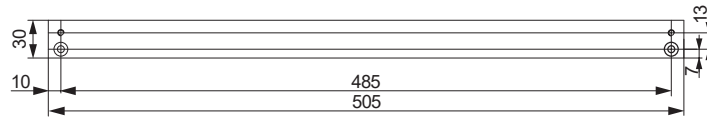
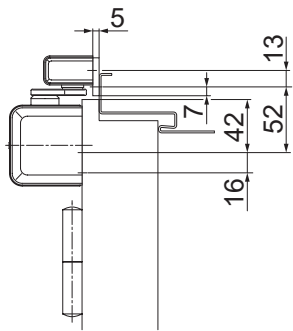


**Mounting plate A120**

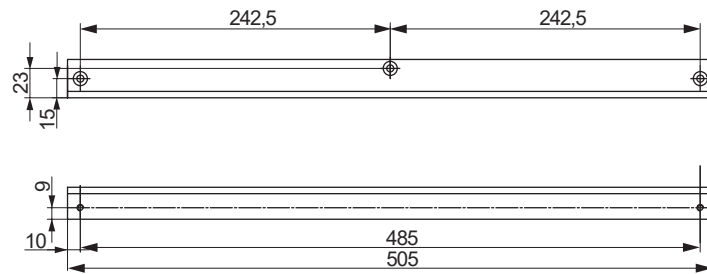
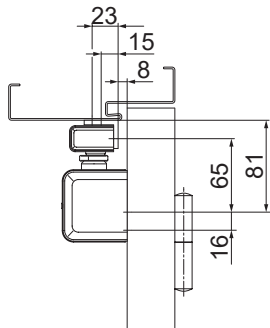
Formounting with drilling template acc.to EN 1154 Supplement 1 and for universal use

# DC700

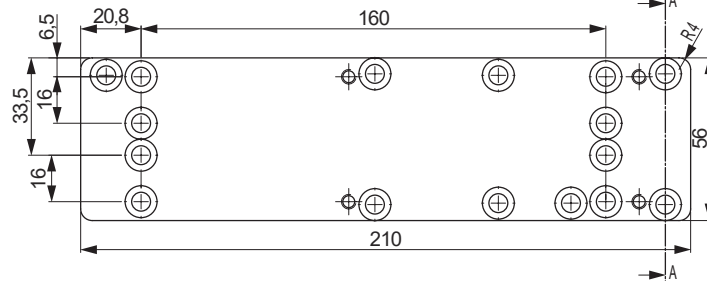
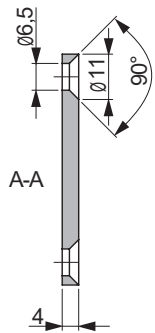
## Accessories



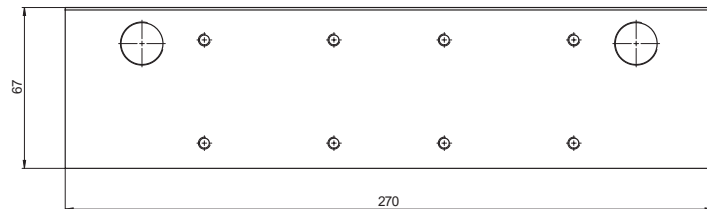
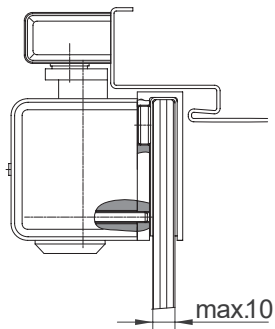
**Mounting plate A130**  
For guide rail G193 and G195



**Angle bracket A104**  
Only for standard guide rail G193



**Replacement plate A124**  
For renovation applications



**Glassdoor shoe A166**  
For mounting the door closer on the all-glass door leaf.

# DC700

## Accessories

### Stainless steel full cover

For DC500 and DC700



### Stainless steel design cover

For DC500 and DC700



### Hold-open device A152

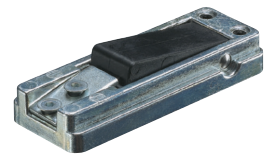
Mechanical hold-open device for doors which sometimes need to be secured in the open position.

Simple fitting into guide rail G193 and G195.

Hold-open angle max. 130°

Not approved for use on fire and smoke protection doors

Continuously adjustable holding force



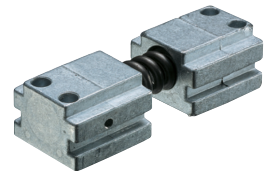
### Opening damper A153

Helps to prevent the door and door handle from hitting a return wall.

Simple fitting into guide rail.

Opening damper continuously adjustable up to an opening angle of max. 130°.

Does not replace a door stop.



### Screening plate A190

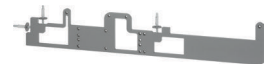
Use on doors with narrow profiles and glassfilling as cover of the back of the door.



### Universal drilling template A176

Universal drilling template for door closer models DC700, DC500, DC300 and DC200

For hinge side using



## DC700

## Order placement information

Designation/ Item	Order no.	Designation/ Item	Order no.
DC700, ENsize 3-6, silver EV1	<b>DC700----DEV1-</b>	Guide rail G195, white, similar to RAL9016	<b>DCG195----D9016</b>
DC700, ENsize 3-6, white, similar to RAL9016	<b>DC700----D9016</b>	Guide rail G195, brown, similar to RAL8014	<b>DCG195----D8014</b>
DC700, ENsize 3-6, brown, similar to RAL8014	<b>DC700----D8014</b>	Guide rail G195, black, similar to RAL9005	<b>DCG195----D9005</b>
DC700, ENsize 3-6, black, similar to RAL9005	<b>DC700----D9005</b>	Guide rail G195, stainlesssteel	<b>DCG195----D35--</b>
DC700, ENsize 3-6, stainless steel, ASSAABLOY design	<b>DC700----D35--</b>	Guide rail G195, bespoke finish	<b>DCG195----DXXXX</b>
DC700, ENsize 3-6, customised finish	<b>DC700----DXXXX</b>	Mounting plate A120, galvanised	<b>DCA120-----40</b>
DC700DA, ENsize 3-6, silver EV1	<b>DC710----DEV1-</b>	Mounting plate A136, non-hinge side, for Guide Rail G193 and G195, 40 mm, silver EV1	<b>DCA136----EV1-</b>
DC700DA, ENsize 3-6, white, similar to RAL9016	<b>DC710----D9016</b>	Mounting plate A130, silver EV1	<b>DCA130----EV1-</b>
DC700DA, ENsize 3-6, brown, similar to RAL8014	<b>DC710----D8014</b>	Mounting plate A130, white, similar to RAL9016	<b>DCA130----9016</b>
DC700DA, ENsize 3-6, black, similar to RAL9005	<b>DC710----D9005</b>	Mounting plate A130, brown, similar to RAL8014	<b>DCA130----8014</b>
DC700DA, ENsize 3-6, stainless steel, ASSAABLOY design	<b>DC710----D35--</b>	Mounting plate A130, black, similar to RAL9005	<b>DCA130----9005</b>
DC700DA, ENsize 3-6, customised finish	<b>DC710----DXXXX</b>	Mounting plate A130, customised finish	<b>DCA130----XXXX</b>
DC700AC, ENsize 3-6, silver EV1	<b>DC711----DEV1-</b>	Glassdoor shoe A166, silver EV1	<b>DCA166----EV1-</b>
DC700AC, ENsize 3-6, white, similar to RAL9016	<b>DC711----D9016</b>	Angle bracket A104, silver EV1	<b>DCA104----EV1-</b>
DC700AC, ENsize 3-6, stainless steel, ASSAABLOY design	<b>DC711----D35--</b>	Angle bracket A104, RAL9016 white	<b>DCA104----9016</b>
DC700AC, ENsize 3-6, customised finish	<b>DC711----DXXXX</b>	Angle bracket A104, brown, similar to RAL8014	<b>DCA104----8014</b>
Guide rail G193, silver EV1	<b>DCG193-----EV1-</b>	Angle bracket A104, black, similar to RAL9005	<b>DCA104----9005</b>
Guide rail G193, white, similar to RAL9016	<b>DCG193-----9016</b>	Replacement plate A124, galvanised	<b>DCA124-----40</b>
Guide rail G193, brown, similar to RAL8014	<b>DCG193-----8014</b>	Hold-open device A152	<b>DCA152-----</b>
Guide rail G193, black, similar to RAL9005	<b>DCG193-----9005</b>	Opening damper A153	<b>DCA153-----</b>
Guide rail G195, silver EV1	<b>DCG195----DEV1-</b>	Drilling gauge A176, ASSAABLOY door closers	<b>DCA176-----</b>
		Screening plate A190, stainless steel	<b>DCA190-----35--</b>

# DC700G-E

## Door closer with Cam-Motion® technology with electro-mechanical hold-open device



### ASSAABLOY DC700G-E

- Door closer with Cam-Motion® technology with electro-mechanical hold-open device for single leaf doors
- Certified in compliance with EN1154/1155, size 3-6
- Hold-open angle continuously adjustable between ca. 80° and 130°
- Hold-open device is traversable
- Fulfills barrier-free building requirements (EA/ CEN TR15894)
- DIBt approval with different smoke detection systems
- Suitable for fire and smoke protection doors up to 1400 mm wide

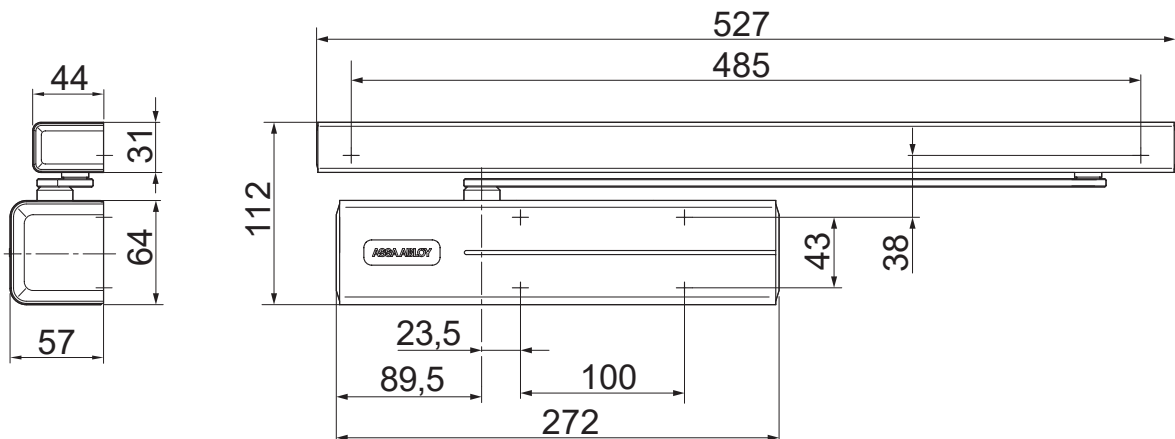
### Characteristics of DC700G-E

- Electro-mechanical hold-open device
- Supply line 24 V DC, flush or surface mounting
- Continuously adjustable holding force
- Traversable hold-open device, continuously adjustable between ca. 80°-130°
- Can be used for left and right-handed doors
- Standard installation types on the hinge and non-hinge side
- Same drilling template as standard guide rails
- Axis continuously height-adjustable up to 14 mm
- Closing speed, latching speed and backcheck adjustable via front facing regulating valves
- Thermodynamic valves for consistent performance
- Variable adjustable closing force
- Effective backcheck and latching speed range adjustable
- Larger range of applications
- Standard colours: silver EV1, white similar to RAL9016, stainless steel design
- Customised finishes available on request



CE	ASSA ABLOY Sicherheitstechnik GmbH Bildstockstraße 20 72458 Albstadt	15
	EN1155:1997/A1:2002/AC:2006 0432-CPR-00007-20	
Dangerous substances: None		

CE	Abloj Oy, PO Box 108 80101 Joensuu Finland	16
	EN1154:1996/A1:2002/AC:2006 1121-CPR-AD5238	
Dangerous substances: None		



# DC700G-E

## Technical attributes

### Guide rail G-E

Technical attributes	
Required power supply	24 V DC
Rated current consumption	Ca. 75 mA
Continuous duty	100 % ED
Class of protection	IP43
Weight	1.1 kg
Height	30 mm
Depth	43.5 mm
Length	528 mm
Suitable for fire doors	Yes
CE marking for building products	Yes
Certified in compliance with	EN1155

Facts for door closer see DC700

### The advantages at a glance

Customer segment	Advantages
Project planners	- Extensive range of uses: Fire and smoke protection doors as well as standard doors - Modern design - Compact design
Builders	- One drilling template overall - Adjustable to nearly all door and frame types - Quick and easy installation - Quickly and easily adjustable - Suitable for left and right hand doors for standard mounting on hinge and non-hinge side
Trade	- Reduced inventory costs due to modular product range - One single product suitable for a large variety of mounting positions - One single product for both, hinge and non-hinge side
User	- Adjustable operating force, to meet door construction requirements and user need

Our service for you: here you can see the individual advantages of our door closer models for your respective field of business.

### Specifications for DC700G-E

ASSAABLOY Door Closer DC700 with Cam-Motion® technology, guide rail with electro-mechanical hold-open device, 24 V DC

- Closing power adjustable, EN size 3-6, for doors up to 1400 mm wide
- Closing speed, latching speed and backcheck adjustable via front facing regulating valves
- Can be used with mounting plate for fire and smoke protection doors
- CE approved
- 14 mm height adjustable arm system for ease of fitting
- Standard and frame mounting on hinge and non hinge side of the door
- Suitable for left and right handed doors
- Hold-open device continuously adjustable between ca. 80° and 130°
- Hold-open device is traversable

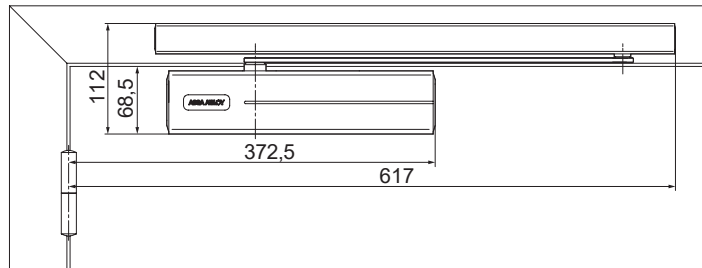
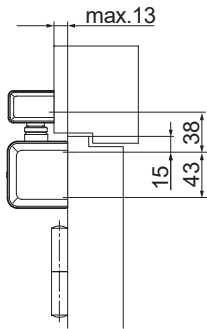
### Accessories:

- Mounting plate A131 for guide rail G-E
- Mechanical opening damper A188
- Smoke detector station RZ100
- Ceiling smoke detector ORS142 / TDS 247
- Arrester System Control Unit Model 92020-10
- Optical smoke detector 60060
- Flush-mounted or surface-mounted release button

### Colour:

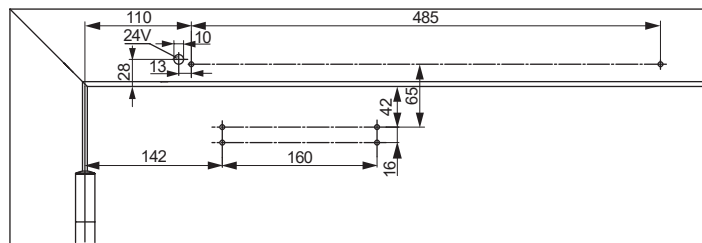
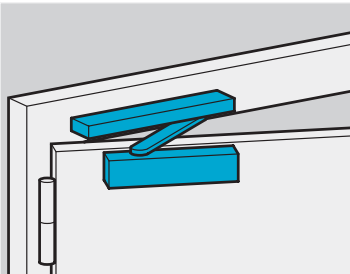
- Silver EV1
- White, similar to RAL9016
- Stainless steel
- Customised finishes available on request

You can find the complete specification on the internet at: [www.assaabloy.de](http://www.assaabloy.de)



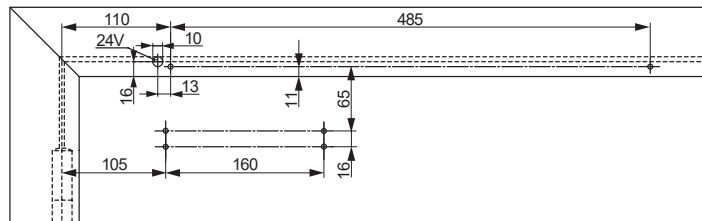
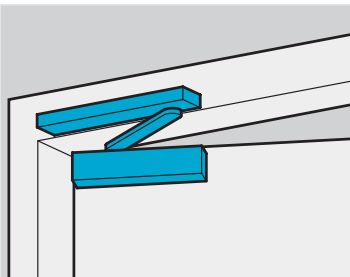
### Required space on doors

Left handed shown in diagram  
Right handed is the reverse



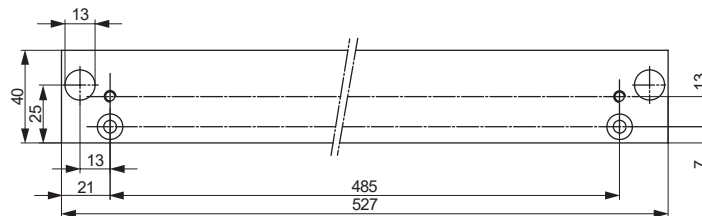
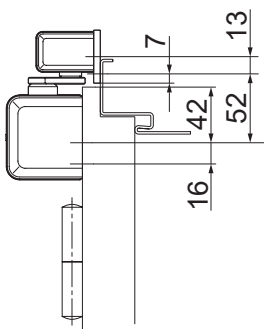
### Installation dimensions with mounting plate for standard mounting on hinge side

In compliance with EN 1154, Supplement 1, or for doors where direct mounting is not possible.  
Left handed shown in diagram  
Right handed is the reverse



### Installation dimensions with mounting plate for standard mounting non-hinge side

For doors where direct mounting is not possible  
Right handed door shown in diagram  
Left handed door is the reverse



### Mounting plate A131

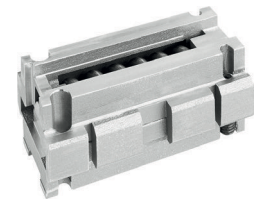
For guide rail G-E

# DC700G-E

## Accessories and order placement information

### Opening damper A188

Helps to prevent the door and door handle from hitting a return wall.  
 Simple installation in the guide rail, but doesn't replace the need for a door stop



Designation/ Item	Order no.
Guide rail with electro-mechanical hold-open device, silver EV1	<b>DCG-10-21NDEV1-</b>
Guide rail with electro-mechanical hold-open device, white, similar to RAL9016	<b>DCG-10-21ND9016</b>
Guide rail with electro-mechanical hold-open device, stainlesssteel, ASSAABLOY design	<b>DCG-10-21ND35--</b>
Guide rail with electro-mechanical hold-open device, customised finish	<b>DCG-10-21NDXXXX</b>

Designation/ Item	Order no.
Mounting plate A131, silver EV1	<b>DCA131-----EV1-</b>
Mounting plate A131, white, similar to RAL9016	<b>DCA131-----9016</b>
Mounting plate A131, customised finish	<b>DCA131-----XXXX</b>
Opening damper A188	<b>DCA188-----</b>



# DC700G-S

## Door closer with Cam-Motion® technology with electro-mechanical hold-open device and smoke detector



### ASSAABLOY DC700G-S

- Door closer with Cam-Motion® technology with electro-mechanical hold-open device and smoke detector for single-leaf doors, approval Z-6.5-2166
- Smokeswitch with contamination indicator and alarm threshold monitoring
- Integrated 230 V AC power supply
- All components fully integrated into guide rail
- Fulfills barrier-free building requirements (EA/ CEN TR15894)
- Suitable for fire and smoke protection doors up to 1400 mm

### Characteristics of DC700G-S

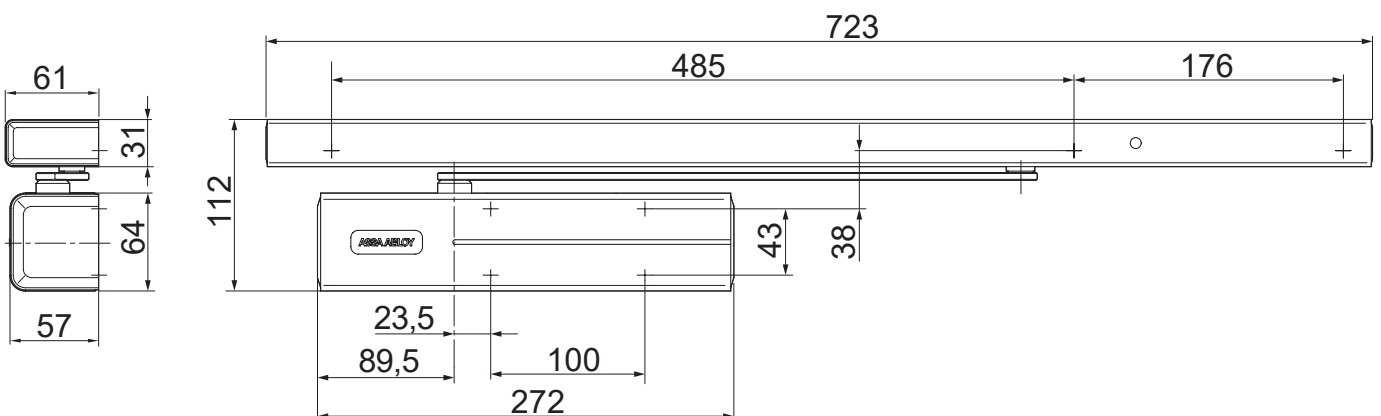
- Optical smoke detector after scattered light principle
- Status displayed on LED: operational mode, alarm, maintenance
- Integrated potential-free alarm relay
- Can be activated by a fire alarm system
- Connectivity for manual release buttons and ceiling smoke detectors
- Electro-mechanical hold-open device
- Continuously adjustable holding force
- Traversable hold-open device, continuously adjustable between ca. 80°-130°
- Can be used for left and right-handed doors
- Standard installation types on the hinge and non-hinge side
- Same drilling template as standard guide rails
- Axis continuously height-adjustable up to 14 mm
- Closing speed, latching speed and backcheck adjustable via front facing regulating valves
- Variable adjustable closing force
- Thermodynamic valves for consistent performance
- Effective backcheck and latching speed range adjustable



CE	ASSA ABLOY Sicherheitstechnik GmbH Bildstockstraße 20 72458 Albstadt	15
	EN1155:1997/A1:2002/AC:2006 0432-CPR-00007-20	
Dangerous substances: None		

CE	Abloy Oy, PO Box 108 80101 Joensuu Finland	16
	EN1154:1996/A1:2002/AC:2006 1121-CPR-AD5238	
Dangerous substances: None		

- Optional mounting plate, suitable for fire and smoke protection doors
- Entry-point in surface- and flush-mounted
- Standard colours: silver EV1, white similar to RAL9016, stainless steel design
- Customised finishes available on request



# DC700G-S

## Technical attributes

### Guide rail G-S

Technical attributes	
Required power supply	230 V supply voltage
Rated current consumption	Ca. 75 mA
Continuous duty	100%
Class of protection	IP20
Weight	1.5 kg
Height	30 mm
Depth	61 mm
Length	724 mm
Suitable for fire doors	Yes
General DIBt inspection authorities approval as a hold-open arm	Z-6.5-2166
Certified in compliance with	EN1155
CE marking for building products	Yes

Facts for door closer see DC700

### The advantages at a glance

Customer segment	Advantages
Project planners	<ul style="list-style-type: none"> <li>- Extensive range of uses: Fire and smoke protection doors as well as standard doors</li> <li>- Modern design</li> <li>- Compact design</li> </ul>
Builders	<ul style="list-style-type: none"> <li>- One drilling template overall</li> <li>- Adjustable to nearly all door and frame types</li> <li>- Pre-assembled component modules for quick installation</li> <li>- Quickly and easily adjustable</li> <li>- Suitable for left and right hand doors for standard mounting on hinge and non-hinge side</li> <li>- Integrated function test button</li> </ul>
Trade	<ul style="list-style-type: none"> <li>- Reduced inventory costs due to modular product range</li> <li>- One single product suitable for a large variety of mounting positions</li> <li>- One single product for both, hinge and non-hinge side</li> </ul>
User	<ul style="list-style-type: none"> <li>- Automatic alarm reset</li> </ul>

Our service for you: here you can see the individual advantages of our door closer models for your respective field of business.

### Specifications for DC700G-S

ASSAABLOY Door Closer DC700 with Cam-Motion® technology, guide rail with electro-mechanical hold-open device and integrated smoke detector. Requires 230 V power supply in compliance with EN1154 / 1155 / 14637

- Closing power adjustable, EN size 3-6, for doors up to 1400 mm wide
- Closing speed, latching speed and backcheck adjustable via front facing regulating valves
- 14 mm height adjustable arm system for ease of fitting
- Standard installation on the hinge and non-hinge sides
- Suitable for left and right handed doors
- Hold-open device continuously adjustable between ca. 80° and 130°
- Hold-open device is traversable
- Integrated smoke detector with contamination indicator and alarm threshold monitoring
- Two ceiling smoke detectors can be connected

### Accessories:

- Mounting plate A132 for guide rail G-S
- Mechanical opening damper A188
- Ceiling smoke detector ORS142 / TDS 247
- Flush-mounted or surface-mounted release button

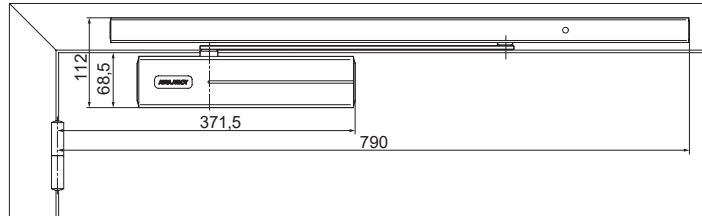
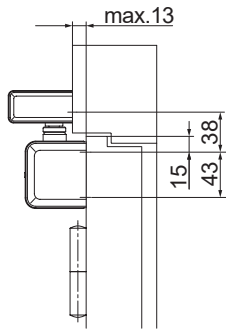
### Colour:

- Silver EV1
- White, similar to RAL9016
- Stainless steel
- Customised finishes available on request

You can find the complete specification on the internet at: [www.assaabloy.de](http://www.assaabloy.de)

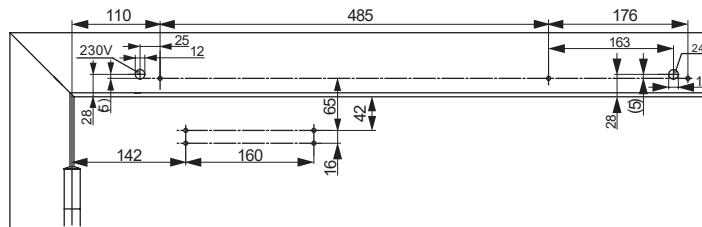
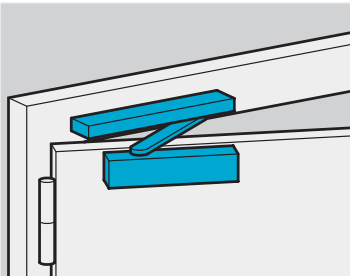
# DC700G-S

## Dimensional drawings and accessories



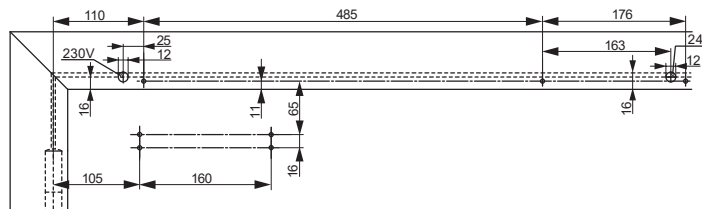
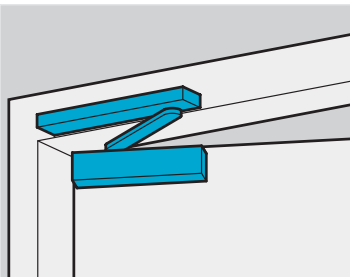
### Required space on doors

Left handed shown in diagram  
Right handed is the reverse



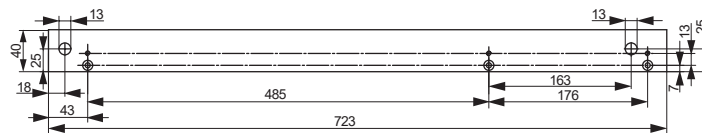
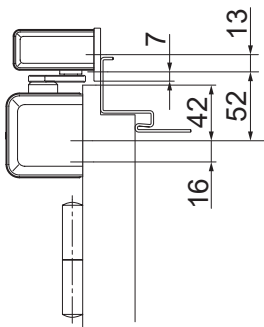
### Installation dimensions with mounting plate for standard mounting on hinge side

In compliance with EN 1154, Supplement 1, or for doors where direct mounting is not possible.  
Left handed shown in diagram  
Right handed is the reverse



### Installation dimensions with mounting plate for standard mounting non hinge side

For doors where direct mounting is not possible  
Right handed door shown in diagram  
Left handed door is the reverse



### Mounting plate A132

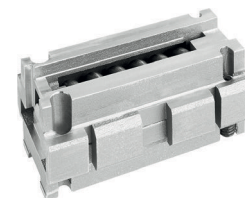
For mounting plate G-S

# DC700G-S

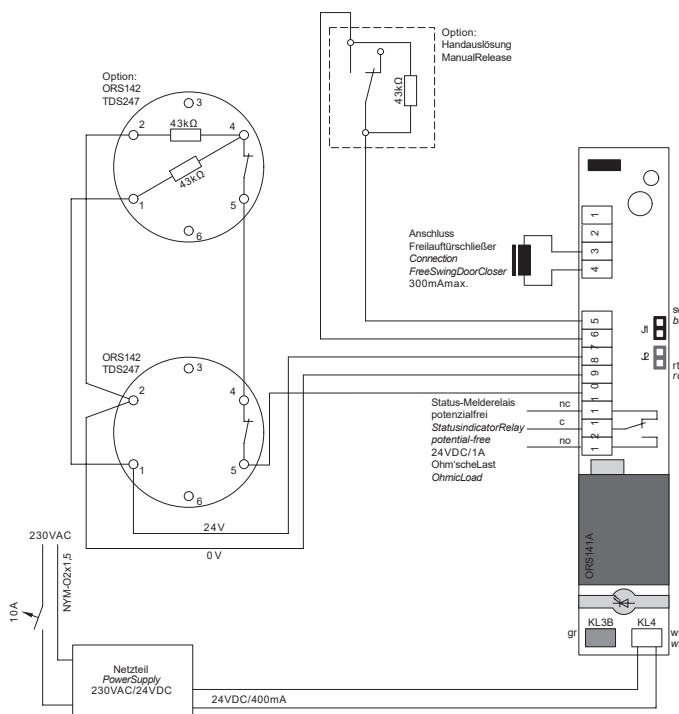
## Accessories and order placement information

### Opening damper A188

Helps to prevent the door and door handle from hitting a return wall. Simple installation in the guide rail, but doesn't replace the need for a door stop



Wiring diagram



Designation/ Item	Order no.
Guide rail with smoke detector, silver EV1	DCG-10-31NDEV1-
Guide rail with smoke detector, white, similar to RAL9016	DCG-10-31ND9016
Guide rail with smoke detector, stainless steel, ASSA ABLOY design	DCG-10-31ND35--
Guide rail with smoke detector, customised finish	DCG-10-31NDXXXX

Designation/ Item	Order no.
Mounting plate A132, silver EV1	DCA132-----EV1-
Mounting plate A132, white, similar to RAL9016	DCA132-----9016
Mounting plate A132, customised finish	DCA132-----XXXX
Opening damper A188	DCA188-----

## DC700G-FM

### Free-Motion® door closer with Cam-Motion® technology and free-swing function



#### ASSA ABLOY DC700G-FM

- Free-Motion® door closer with free-swing function starting from a door opening angle  $\geq 0^\circ$ , and height adjustable guide rail
- DIBt tested as a hold-open system with various smoke detector systems
- Certified in compliance with EN1155/1154, size 3-6
- Suitable for fire and smoke protection doors
- For single action doors up to 1400 mm wide
- Variants for door leaf mounting and frame mounting on hinge side and frame mounting on opposite hinge side
- Fulfills barrier-free building requirements (EA/ CEN TR15894)

#### Characteristics of DC700G-FM

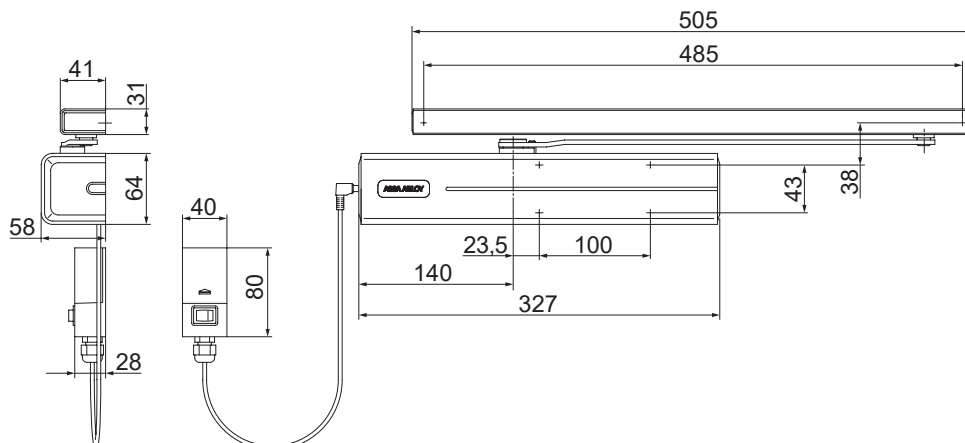
- Easy, initial door opening due to the rapidly decreasing opening force. When active, the free-swing function enables permanent opening of the door without the resistance of the door closer
- The door remains in free-swing mode until the power supply is switched off
- Door leaf and frame mounting on hinge side, DIN left and DIN right doors
- 14 mm height adjustable arm system for ease of fitting
- Closing speed and latching speed adjustable via front facing regulating valves
- Variable adjustable closing force
- Closing speed and latching speed adjustable via front facing regulating valves
- Thermodynamic valves for consistent performance
- Effective latching speed range adjustable
- Standard colours: silver EV1, white similar to RAL9016, stainless steel design
- Customised finishes available on request

#### Characteristics of guide rail G795

- Height-adjustable by 2 mm for tolerance
- Concealed fastening screws



CE	Ablox Oy, PO Box 108 80101 Joensuu Finland	15
	EN1155:1997/A1:2002/AC:2006-02 EN1154:1996/A1:2002/AC:2006-02 0432-CPR-00008-06 Dangerous substances: None	



# DC700G-FM

## Technical attributes

Technical attributes	
Closing force	EN3-6
Door width up to	1400 mm
Suitable for fire doors	Yes
Handing	Left / right handed
Standard mounting, hinge side (model DC700FMB, with connection box)	Yes
Frame mounting, non-hinge (model DC700FM, without connection box)	Yes
Closing speed	Variable between 170°-10°
Latching speed	Variable between 10°-0°
Max. door opening angle	About 170° - mechanically limited
Required power supply	24 V DC
Rated current consumption	Ca. 90 mA
Continuous duty	100%
Class of protection	IP43
Weight	3.6 kg
Height	64 mm
Depth	58 mm
Length	325 mm
Certified in compliance with	EN1155 / 1154
CE marking for building products	Yes

### The advantages at a glance

Customer segment	Advantages
Project planners	<ul style="list-style-type: none"> <li>- Extensive range of uses: Fire and smoke protection doors as well as standard doors</li> <li>- Modern design</li> <li>- Compact design</li> <li>- Fulfills barrier-free building requirements (EA / CENTR 15894)</li> <li>- Same dimensions and design with and without mounting plate</li> <li>- Comprehensive functions, standard and optional</li> <li>- For doors with door width up to 1400 mm</li> </ul>
Builders	<ul style="list-style-type: none"> <li>- One drilling template overall</li> <li>- Adjustable to nearly all door and frame types</li> <li>- Quick and easy installation</li> <li>- Quickly and easily adjustable</li> <li>- Suitable for left and right handed doors for standard and frame mounting on hinge side</li> <li>- Connection box can be concealed or surface mounted</li> <li>- For doors with door width up to 1400 mm</li> </ul>
Trade	<ul style="list-style-type: none"> <li>- Reduced inventory costs due to modular product range</li> <li>- Complementary accessories available for the whole product range</li> </ul>
User	<ul style="list-style-type: none"> <li>- Free-swing function starting from door opening angle <math>\geq 0^\circ</math>. Easy door opening without the resistance of the door closer, is approved for use on fire doors</li> <li>- Easier door opening and improved accessibility due to rapidly decreasing torque</li> <li>- Largely unaffected by temperature fluctuations thanks to thermodynamic valves</li> </ul>

### Specifications for DC700G-FM

ASSAABLOY Free-Motion® door closer with Cam-Motion® technology, free-swing function starting from a door opening angle  $\geq 0^\circ$ , with free-swing guide rail according to EN1155

- Closing power adjustable, EN size 3-6, for doors up to 1400 mm wide
- Fulfills barrier-free building requirements (EA/ CENTR 15894)
- Closing speed and Latch adjustable from the front
- Can be used with mounting plate for fire and smoke protection doors
- CE approved
- DIN left and DIN right for door leaf mounting and frame mounting on hinge side
- Cable routing between junction box and door leaf mounting
- 14 mm height adjustable arm system for ease of fitting

### Accessories:

- Free-swing guide rail G795
- Mounting plate A120
- Mounting plate A130 for guide rail G795
- Smoke detector station RZ100
- Ceiling smoke detector ORS142 / TDS247
- Flush-mounted or surface-mounted release button
- Mechanical opening damper A153
- Connection box A189

### Colour:

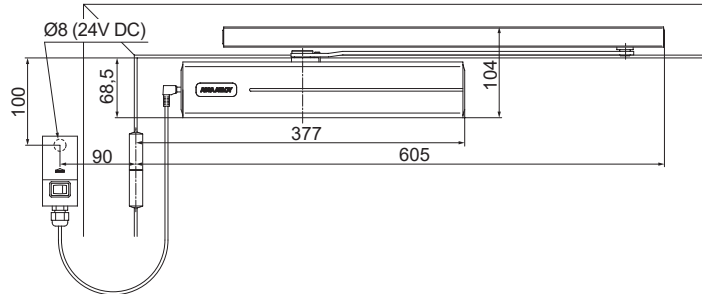
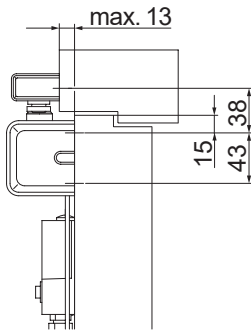
- Silver EV1
- White, similar to RAL9016
- Brown, similar to RAL8014
- Black, similar to RAL9005
- Stainless steel
- Customised finishes available on request

Our service for you: here you can see the individual advantages of our door closer models for your respective field of business.

You can find the complete specification on the internet at: [www.assaabloy.de](http://www.assaabloy.de)

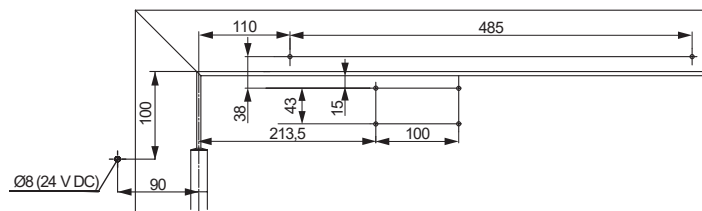
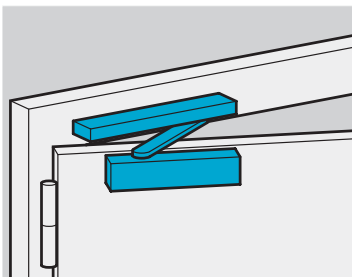
# DC700G-FM

## Dimensional drawings



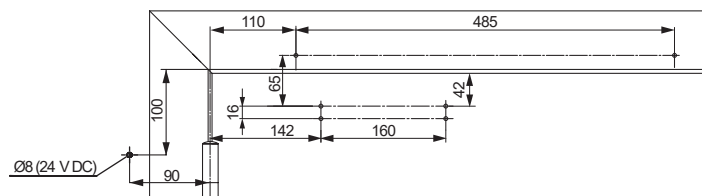
Space required on doors for standard installation on hinge side

Left handed shown in diagram  
Right handed is the reverse



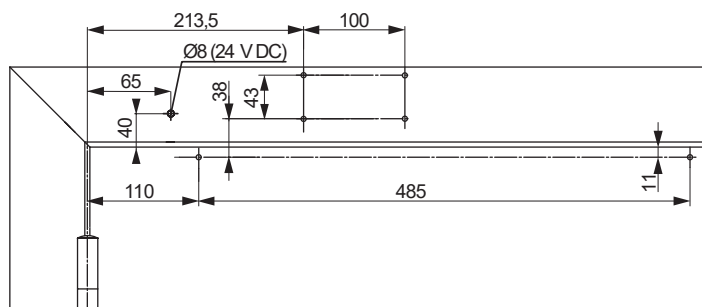
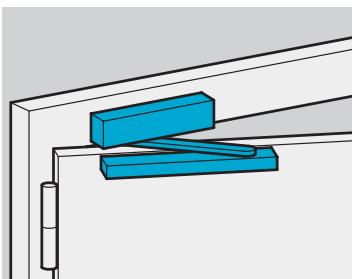
Installation dimensions for direct standard mounting on hinge side

Left handed shown in diagram  
Right handed is the reverse



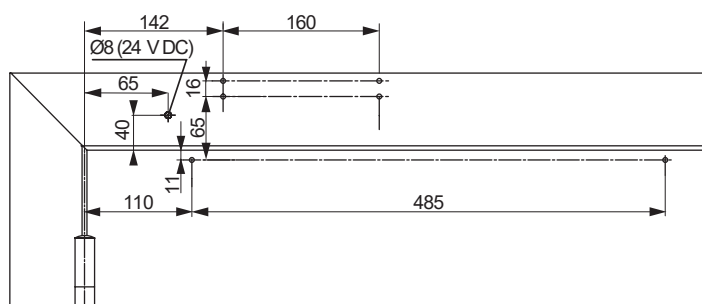
Installation dimensions with mounting plate for standard mounting on hinge side

In compliance with EN 1154, Supplement 1, or for doors where direct mounting is not possible.  
Left handed shown in diagram  
Right handed is the reverse



Installation dimensions for direct frame mounting on hinge side

Closer on hinge side of door frame.  
Left handed shown in diagram  
Right handed is the reverse

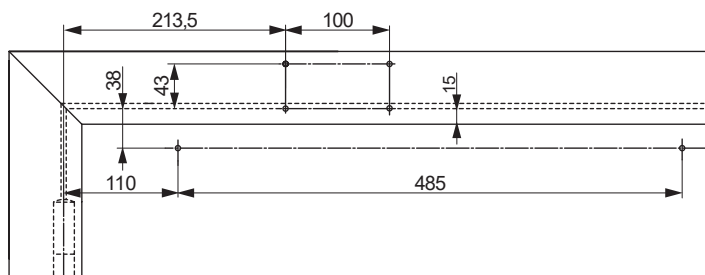
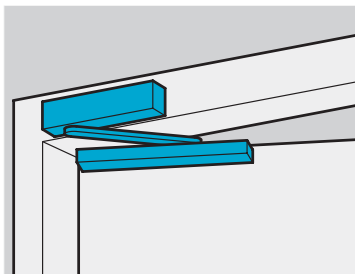


Installation dimensions with mounting plate for frame mounting on hinge side

Closer on hinge side of door frame. For doors where direct mounting is not possible.  
Left handed shown in diagram  
Right handed is the reverse

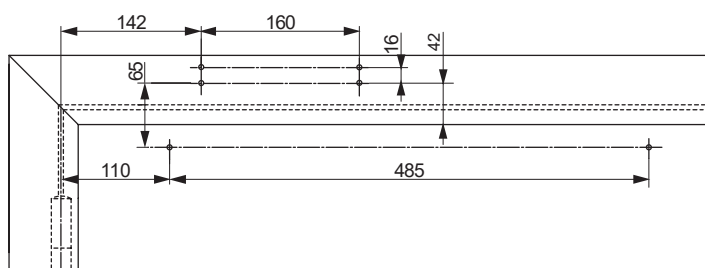
# DC700G-FM

## Dimensional drawings and accessories



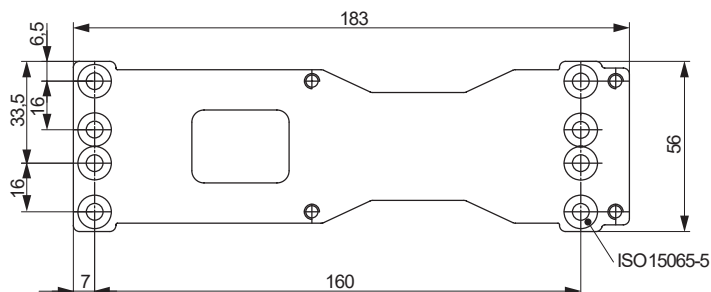
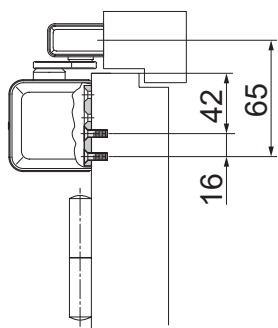
Installation dimensions when mounted directly onto the frame non-hinge side

Closer on non-hinge side of door frame  
Right handed door shown in diagram  
Left handed door is the reverse



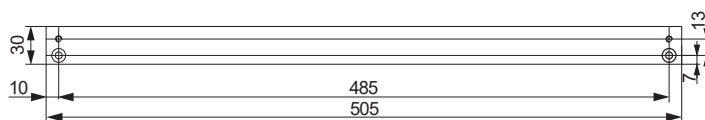
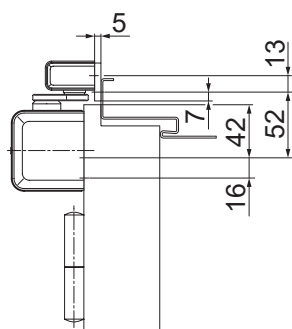
Installation dimensions with mounting plate for frame mounting non-hinge side

Closer on non-hinge side of door frame. For doors where direct mounting is not possible.  
Right handed door shown in diagram  
Left handed door is the reverse



Mounting plate A120

For mounting with drilling template acc. to EN 1154 Supplement 1 and for universal use



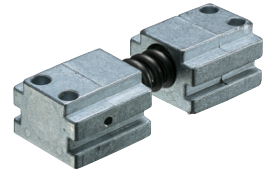
Mounting plate A130

For guide rail G193, G195 and G795



### Opening damper A153

Helps to prevent the door and door handle from hitting a return wall.  
Simple fitting into guide rail.  
Opening damper continuously adjustable up to an opening angle of max. 130°.  
Does not replace a door stop.



### Flush-mounted release button 1317-10

Flush-mounted interrupter pushbutton with red actuator field, labelled „Close door“. For controlling fail-unlocked components, such as holding magnets and fail-unlocked strikes, and as a manual switch / control for arrester systems. Changeover contact switch



### Surface-mounted release button 1316-10

Surface-mounted interrupter pushbutton with red actuator field, labelled „Close door“. For controlling fail-unlocked components, such as holding magnets and fail-unlocked strikes, and as a manual switch / control for arrester systems. Changeover contact switch.



### Notice

According to local laws/requirements, an external release button is mandatory for free-swing door closers with hold open devices

Designation / Item	Order no.	Designation / Item	Order no.
Free-Motion® door closer, door leaf mounting with cable and connection box, EN size 3-6, silver EV1	DC700FMB--DEV1-	Free-Motion® guide rail G795, silver EV1	DCG795----DEV1-
Free-Motion® door closer, door leaf mounting with cable and connection box, EN size 3-6, white, similar to RAL9016	DC700FMB--D9016	Free-Motion® guide rail G795, white, similar to RAL9016	DCG795----D9016
Free-Motion® door closer, door leaf mounting with cable and connection box, EN size 3-6, stainless steel	DC700FMB--D35--	Free-Motion® guide rail G795, stainless steel	DCG795----D35--
Free-Motion® door closer, door leaf mounting with cable and connection box, EN size 3-6, customised finish	DC700FMB--DXXXX	Free-Motion® guide rail G795, customised finish	DCG795----DXXXX
Free-Motion® door closer, frame mounting, EN size 3-6, silver EV1	DC700FM---DEV1-	Mounting plate A120, galvanised	DCA120-----40
Free-Motion® door closer, frame mounting, EN size 3-6, white, similar to RAL9016	DC700FM---D9016	Mounting plate A130, silver EV1	DCA130-----EV1-
Free-Motion® door closer, frame mounting, EN size 3-6, stainless steel	DC700FM---D35--	Mounting plate A130, white, similar to RAL9016	DCA130-----9016
Free-Motion® door closer, frame mounting, EN size 3-6, customised finish	DC700FM---DXXXX	Mounting plate A130, customised finish	DCA130-----XXXX
		Opening damper A153	DCA153-----
		Interrupter push-buttons 1316-10, surface-mounted 1316-10	1316-10-----00
		Interrupter push-buttons 1317-10, flush-mounted	1317-10-----00
		Connection box A189	DCA189-----

## DC700G-FMS

Free-Motion® door closer with Cam-Motion® technology, free-swing function and integrated smoke detector



### ASSA ABLOY DC700G-FMS

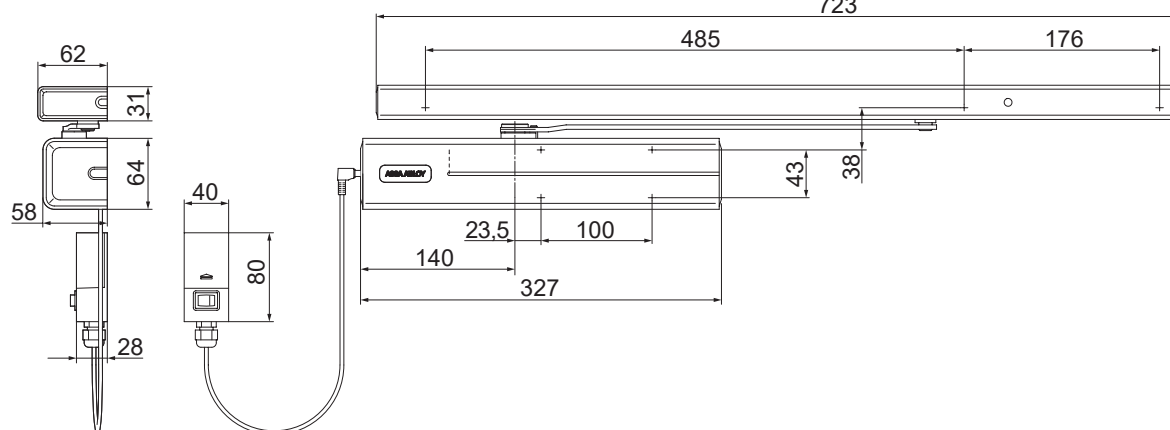
- Free-Motion® door closer with freewheel function, starting from a door release angle  $\geq 0^\circ$  and smoke detectors for single-leaf doors
- DIBt asa hold-open system Z-6.5-2166
- Smokeswitch with contamination indicator and alarm threshold monitoring
- Integrated 230 V AC power supply
- All components fully integrated into guide rail
- Fulfills barrier-free building requirements (EA/ CEN TR15894)
- Suitable for fire and smoke protection doors up to 1400 mm

### Characteristic of DC700G-FMS

- Easy, initial door opening due to the rapidly decreasing opening force. When active, the free-swing function enables permanent opening of the door without the resistance of the door closer
- The door can be moved freely and, in case of a fire only, is closed automatically by the integrated smoke detector with the disconnection of the supply voltage.
- Optical smoke detector according to the scattered light principle, status indication by LED: operating mode, alarm, error
- Connection possibility for manual release button – mandatory according to the DIBt approval in Germany – and additional smoke detector
- Normal installation on the hinge side, can be used for DIN left and DIN right-handed doors
- 14 mm height adjustable arm system for ease of fitting
- Closing speed and latching speed adjustable via front facing regulating valves
- Variable adjustable closing force
- Thermodynamic valves for consistent performance
- Effective latching speed range adjustable
- Standard colours: silver EV1, white similar to RAL9016, stainless steel design
- Customised finishes available on request



CE	Abloy Oy, PO Box 108 80101 Joensuu Finland		15
	EN1155:1997/A1:2002/AC:2006-02 EN1154:1996/A1:2002/AC:2006-02 0432-CPR-00008-06 Dangerous substances: None		



# DC700G-FMS

## Technical attributes

Technical attributes	
Required power supply	230 V supply voltage
Rated current consumption	Ca. 100 mA
Continuous duty	100%
Class of protection	IP20
Weight	3.6 kg
Height	30 mm
Depth	61 mm
Length	724 mm
Suitable for fire doors	Yes
Max. door opening angle	ca. 170°
General DIBt inspection authorities as a hold open arm	Z-6.5-2166

### The advantages at a glance

Customer segment	Advantages
Project planners	<ul style="list-style-type: none"> <li>- Extensive range of uses</li> <li>- Modern design</li> <li>- Compact design</li> <li>- Fulfills barrier-free building requirements (EA / CENTR15894)</li> <li>- Same dimensions and design with and without mounting plate</li> <li>- For doors with adoor width up to 1400 mm</li> </ul>
Builders	<ul style="list-style-type: none"> <li>- One drilling template overall</li> <li>- Adjustable to nearly all door and frame types</li> <li>- Quickly and easily adjustable</li> <li>- Can be used for left and right handed doors for standard mounting on hinge side</li> <li>- Connection box can be concealed or surface mounted</li> <li>- For doors with adoor width up to 1400 mm</li> <li>- Pre-assembled component modules for quick installation</li> <li>- Integrated function test button</li> </ul>
Trade	<ul style="list-style-type: none"> <li>- Reduced inventory costs due to modular product range</li> <li>- Complementary accessories available for the whole product range</li> </ul>
User	<ul style="list-style-type: none"> <li>- Free-swing function starting from adoor opening angle <math>\geq 0^\circ</math>. Easy door opening without the resistance of the door closer, is approved for use on fire doors</li> <li>- Easier door opening and improved accessibility due to rapidly decreasing torque</li> <li>- Automatic alarm reset</li> </ul>

Our service for you: here you can see the individual advantages of our door closer models for your respective field of business.

### Specifications for DC700G-FMS

ASSAABLOY Free-Motion® door closer with Cam-Motion® technology, free-swing function starting from a door opening angle  $\geq 0^\circ$ , with integrated smoke detector and power supply 230 V AC in compliance to EN1155

- Closing power adjustable, EN size 3-6, for doors up to 1400 mm wide
- Fulfills barrier-free building requirements (EA/ CEN TR15894)
- Closing speed and Latch adjustable from the front
- Can be used with mounting plate for fire and smoke protection doors
- CE approved
- Can be used for left and right handed doors for standard mounting on hinge side
- Cable routing between junction box and leaf mounting
- 14 mm height adjustable arm system for ease of fitting
- Smoke detector with contamination indicator and alarm threshold monitoring
- Two smoke protection detector connectable

### Accessories:

- Mounting plate A132 for guide rail G-FMS
- Ceiling smoke detector ORS142 / TDS 247
- Flush-mounted or surface-mounted release button
- Mechanical opening damper A188

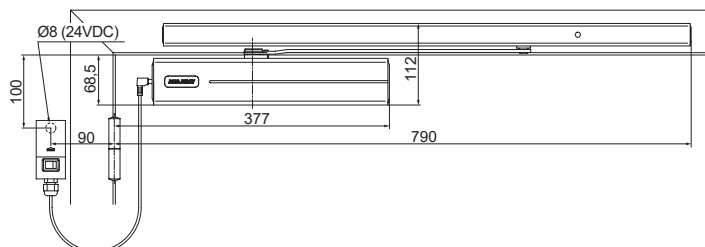
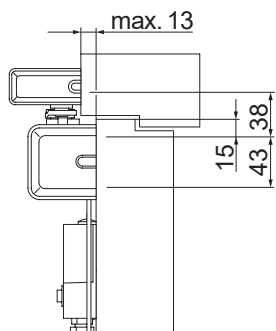
### Colour:

- Silver EV1
- White, similar to RAL9016
- Stainless steel
- Customised finishes available on request

You can find the complete specification on the internet at: [www.assaabloy.de](http://www.assaabloy.de)

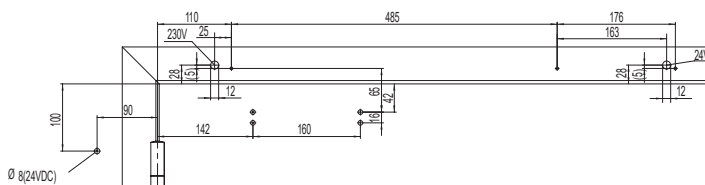
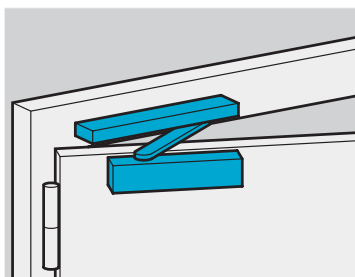
# DC700G-FMS

## Dimensional drawings and accessories



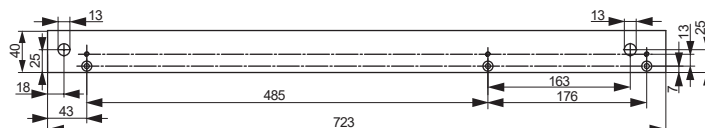
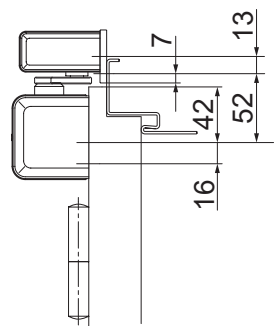
Space required on doors for standard installation on hinge side

Left handed shown in diagram  
Right handed is the reverse



Stop collar dimensions with hinge-side mounting plate

In compliance with EN 1154, Supplement 1, or for doors where direct mounting is not possible.  
Left handed shown in diagram  
Right handed is the reverse

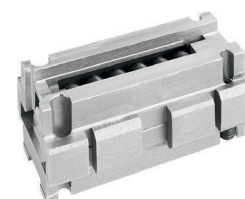


Mounting plate A132

For guide rail G-FMS.

### Opening damper A188

Helps to prevent the door and door handle from hitting a return wall.  
Simple installation in the guide rail, but doesn't replace the need for a door stop



### Flush-mounted releasebutton 1317-10

Flush-mounted interrupter pushbutton with red actuator field, labelled „Close door“. For controlling fail-unlocked components, such as holding magnets and fail-unlocked strikes, and as a manual switch / control for arrester systems. Changeover contact switch



### Surface-mounted releasebutton 1316-10

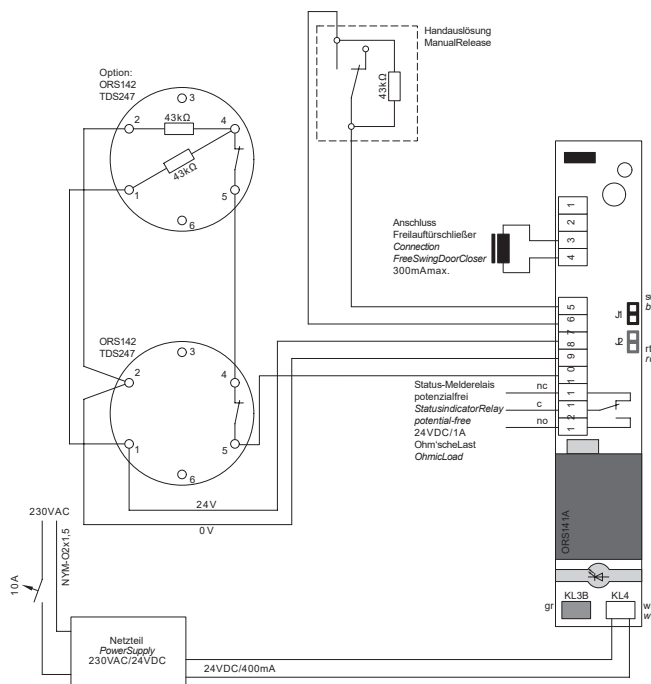
Surface-mounted interrupter pushbutton with red actuator field, labelled „Close door“. For controlling fail-unlocked components, such as holding magnets and fail-unlocked strikes, and as a manual switch / control for arrester systems. Changeover contact switch.



### Notice

According to local laws/requirements, an external releasebutton is mandatory for free-swing door closers with hold open devices

Wiring diagram



Designation/ Item	Order no.	Designation/ Item	Order no.
Free-Motion® guide rail with smokedetector, silver EV1	<b>DCG-10-50-DEV1-</b>	Mounting plate A132, white, similar to RAL9016	<b>DCA132-----9016</b>
Free-Motion® guide rail with smokedetector, white similar to RAL9016	<b>DCG-10-50-D9016</b>	Mounting plate A132, customised finish A132	<b>DCA132-----XXXX</b>
Free-Motion® guide rail with smokedetector, stainlesssteel	<b>DCG-10-50-D35--</b>	Opening damper A188	<b>DCA188-----</b>
Free-Motion® guide rail with smokedetector, customised finish	<b>DCG-10-50--XXXX</b>	Interrupter push-buttons 1316-10, surface-mounted	<b>1316-10-----00</b>
Mounting plate A132, silver EV1	<b>DCA132-----EV1-</b>	Interrupter push-buttons 1317-10, flush-mounted	<b>1317-10-----00</b>
		Ceiling mounted smoke detector RZ101/ORS142 with base, white, similar to RAL9010	<b>DCRZ101-----9010</b>

## DC700G-FMS-K

Free-Motion® compact door closer with Cam-Motion® technology, free-swing function and integrated smoke dedector, frame mounting hinge side



### ASSAABLOY DC700G-FMS-K

- ASSAABLOY compact Free-Motion® door closer, free-swing function starting from a door opening angle  $\geq 0^\circ$ , with integrated smoke detector and power supply, in compliance to EN1155
- DIBt asa hold-open system Z-6.5-2166
- Smokeswitch with contamination indicator and alarm threshold monitoring
- Integrated 230 V AC power supply
- All components integrated in the door closer housing
- Fulfils barrier-free-requirement (EA/ CENTR15894)
- Suitable for fire and smoke protection doors up to 1400 mm

### Characteristic of DC700G-FMS-K

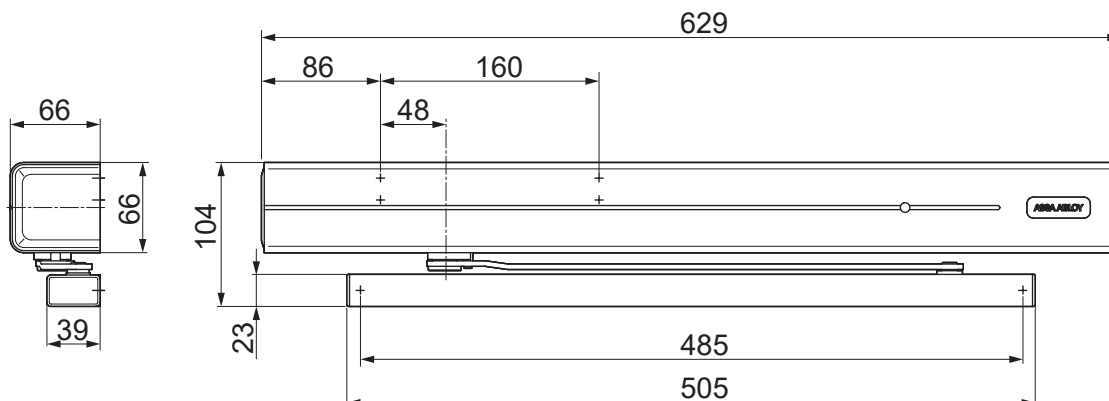
- Easy, initial door opening due to the rapidly decreasing opening force. When active, the free-swing function enables permanent opening of the door without the resistance of the door closer
- The door can be moved freely and, in case of a fire only, is closed automatically by the integrated smoke detector with the disconnection of the supply voltage.
- Optical smoke detector after scattered light principle, status display on LED: operational mode, alarm, maintenance
- Integrated power supply 230V AC
- Connection possibility for manual release button – mandatory according to the DIBt approval in Germany – and additional smoke detector
- Frame installation hinge side, for left and right handed doors
- 14 mm height adjustable arm system
- Closing speed and latching speed adjustable via front facing regulating valves
- Variable adjustable closing force
- Thermodynamic valves for consistent performance
- Effective latching speed range adjustable
- Standard colours: silver EV1, white similar to RAL9016, stainless steel design
- Customised finishes available on request



CE	Abloy Oy, PO Box 108 80101 Joensuu Finland	3	8	6	3	1	3	15
	EN1155:1997/A1:2002/AC:2006-02 EN1154:1996/A1:2002/AC:2006-02 0432-CPR-00008-06							
DC700G-FM		Dangerous substances: None						

### Characteristics of guide rail G795

- Height-adjustable by 2 mm for tolerance
- Concealed fastening screws



# DC700G-FMS-K

## Technical attributes

Technical attributes	
Closing force	EN3-6
Door width up to	1400 mm
Handing	Left / right handed
Closing speed	Variable between 170°-10°
Latching speed	Variable between 10°-0°
Max. door opening angle	About 170° - mechanically limited
Required power supply	230 V supply voltage
Rated current consumption	Ca. 100 mA
Continuous duty	100 %
Class of protection	IP20
Weight	4.0 kg
Height	66 mm
Depth	66 mm
Length	629 mm
Suitable for fire doors	Yes
Certified in compliance with	EN1155
General DIBt inspection authorities approval as a hold-open arm	Z-6.5-2166

### The advantages at a glance

Customer segment	Advantages
Project planners	<ul style="list-style-type: none"> <li>- Extensive range of uses for fire and smoke protection doors as well as standard doors</li> <li>- Modern design</li> <li>- Compact design</li> <li>- Fulfills barrier-free building requirements (EA / CENTR15894)</li> <li>- Comprehensive functions, standard and optional</li> <li>- For doors with a door width up to 1400 mm</li> </ul>
Builders	<ul style="list-style-type: none"> <li>- Quick and easy installation</li> <li>- Quickly and easily adjustable</li> <li>- Can be used for left and right handed doors for direct frame installation on hinge side</li> <li>- For doors with a door width up to 1400 mm</li> <li>- Pre-assembled component modules for quick installation</li> <li>- Integrated function test button</li> </ul>
Trade	<ul style="list-style-type: none"> <li>- Reduced inventory costs due to modular product range</li> <li>- Complementary accessories available for the whole product range</li> </ul>
User	<ul style="list-style-type: none"> <li>- Free-swing function starting from a door opening angle <math>\geq 0^\circ</math>. Easy door opening without the resistance of the door closer, is approved for use on fire doors</li> <li>- Largely unaffected by temperature fluctuations thanks to thermodynamic valves</li> <li>- Easier door opening and improved accessibility due to rapidly decreasing torque</li> <li>- Automatic alarm reset</li> </ul>

Our service for you: here you can see the individual advantages of our door closer models for your respective field of business.

### Specifications for DC700G-FMS-K

ASSAABLOY compact Free-Motion® door closer with Cam-Motion® technology, free-swing function starting from a door opening angle  $\geq 0^\circ$ , with integrated smoke detector and power supply, in compliance to EN1155

- Closing power adjustable, EN size 3-6, for doors up to 1400 mm wide
- Fulfills barrier-free building requirements (EA/ CEN TR15894)
- Closing speed and Latch adjustable from the front
- Can be used for left and right handed doors for direct frame installation on hinge side
- 14 mm height adjustable arm system for ease of fitting
- Smoke detector with contamination indicator and alarm threshold monitoring
- Two smoke protection detector connectable

### Accessories:

- Free-swing guide rail G795
- Ceiling smoke detector ORS142 / TDS 247
- Flush-mounted or surface-mounted release button
- Mechanical opening damper A153

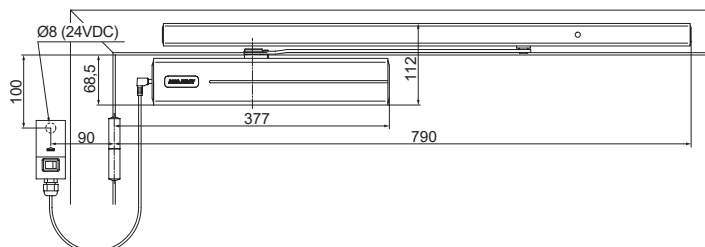
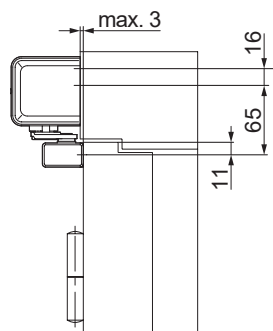
### Colour:

- Silver EV1
- White, similar to RAL9016
- Stainless steel
- Customised finishes available on request

You can find the complete specification on the internet at: [www.assaabloy.de](http://www.assaabloy.de)

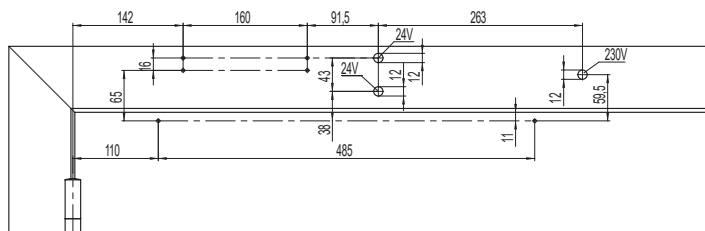
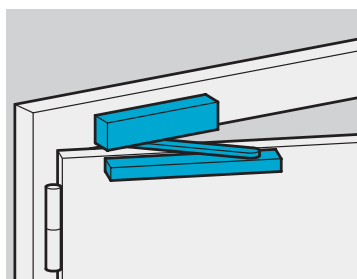
# DC700G-FMS-K

## Dimensional drawings and accessories



Space required on doors for hingesidelintel fitting

Left handed shown in diagram  
Right handed is the reverse

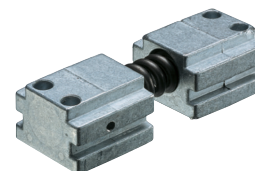


Installation dimensions for frame mounting on hinge side

Left handed shown in diagram  
Right handed is the reverse

### Opening damper A153

Helps to prevent the door and door handle from hitting a return wall. Simple fitting into guide rail. Opening damper continuously adjustable up to an opening angle of max. 130°. Does not replace a door stop.



### Flush-mounted releasebutton 1317-10

Flush-mounted interrupter pushbutton with red actuator field, labelled „Close door“. For controlling fail-unlocked components, such as holding magnets and fail-unlocked strikes, and as a manual switch / control for arrester systems. Changeover contact switch



### Surface-mounted releasebutton 1316-10

Surface-mounted interrupter pushbutton with red actuator field, labelled „Close door“. For controlling fail-unlocked components, such as holding magnets and fail-unlocked strikes, and as a manual switch / control for arrester systems. Changeover contact switch.

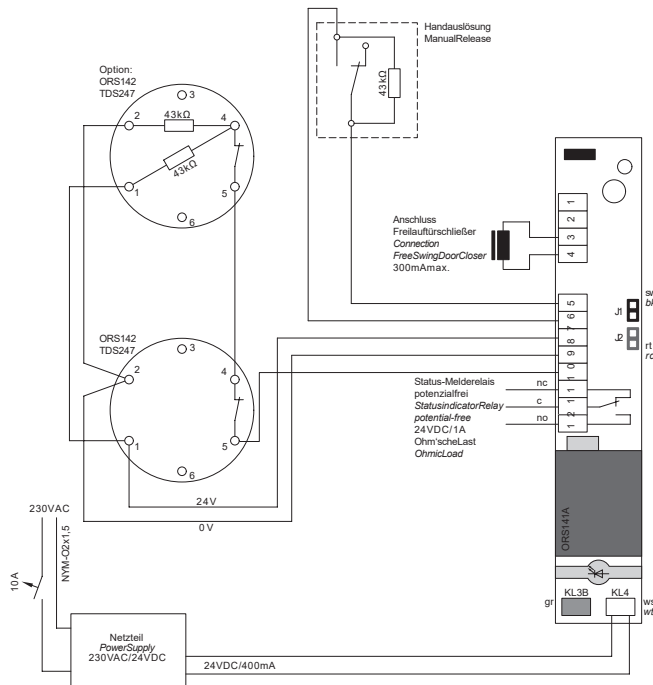


### Notice

According to local laws/requirements, an external releasebutton is mandatory for free-swing door closers with hold open devices



Wiring diagram



Designation/ Item	Order no.	Designation/ Item	Order no.
Free-Motion® compact door closer, for direct frame mounting, hinge side, size 3-6, silver EV1	DC700FMSK-DEV1-	Free-Motion® guide rail G795, white, similar to RAL9016	DCG795----D9016
Free-Motion® compact door closer, for direct frame mounting, hinge side, size 3-6, white similar to RAL9016	DC700FMSK-D9016	Free-Motion® guide rail G795, stainlesssteel	DCG795----D35--
Free-Motion® compact door closer, for direct frame mounting, hinge side, size 3-6, stainlesssteel	DC700FMSK-D35--	Free-Motion® guide rail G795, customised finish	DCG795----XXXX
Free-Motion® compact door closer, for direct frame mounting, hinge side, size 3-6, customised finish	DC700FMSK-DXXXX	Opening damper A153	DCA153-----
Free-Motion® guide rail G795, silver EV1	DCG795----DEV1-	Interrupter push-buttons 1316-10, surface-mounted	1316-10-----00
		Interrupter push-buttons 1317-10, flush-mounted	1317-10-----00
		Ceiling mounted smokedetector RZ101/ORS142 with base, white, similar to RAL9010	DCRZ101----9010

## DC700G-CM

# Door closer with Cam-Motion® technology and integrated Close-Motion® element



### ASSAABLOYDC700G-CM

- Door closer with Cam-Motion® technology, extended mounting plate and integrated Close-Motion® element for safe and noiseless closing
- The door can be pulled closed safely and quietly from an angle of  $\leq 10^\circ$
- Suitable for retrofitting on fire doors and smoke control doors and fastening using drilling template in accordance with DIN EN1154, supplementary sheet 1:2003-11
- Suitable for fire and smoke protection doors with tamper protection
- Tested as a whole element in accordance with EN 1154, size 3-6
- For single action doors up to 1400 mm wide
- Tested according to EN1155 and EN1158 (CE certificates applied for)

### Characteristics of DC700G-CM

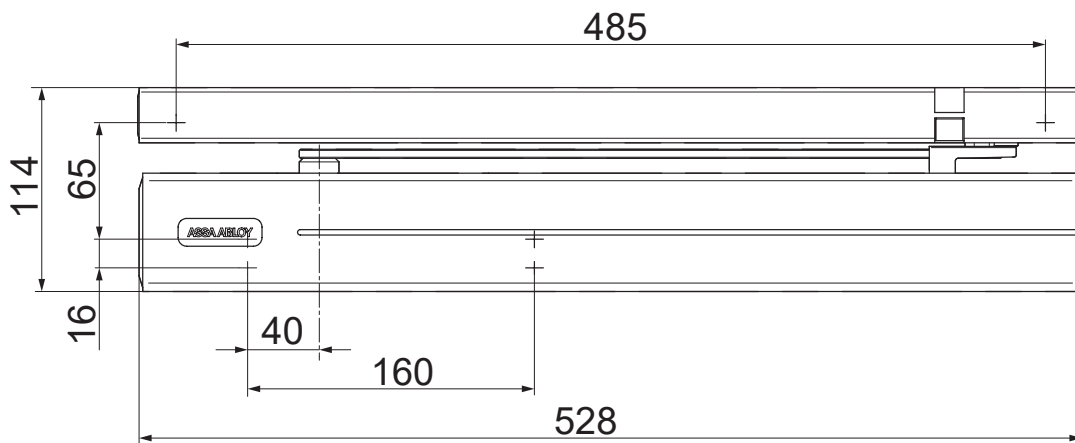
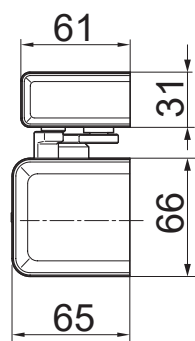
- Integrated Close-Motion® element in extended closer housing
- Close-Motion® element with horizontal and vertical adjustment
- Optional tamper protection, installation without dismantling function elements
- Standard installation on hinge side
- Can be used for left and right-handed doors
- 14 mm height adjustable arm system for ease of fitting
- Closing speed and latching speed continuously adjustable from front
- Variable adjustable closing force
- Opening angle up to  $170^\circ$
- Thermodynamic valves for consistent speed
- Standard colours: Silver EV1, stainless steel design



CE	ASSA ABLOY Sicherheitstechnik GmbH Bildstockstraße 20 72458 Albstadt			16			
	DC700G-CM				EN1154:1996/A1:2002/AC:2006 1121-CPR-AD5313	3	8
Dangerous substances: None							

### Characteristics of G150

- Close-Motion® control curve integrated in the guide rail
- Drilling template of the standard guide rails from ASSAABLOY can be used
- Height-adjustable by 2 mm for tolerance
- Concealed fastening screws



# DC700G-CM

## Technical attributes

Technical attributes	
Closing force	Variable adjustable EN3-6
Door width up to	1400 mm
Suitable for fire doors	Yes
Handing	Left / right handed
Mounting method	Standard installation on hinge side
Closing speed	Variable between 170°-10°
Latching speed	Variable between 10°-0°
Backcheck	Variable above 75°
Max. door opening angle hinge side	ca. 170°
Certified in compliance with	EN1154 EN1155* EN1158*
CE marking for building products	Yes
Weight	5.9 kg
Dimension door closer	528 x 66 x 66 mm
Dimension guide rail	528 x 30 x 61 mm
<b>Close-Motion® unit</b>	
Support when closing	Yes
Damping when closing	Yes
Suitable for fire doors	Yes, with tamper protection
Handing	Left / right handed
Tamper protection	Left / right handed

\*CE certificate applied for

### The advantages at a glance

Customer segment	Advantages
Project planners	<ul style="list-style-type: none"> <li>- Integrated Close-Motion® element</li> <li>- Solution for challenging door situations (e.g. interlocks)</li> <li>- Extensive range of uses</li> <li>- Compact design</li> <li>- Modern design</li> <li>- For doors with a door width up to 1400 mm</li> </ul>
Builders	<ul style="list-style-type: none"> <li>- Suitable for retrofitting using drilling template in accordance with DIN EN1154, supplementary sheet 1</li> <li>- Pre-assembled component modules for quick and easy installation</li> <li>- Can be used for left and right handed doors for standard mounting on hinge side</li> <li>- For doors with a door width up to 1400 mm</li> </ul>
Trade	
User	<ul style="list-style-type: none"> <li>- The door can be closed safely and silently</li> <li>- Minimized danger of fingers being crushed when the door closes</li> <li>- Optional: Tamper protection to prevent blocking of functional elements</li> </ul>

Our service for you: here you can see the individual advantages of our door closer models for your respective field of business.

You can find the complete specification on the internet at: [www.assaabloy.de](http://www.assaabloy.de)

### Specifications DC700G-CM

ASSAABLOY door closer with Cam-Motion® technology, extended mounting plate and integrated Close-Motion® element; guide rail with Close-Motion® control curve.

- Closing power adjustable, EN size 3-6, for doors up to 1400 mm wide
- Door closer DC700 tested in accordance with DIN EN1154, with CEMark
- Closing speed, latching speed and backcheck continuously adjustable
- 14 mm height adjustable arm system for ease of fitting
- Suitable for fire and smoke protection doors
- Suitable for left and right handed doors
- Close-Motion® element horizontal (± 6mm) and vertical (± 5 mm) adjustable

### Accessories:

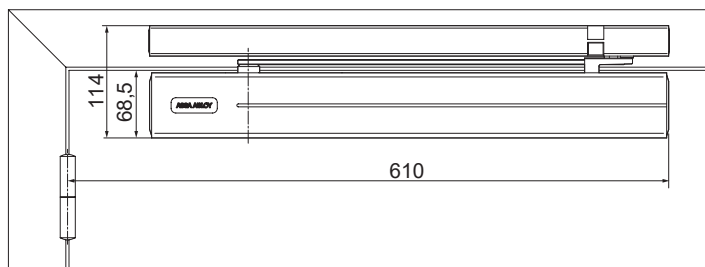
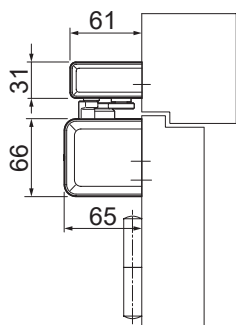
- Mounting plate A131
- Mechanical opening damper A188
- Mech. hold-open device A158 (not for fire and smoke protection doors)
- Tamper protection M220 / M225
- Adapter plate A230 / A240 / A250 / A260

### Colour:

- Silver EV1
- Stainless steel design

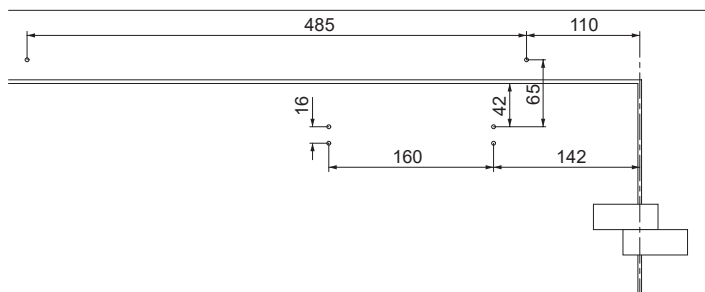
# DC700G-CM

## Dimensional drawings and accessories



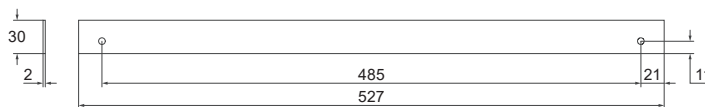
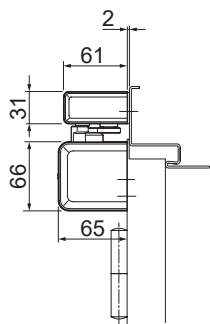
Spacerequired on doors for standard installation on hinge side

Left handed door shown in diagram  
Right handed door is the reverse



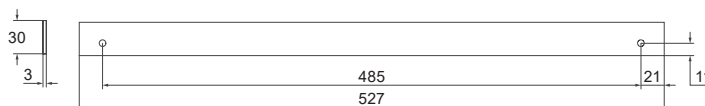
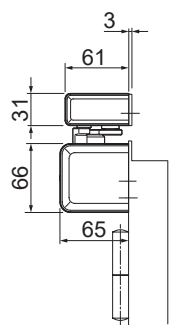
Installation dimensions for direct standard mounting on hinge side

Right handed door shown in diagram  
Left handed door is the reverse



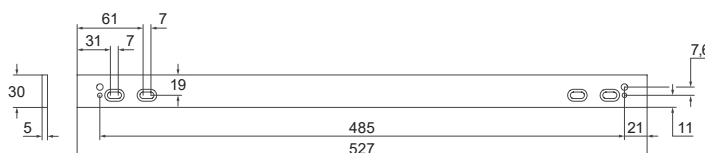
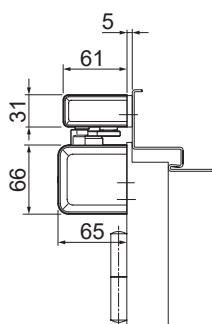
Adapter plate A230 / 2 mm

For mounting the guide rail to rabated doors  
Combination with A240, A250, A260 possible



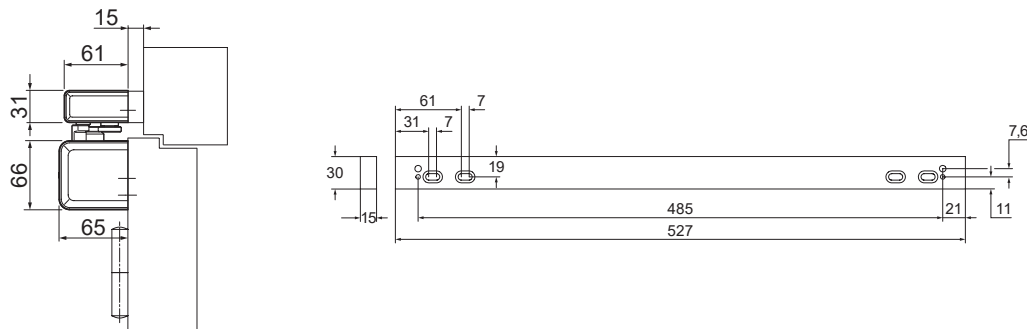
Adapter plate A240 / 3 mm

For mounting the guide rail to rabated doors  
Combination with A230, A250, A260 possible



Adapter plate A250 / 5 mm

For mounting the guide rail to rabated doors  
Combination with A230, A240, A260 possible



### Adapter plate A260 / 15 mm

For mounting the guide rail to rabated doors  
Combination with A230, A240, A250 possible

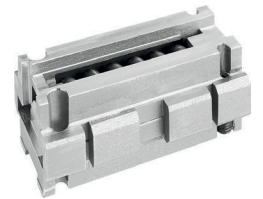
### Mechanical Hold-Open Device A158

Mechanical hold-open device for temporarily holding doors open  
Doors held open at an opening angle of 130° hinge side  
Continuously adjustable holding force  
Not approved for use on fire and smoke protection doors



### Opening damper A188

Helps to prevent the door and door handle from hitting a return wall.  
Simple installation in the guide rail, but doesn't replace the need for a door stop



Designation/ Item	Order no.	Designation/ Item	Order no.
DC700G-CM, ENsize 3-6, silver EV1	<b>DC700CM---DEV1-</b>	Tamper protection M225,galvanized	<b>DCM225-----40</b>
DC700G-CM, ENsize 3-6, stainlesssteel design	<b>DC700CM---D35--</b>	Adapter plate A230, 2 mm, stainlesssteel	<b>DCA230-----35--</b>
Guide rail G150, silver EV1	<b>DCG150----DEV1-</b>	Adapter plate A240, 3 mm, stainlesssteel	<b>DCA240-----35--</b>
Guide rail G150, stainlesssteel	<b>DCG150----D35--</b>	Adapter plate A250, 5 mm, silver EV1	<b>DCA250-----EV1-</b>
Mounting plate A131, silver EV1	<b>DCA131-----EV1-</b>	Adapter plate A260, 15 mm, silver EV1	<b>DCA260-----EV1-</b>
Mounting plate A131, white, similar to RAL9016	<b>DCA131-----9016</b>	Mechanical Hold-Open Device A158	<b>DCA158-----</b>
Tamper protection M220,galvanized	<b>DCM220-----40</b>	Opening damper A188	<b>DCA188-----</b>

# DC700G-FT

## Security door closer with Cam-Motion® technology, integrated latch bolt and escapedoor strike



### ASSAABLOY DC700G-FT

- ASSAABLOY door closer with Cam-Motion® technology, extended mounting plate and integrated latch bolt, extended guide rail with integrated escape door strike
- Suitable for retrofit to fire doors with guide rail door closers and fastening using drilling template acc. to DIN EN1154, Supplementary Sheet 1:2003-11
- Suitable for fire and smoke protection doors
- Certified in compliance with EN1154, size 3-6
- Escapedoor strike 332®, tested in compliance with the guideline for electrical locking systems for doors along escape routes
- For single leaf doors, doors between 850 - 1200 mm wide

### Characteristic of DC700G-FT

- Integrated escapedoor strike 332® in extended guide rail
- Integrated latch bolt 807 on extended mounting plate
- Supplied with 4 m connecting cable
- Flush or surface installation of wiring possible
- Suitable for fire and smoke protection doors
- Suitable for left and right handed doors
- Standard installation on hinge side
- Variable adjustable closing force
- Closing speed, latching speed and backcheck continuously adjustable
- Thermodynamic valves for consistent performance
- 14mm height adjustable arm system for ease of fitting
- Standard colours: silver EV1, stainless steel



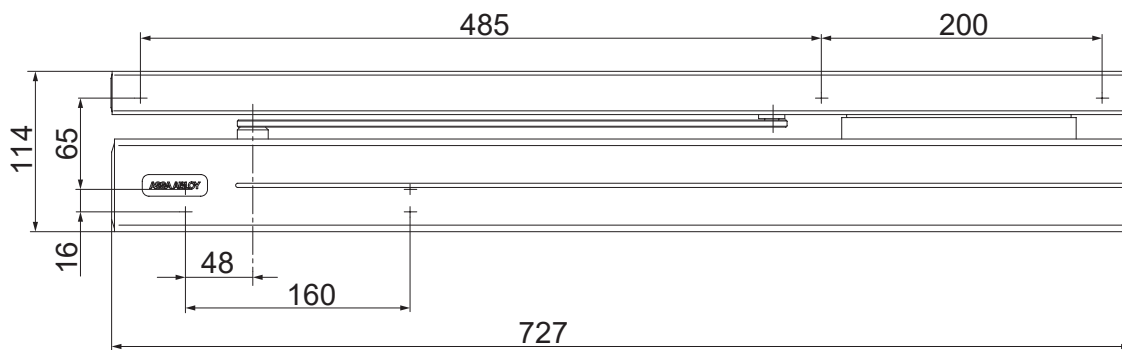
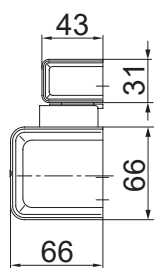
CE	Abloy Oy, PO Box 108 80101 Joensuu Finland			16			
					DC700	EN1154:1996/A1:2002/AC2006 1121-CPR-AD5238	3
Dangerous substances: None							

### Characteristics of escapedoor locking system

- Holding force of 2000 N
- Latch position continuously adjustable between 12 mm and 17 mm
- Latch position adjustable horizontally between -3 mm and +6 mm
- Latch bolt can be adjusted vertically in 4 mm increments (-4/ 0/ +4/ +8)
- Escapedoor strike using FaFix®, adjustable by 2 mm (0.5 mm steps)

### Characteristics of guide rail

- Height-adjustable by 2 mm for tolerance
- Concealed fastening screws



# DC700G-FT

## Technical attributes

Technical attributes	
Closing force	EN3-6
Door width up to	850 - 1200 mm
Suitable for fire doors	Yes
Handing	Left / right handed
Mounting method	Standard installation on hinge side
Closing speed	Variable between 170°-15°
Latching speed	Variable between 15°-0°
Operating temperature range	-15 °C to +40 °C
Backcheck	Variable above 75°
Max. door opening angle hinge side	ca. 170°
Weight	8.2 kg
Dimension body	727 x 66 x 66 mm
Dimension guide rail	727 x 30 x 43.5 mm
Certified in compliance with	EN1154
CE marking for building products	Yes
Escapedoor strike	
Holding force	2000 N
Rated voltage	12 V DC / 24 V DC
Rated current	190 mA / 12 V; 95 mA / 24 V
Rated operational voltage tolerance	+/- 10 %
Anchor contact	Yes
Certified in compliance with	EitVTR
Approved system in compliance with EitVTR	Escaperoute controller

You can find the complete specification on the internet at: [www.assaabloy.de](http://www.assaabloy.de)

### ASSAABLOY DC700G-FT

ASSAABLOY door closer with Cam-Motion® technology; extended mounting plate and integrated latch bolt, guide rail with integrated effeff escapedoor strike 332®, 24V DC.

- Closing force continuously adjustable, EN size 3-6
- Door closer approved in line with EN1154, with CE mark
- Escapedoor strike tested in compliance with the guideline for electrical locking systems for doors along escaperoutes
- Closing speed, latching speed and backcheck continuously adjustable
- Suitable for fire and smoke protection doors
- Recommended door width: at least 850 mm - max. 1200 mm
- Latch position continuously adjustable between 12 mm and 17 mm
- Latch position adjustable horizontally between -3 mm and +6 mm
- Latch bolt can be adjusted vertically in 4 mm increments (-4 / 0 / +4 / +8)
- Escapedoor strike using FaFix®, adjustable by 2 mm
- Suitable for left and right handed doors
- Standard installation on hinge side

### Accessories:

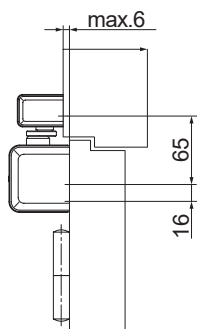
- 5 mm SpacerPlate (narrow rebate) DCFA01
- 15 mm SpacerPlate (wide rebate) DCFA02
- Replacement plate, 5 mm, for Drilling Template DCFA03
- Replacement plate, 15 mm, for External Drilling Template DCFA04
- Mounting / replacement plate, 5 mm, for Narrow Frame DCFA05
- Mounting / replacement plate, 15 mm, for Narrow Frame DCFA06
- Mechanical opening damper A188

### Colour:

- Silver EV1
- Stainless steel

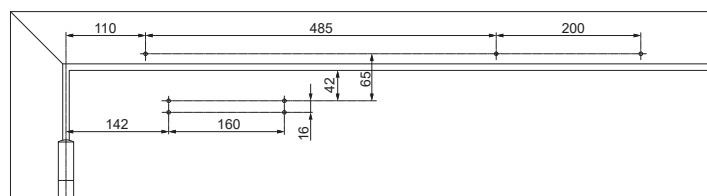
# DC700G-FT

## Dimensional drawings and accessories



Spacerequired on doors for standard mounting on hinge side

Left handed shown in diagram  
Right handed is the reverse



Installation dimensions in compliance with EN1154 Supplementary Sheet 1; standard hinge-side mounting

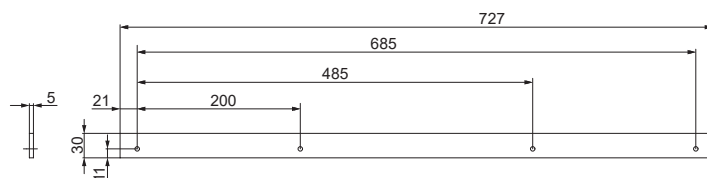
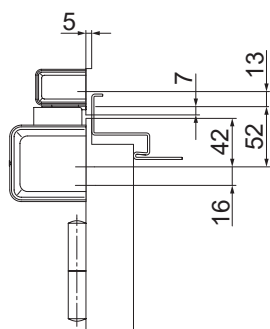
Left handed shown in diagram  
Right handed is the reverse

### Notice

The positions of the locking components on the guide rail and mounting plate are designed in such a way that escapedoor strikes and latch bolt are correctly aligned when installed in a flush position (flush-fitted doors).

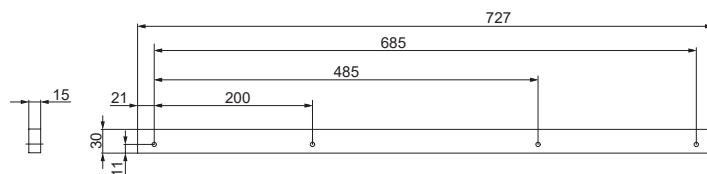
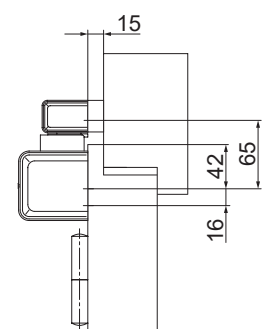
Adjustment option on electric strike (FaFix®) of +/- 1 mm and latch bolt lock of +6/- 3 mm mean that smaller differences in measurements can be compensated for.

In the case of doors with an overlapping door leaf (narrow or wide rebate), the following spacerplates must be used to ensure that the guide rail and mounting plate are in a flush position when on top of one another.



### Spacer Plate DCFA01

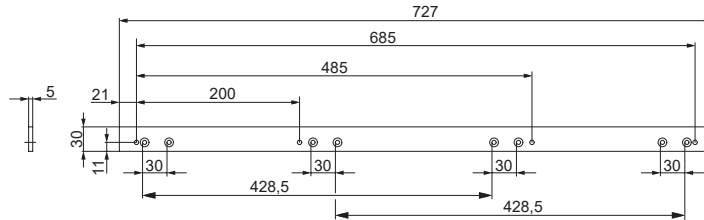
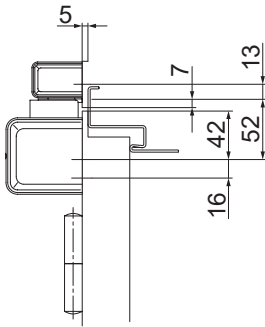
For shimming guide rails over ASSAABLOY drilling pattern. For use on narrow-rebate doors with a max. door leaf overlap of 8 mm.



### Spacer Plate DCFA02

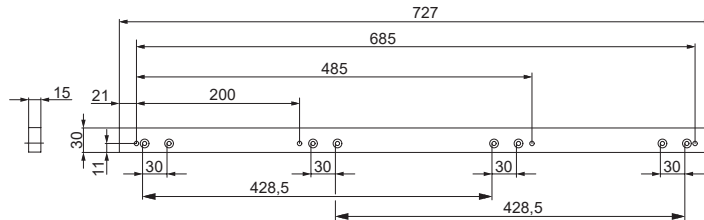
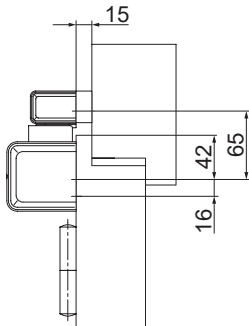
For shimming guide rails over ASSAABLOY drilling pattern. For use on wide-rebate doors with a max. door leaf overlap of 18 mm.





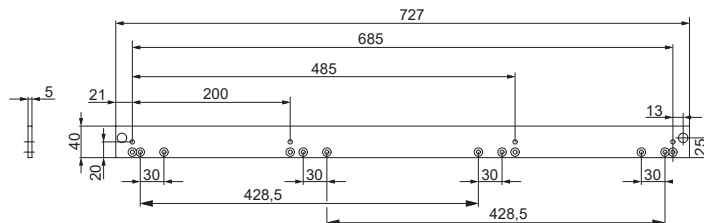
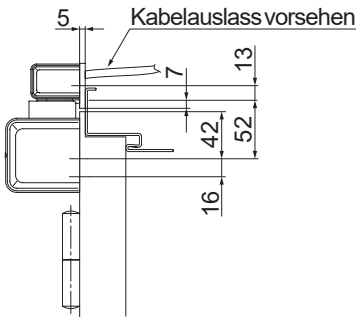
### Replacement Plate DC-FA03

Formounting guide rail over existing drill holes, for flush-fit doors and narrow rebate doors with door leaf overlap up to 8 mm.



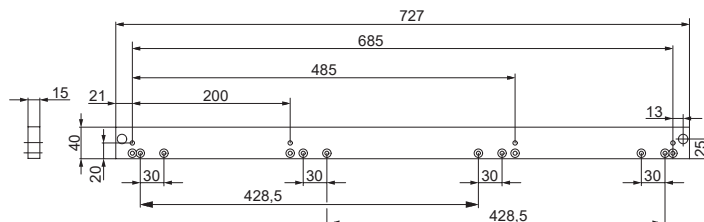
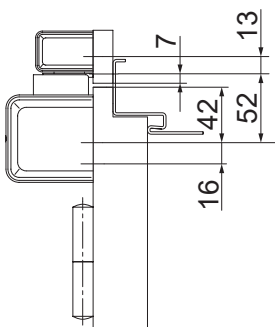
### Replacement Plate DC-FA04

Formounting guide rail over existing drilling pattern, for wide-rebate doors with door leaf overlap up to 18 mm.



### Mounting and Replacement Plate DCFA05

Mounting plate for narrow frames. For mounting over ASSAABLOY drilling pattern and over existing drill holes when the guide rail is replaced. For use on narrow-rebate doors with a max. door leaf overlap of 8 mm

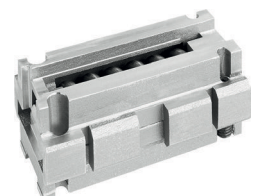


### Mounting and Replacement Plate DCFA06

Mounting plate for narrow frames. For mounting over ASSAABLOY drilling pattern and over existing drill holes when the guide rail is replaced. For use on wide-rebate doors with a max. door leaf overlap of 18 mm.

### Opening damper A188

Helps to prevent the door and door handle from hitting a return wall. Simple installation in the guide rail, but doesn't replace the need for a door stop



# DC700G-FT

## Order placement information

Designation/ Item	Order no.	Designation/ Item	Order no.
Security Door Closer Model DC700G-FT, complete, 24V DC, silver EV1	<b>DC700FT0-FDEV1-</b>	Spacerplate 15 mm for wide-rebate doors, silver EV1	<b>DCFA02-----EV1-</b>
Sicherheitstürschließer Modell DC700G-FT, komplett, 24 VDC, Edelstahl-Design	<b>DC700FT0-FD35--</b>	Spacerplate 5 mm for competitor's guide rail drilling template, silver EV1	<b>DCFA03-----EV1-</b>
Security Door Closer Model DC700G-FT, complete, 12V DC, silver EV1	<b>DC700FT0-EDEV1-</b>	Spacerplate 15 mm for guide rail drilling template, silver EV1	<b>DCFA04-----EV1-</b>
Security Door Closer Model DC700G-FT, complete, 12V DC, stainlesssteel, ASSAABLOY design	<b>DC700FT0-ED35--</b>	Mounting / replacement plate, 5 mm, for narrow frame, silver EV1	<b>DCFA05-----EV1-</b>
Spacerplate 5 mm for narrow-rebate doors, silver EV1	<b>DCFA01-----EV1-</b>	Mounting / replacement plate, 15 mm, for narrow frame, silver EV1	<b>DCFA06-----EV1-</b>
		Opening damper A188	<b>DCA188-----</b>

## DC700G-FT BGS

Door closer with Cam-Motion® technology, incorporating integrated escapedoor strike, non-hinge side

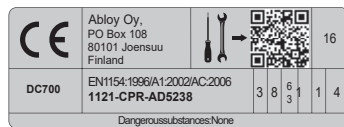


### ASSA ABLOY DC700G-FT BGS

- Door closer with Cam-Motion® technology, incorporating extended mounting plate and integrated escape strike within extended guide rail. Mounting position non-hinge side
- Suitable for retrofitting on electrical locking device on doors without fire and smoke protection.
- Certified in compliance with EN1154, size 3-6
- Escapedoor strike 332®, tested in compliance with the guideline for electrical locking systems for doors along escape routes
- For single leaf doors, doors between 850 - 1200 mm wide

### Characteristic of DC700G-FTBGS

- Integrated escapedoor strike 332® in extended guide rail
- Integrated latch bolt 807 on extended mounting plate
- Supplied with 4 m connecting cable
- Flush or surface installation of wiring possible
- Suitable for left and right handed doors
- Standard installation on non-hinge side
- Variable adjustable closing force
- Closing speed, latching speed and backcheck continuously adjustable
- Thermodynamic valves for consistent performance
- 14mm height adjustable arm system for ease of fitting
- Standard colours: silver EV1, stainless steel

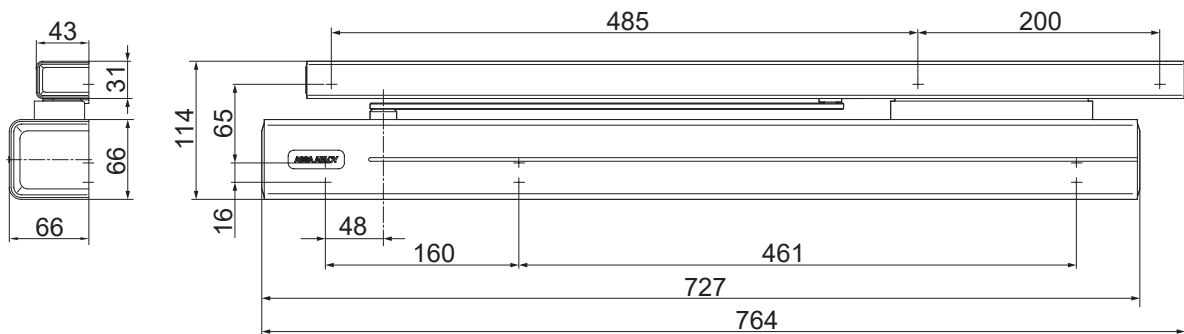


### Characteristics of escapedoor locking system

- Holding force of 2000 N
- Latch position continuously adjustable between 12 mm and 17 mm
- Latch position adjustable horizontally between -3 mm and +6 mm
- Latch bolt can be adjusted vertically in 4 mm increments (-4/ 0/ +4/ +8)
- Escapedoor strike using FaFix®, adjustable by 2 mm (0.5 mm steps)

### Characteristics of guide rail

- Height-adjustable by 2 mm for tolerance
- Concealed fastening screws



# DC700G-FT BGS

## Technical attributes

Technical attributes	
Closing force	EN3-6
Door width up to	1200 mm
Handing	Left / right handed
Mounting method	Standard installation on non-hinge side
Closing speed	Variable between 120°-15°
Latching speed	Variable between 15°-0°
Operating temperature range	-15 °C to +40 °C
Backcheck	Variable above 75°
Max. door opening angle non-hinge side	Ca. 120°
Weight	8.2 kg
Dimension body	727 x 66 x 66 mm
Dimension guide rail	727 x 30 x 43.5 mm
Certified in compliance with	EN1154
CE marking for building products	Yes
<b>Escapedoor strike</b>	
Holding force	2000 N
Rated voltage	12 V DC / 24 V DC
Rated current	190 mA / 12 V; 95 mA / 24 V
Rated operational voltage tolerance	+/- 10 %
Anchor contact	not potential-free
Recovery diode	Yes
Certified in compliance with	EitVTR
Approved system in compliance with EitVTR	Escaperoute controller

### ASSAABLOY DC700G-FT BGS

ASSAABLOY door closer with Cam-Motion® technology; extended mounting plate and integrated latch bolt, guide rail with integrated effeff escapedoor strike 332®, 24V DC.

- Closing force continuously adjustable, EN size 3-6
- Door closer approved in line with EN1154, with CE mark
- Escapedoor strike tested in compliance with the guideline for electrical locking systems for doors along escaperoutes
- Closing speed, latching speed and backcheck continuously adjustable
- Recommended door width: at least 850 mm - max. 1200 mm
- Latch position continuously adjustable between 12 mm and 17 mm
- Latch position adjustable horizontally between -3 mm and +6 mm
- Latch bolt can be adjusted vertically in 4 mm increments (-4/ 0/ +4/ +8)
- Escapedoor strike using FaFix®, adjustable by 2 mm
- Suitable for left and right handed doors
- Standard installation on non-hinge side
- 14 mm height adjustable arm system for ease of fitting

### Accessories:

- Replacement plate DCFA08
- Mounting / replacement plate for Narrow Frame DCFA09
- Mechanical opening damper A188

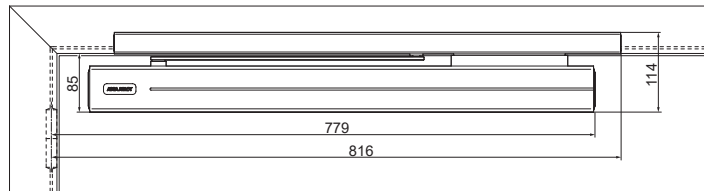
### Colour:

- Silver EV1
- Stainless steel

You can find the complete specification on the internet at: [www.assaabloy.de](http://www.assaabloy.de)

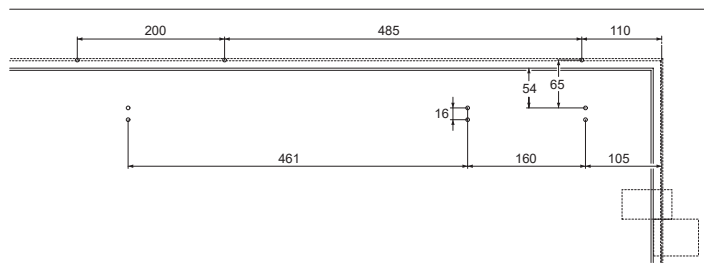
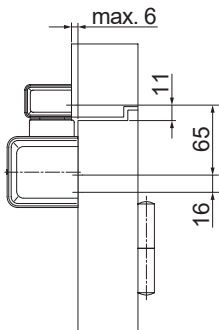
# DC700G-FT BGS

## Dimensional drawings



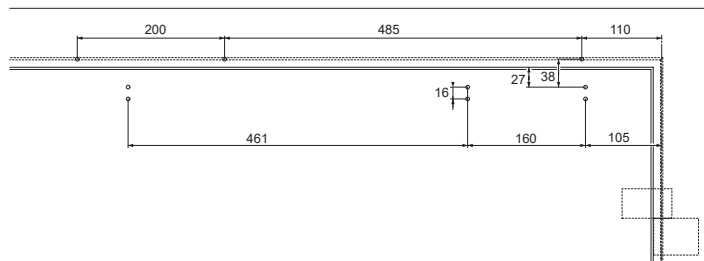
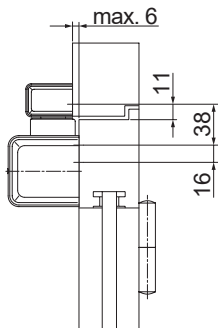
Space required on doors for standard mounting on non-hinge side

Left handed shown in diagram  
Right handed is the reverse



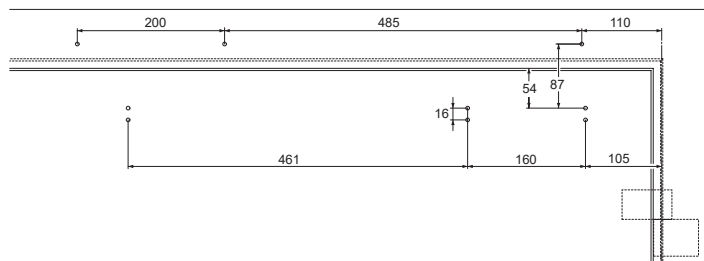
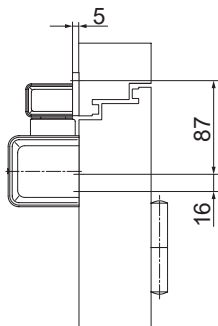
Fitting dimensions standard installation on non-hinge side

Right handed shown in diagram  
Left handed is the reverse



Fitting dimensions after standard installation on non-hinge side with narrow door frame

Right handed shown in diagram  
Left handed is the reverse



Fitting dimensions standard installation on non-hinge side with mounting plate for narrow frame

Right handed shown in diagram  
Left handed is the reverse

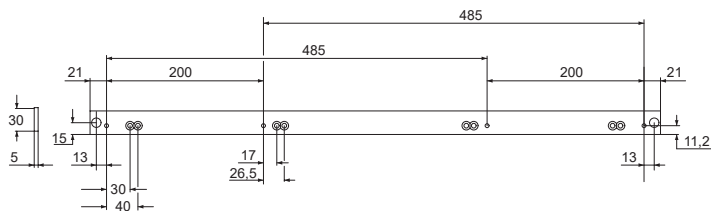
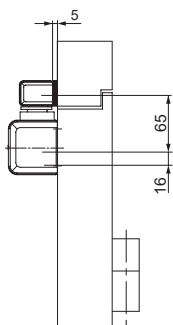
### Notice

The positions of the locking components on the guide rail and mounting plate are designed in such a way that escaped door strikes and latch bolt are correctly aligned when installed in a flush position (flush-fitted doors).

Adjustment option on electric strike (FaFix®) of +/- 1 mm and latch bolt lock of +6/- 3 mm mean that smaller differences in measurements can be compensated for.

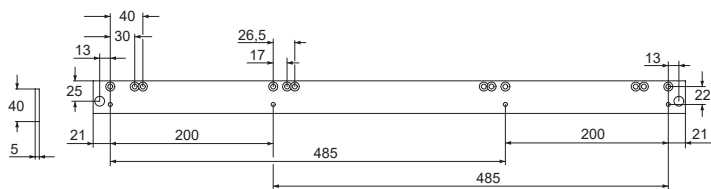
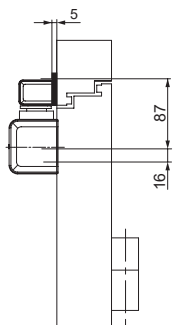
# DC700G-FT BGS

## Accessories and order placement information



### Replacement plate DC-FA08

For mounting guide rail over existing drilling template for flush-fitted doors.

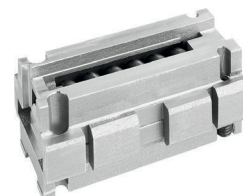


### Mounting and Replacement Plate DCFA09

Mounting plate for narrow frames or metal frame profiles. For mounting on the ASSAABLOY drilling template and an existing drilling template

### Opening damper A188

Helps to prevent the door and door handle from hitting a return wall. Simple installation in the guide rail, but doesn't replace the need for a door stop

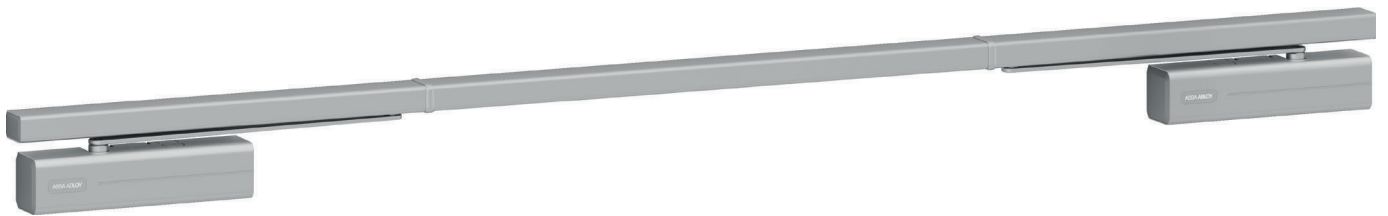


Designation/ Item	Order no.
Security Door Closer Model DC700G-FT, non-hinge side, complete, 24V DC, silver EV1	<b>DC700FT1-FDEV1-</b>
Security Door Closer Model DC700G-FT, non-hinge side, complete, 24V DC, stainlesssteel, ASSA ABLOY design	<b>DC700FT1-FD35--</b>
Security Door Closer Model DC700G-FT, non-hinge side, complete, 12V DC, silver EV1	<b>DC700FT1-EDEV1-</b>
Security Door Closer Model DC700G-FT, non-hinge side, complete, 12V DC, stainlesssteel, ASSA ABLOY design	<b>DC700FT1-ED35--</b>

Designation/ Item	Order no.
Replacement plate DCFA08, silver EV1	<b>DCFA08-----EV1-</b>
Mounting and replacement plate DCFA09, silver EV1	<b>DCFA09-----EV1-</b>
Opening damper A188	<b>DCA188-----</b>

## DC700G-CO

# Door closer with Cam-Motion® technology with integrated mechanical door coordinator



### ASSA ABLOY DC700G-CO

- Door closer with Cam-Motion® technology with integrated mechanical door coordinator
- Certified in compliance with EN1158, size 3-6
- Mechanical door coordinator in continuous guide rail
- All components fully integrated into continuous guide rail
- Fulfills barrier-free building requirements (EA/ CEN TR15894)
- Suitable for fire and smoke protection doors with hinge distance up to 2800 mm

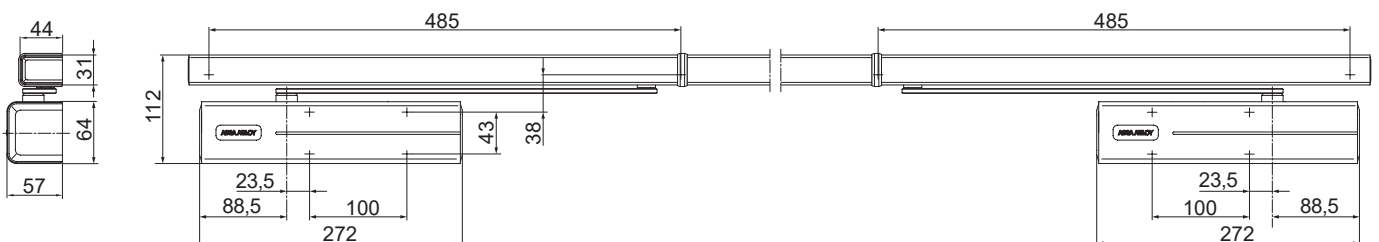
### Characteristic of DC700G-CO

- Door coordinator based on wedge system
- Can be used for left and right-handed doors
- For standard mounting on hinge side
- Same drilling template as standard guide rails
- Guide rail height-adjustable by 2 mm for tolerance
- Axis continuously height-adjustable up to 14 mm
- Closing speed, latching speed and backcheck adjustable via front facing regulating valves
- Variable adjustable closing force
- Thermodynamic valves for consistent performance
- Effective backcheck and latching speed range adjustable
- Standard colours: silver EV1, white similar to RAL9016, stainless steel design
- Customised finishes available on request



CE	ASSA ABLOY Sicherheitstechnik GmbH Bildstockstraße 20 72458 Albstadt	15
	EN1158:1997/A1:2002/AC:2006 0432-CPR-00007-21	
Dangerous substances: None		

CE	Abloy Oy, PO Box 108 80101 Joensuu Finland	16
	EN1154:1996/A1:2002/AC:2006 1121-CPR-AD5238	
Dangerous substances: None		



# DC700G-CO

## Technical attributes

### Guide rail G-CO

Technical attributes	
Height	30 mm
Depth	43.5 mm
Length	Depending on overall door width
Weight	4.0 kg
Suitable for fire doors	Yes
Certified in compliance with	EN1158
CE marking for building products	Yes

Facts for door closer see DC700

### The advantages at a glance

Customer segment	Advantages
Project planners	<ul style="list-style-type: none"> <li>- Extensive range of uses: Fire and smoke protection doors as well as standard doors</li> <li>- Modern design</li> <li>- Compact design</li> <li>- Mechanical door coordinator for optimum functional reliability</li> </ul>
Builders	<ul style="list-style-type: none"> <li>- One drilling template overall</li> <li>- Simple, rapid installation and adjustment</li> <li>- Can be used for left and right handed doors for standard mounting on hinge side</li> <li>- Adjustable to nearly all door and frame types</li> <li>- Optimum reliability and service life for door coordinator</li> </ul>
Trade	<ul style="list-style-type: none"> <li>- Reduced inventory costs due to modular product range</li> </ul>
User	<ul style="list-style-type: none"> <li>- Mechanical door coordinator for optimum functional reliability</li> <li>- Optimum usage convenience thanks to controlled closing of door in correct order</li> </ul>

Our service for you: here you can see the individual advantages of our door closer models for your respective field of business.

### Specifications for DC700G-CO

ASSAABLOY door closer with Cam-Motion® technology, continuous guide rail with mechanical door coordinator, EN size 3-6

- Variable adjustable closing force
- 14 mm height adjustable arm system for ease of fitting
- Closing speed, latching speed and backcheck adjustable via front facing regulating valves
- Can be used for left and right handed doors for standard mounting on hinge side

### Accessories:

- Mounting plate A160 for guide rail G-CO
- Mech. hold-open device A158 (not for fire and smoke protection doors)
- Mechanical opening damper A188

### Colour:

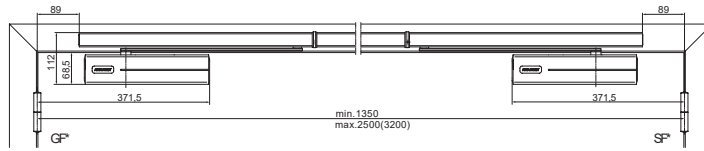
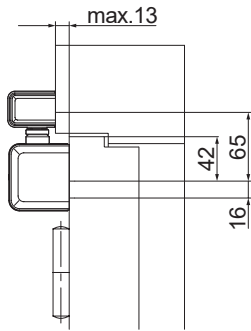
- Silver EV1
- White, similar to RAL9016
- Stainless steel
- Customised finishes available on request

You can find the complete specification on the internet at: [www.assaabloy.de](http://www.assaabloy.de)



# DC700G-CO

## Dimensional drawings and accessories



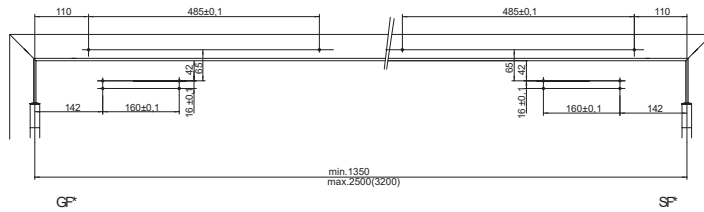
### Required spaceon doors

Active leaf DIN left shown in the diagram

Active leaf DIN right is the reverse

SF\*= Inactive leaf

GF\*= Active leaf



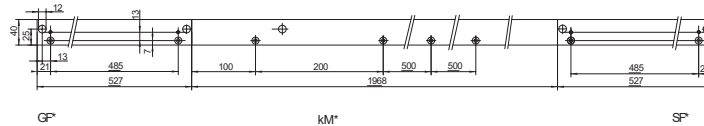
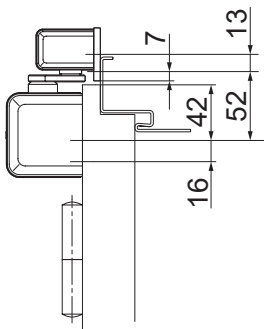
### Installation dimensions

Active leaf DIN left shown in the diagram

Active leaf DIN right is the reverse

SF\*= Inactive leaf

GF\*= Active leaf



### Mounting PlateA160

SF\*= Inactive leaf

GF\*= Active leaf

kM\* = Middle section length can be shortened

# DC700G-CO

## Accessories and order placement information

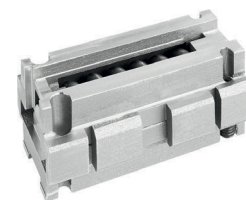
### Mechanical Hold-Open Device A158

Mechanical hold-open device for temporarily holding doors open  
 Doors held open at an opening angle of 130° hinge side  
 Continuously adjustable holding force  
 Not approved for use on fire and smoke protection doors



### Opening damper A188

Helps to prevent the door and door handle from hitting a return wall.  
 Simple installation in the guide rail, but doesn't replace the need for a door stop



Designation / Item	Order no.	Designation / Item	Order no.
Guiderail with door coordinator, doors up to 2500 mm wide, silver EV1	<b>DCG-21-10-DEV1-</b>	Guiderail with door coordinator, doors up to 3200 mm wide, stainlesssteel, ASSAABLOY design	<b>DCG-23-10-D35--</b>
Guiderail with door coordinator, doors up to 2500 mm wide, white, similar to RAL9016	<b>DCG-21-10-D9016</b>	Guiderail with door coordinator, doors up to 3200 mm wide, customised finish	<b>DCG-23-10-DXXXX</b>
Guiderail with door coordinator, doors up to 2500 mm wide, stainlesssteel, ASSAABLOY design	<b>DCG-21-10-D35--</b>	Mounting Plate A160, doors up to 3200 mm wide, silver EV1	<b>DCA160-----EV1-</b>
Guiderail with door coordinator, doors up to 2500 mm wide, customised finish	<b>DCG-21-10-DXXXX</b>	Mounting Plate A160, doors up to 3200 mm wide, white, similar to RAL9016	<b>DCA160-----9016</b>
Guiderail with door coordinator, doors up to 3200 mm wide, silver EV1	<b>DCG-23-10-DEV1-</b>	Mounting Plate A160, doors up to 3200 mm wide, customised finish	<b>DCA160-----XXXX</b>
Guiderail with door coordinator, doors up to 3200 mm wide, white, similar to RAL9016	<b>DCG-23-10-D9016</b>	Mechanical Hold-Open Device A158	<b>DCA158-----</b>
		Opening damper A188	<b>DCA188-----</b>

# DC700G-CO-E

Door closer with Cam-Motion® technology with electro-mechanical hold-open device and integrated mechanical door coordinator



### ASSA ABLOY DC700G-CO-E

- Door closer with Cam-Motion® technology with electro-mechanical hold-open device and integrated mechanical door coordinator for double leaf doors
- Certified in compliance with EN1155/1158, size 3-6
- Mechanical door coordinator in continuous guide rail
- Hold-open angle continuously adjustable between 80° and 130°
- Hold-open device is traversable
- All components fully integrated into continuous guide rail
- Fulfills barrier-free building requirements (EA/ CEN TR15894)
- Suitable for fire and smoke protection doors with hinge distance up to 2800 mm
- DIBt approval with different smoke detection systems

### Characteristics of DC700G-CO-E

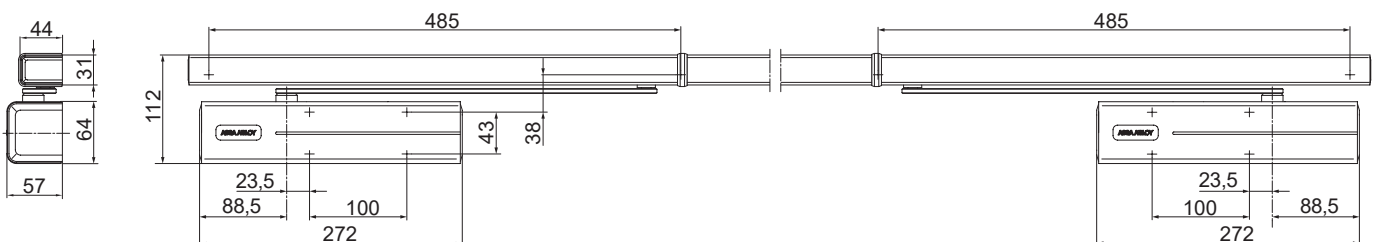
- Door coordinator based on wedge system
- Electro-mechanical hold-open device
- Continuously adjustable holding force
- Traversable hold-open device, continuously adjustable between ca. 80°-130°
- Flush or surface installation of wiring possible, 24 V DC
- Can be used for left and right-handed doors
- For standard mounting on hinge side
- Same drilling template as standard guide rails
- Guide rail height-adjustable by 2 mm for tolerance
- Axis continuously height-adjustable up to 14 mm
- Closing speed, latching speed and backcheck adjustable via front facing regulating valves
- Variable adjustable closing force
- Thermodynamic valves for consistent performance
- Effective backcheck and latching speed range adjustable
- Standard colours: silver EV1, white similar to RAL9016, stainless steel design
- Customised finishes available on request



CE	ASSA ABLOY Sicherheits-technik GmbH Bildstockstraße 20 72458 Albstadt	15
	DC700G-CO-E	
EN1155:1997/A1:2002/AC:2006 0432-CPR-00007-20		3 5 6 1 1 4
Dangerous substances: None		

CE	ASSA ABLOY Sicherheits-technik GmbH Bildstockstraße 20 72458 Albstadt	15
	DC700G-CO	
EN1158:1997/A1:2002/AC:2006 0432-CPR-00007-21		3 5 6 1 1 4
Dangerous substances: None		

CE	Abloy Oy, PO Box 108 80101 Joensuu Finland	16
	DC700	
EN1154:1998/A1:2002/AC:2006 1121-CPR-AD5238		3 8 6 1 1 4
Dangerous substances: None		



# DC700G-CO-E

## Technical attributes

### Guide rail G-CO-E

Technical attributes	
Required power supply	24 V DC
Rated current consumption	2 x ca. 75 mA
Continuous duty	100%
Class of protection	IP43
Weight	4.5 kg
Height	30 mm
Depth	43.5 mm
Length	Depending on overall door width
Suitable for fire doors	Yes
Certified in compliance with	EN 1155/1158
CE marking for building products	Yes

Facts for door closer see DC700

### The advantages at a glance

Customer segment	Advantages
Project planners	<ul style="list-style-type: none"> <li>- Extensive range of uses: Fire and smoke protection doors as well as standard doors</li> <li>- Modern design</li> <li>- Compact design</li> <li>- Hold-open device is traversable</li> <li>- Mechanical door coordinator for optimum functional reliability</li> </ul>
Builders	<ul style="list-style-type: none"> <li>- One drilling template overall</li> <li>- Simple, rapid installation and adjustment</li> <li>- Can be used for left and right handed doors for standard mounting on hinge side</li> <li>- Adjustable to nearly all door and frame types</li> <li>- Optimum reliability and service life for door coordinator</li> </ul>
Trade	<ul style="list-style-type: none"> <li>- Reduced inventory costs due to modular product range</li> </ul>
User	<ul style="list-style-type: none"> <li>- Adjustable operating force, to meet door construction requirements and user need</li> <li>- Optimum usage convenience thanks to controlled closing of door in correct order</li> </ul>

Our service for you: here you can see the individual advantages of our door closer models for your respective field of business.

### Specifications for DC700G-CO-E

ASSAABLOY door closer with Cam-Motion® technology, continuous guide rail with mechanical door selector, electro-mechanical hold-open device, EN size 3-6

- Variable adjustable closing force
- 14 mm height adjustable arm system for ease of fitting
- Closing speed, latching speed and backcheck adjustable via front facing regulating valves
- Can be used for left and right handed doors for standard mounting on hinge side
- Hold-open angle continuously adjustable between 80° and 130°, holding force adjustable
- Hold-open device is traversable

### Accessories:

- Mounting plate A160 for guide rail G-CO-E
- Mechanical opening damper A188
- Smoke detector station RZ100
- Ceiling smoke detector ORS142 / TDS 247
- Arrester System Control Unit Model 92020-10
- Optical smoke detector 60060
- Flush-mounted or surface-mounted release button

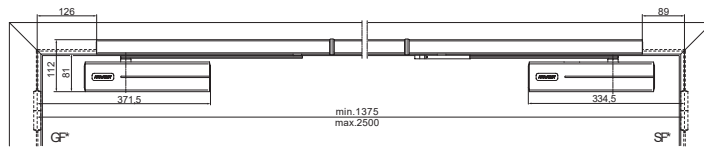
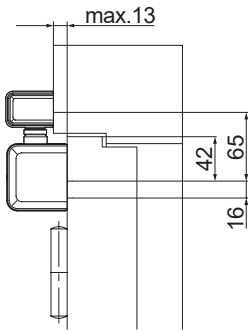
### Colour:

- Silver EV1
- White, similar to RAL9016
- Stainless steel
- Customised finishes available on request

You can find the complete specification on the internet at: [www.assaabloy.de](http://www.assaabloy.de)

# DC700G-CO-E

## Dimensional drawings and accessories



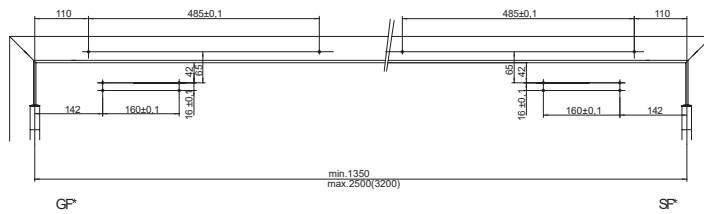
### Required spaceon doors

Active leaf DIN left shown in the diagram

Active leaf DIN right is the reverse

SF\* = Inactive leaf

GF\* = Active leaf



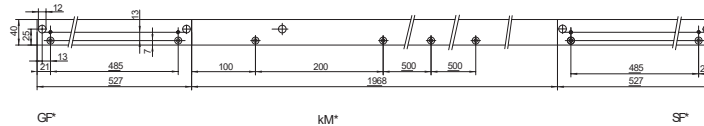
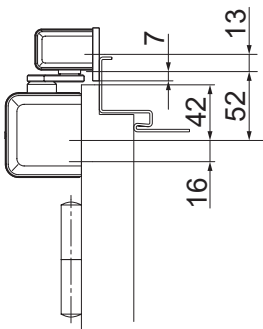
### Installation dimensions

Active leaf DIN left shown in the diagram

Active leaf DIN right is the reverse

SF\* = Inactive leaf

GF\* = Active leaf



### Mounting Plate A160

SF\* = Inactive leaf

GF\* = Active leaf

kM\* = Middle section length can be shortened

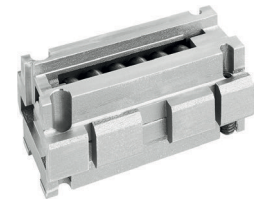
# DC700G-CO-E

## Accessories and order placement information

### Opening damper A188

Helps to prevent the door and door handle from hitting a return wall.

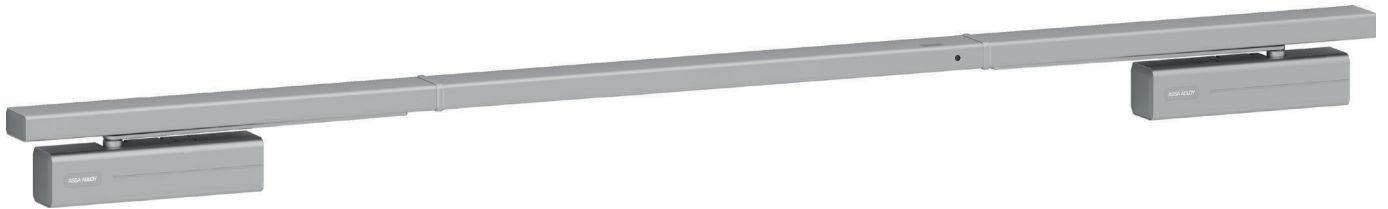
Simple installation in the guide rail, but doesn't replace the need for a door stop



Designation/ Item	Order no.	Designation/ Item	Order no.
Guiderail with door coordinator,hold-open device on both sides.Doorsup to 2500 mm wide, silver EV1	DCG-21-22NDEV1-	Guiderail with door coordinator,hold-open device on the active leaf.Doorsup to 2500 mm wide, Stainlesssteel design	DCG-21-21ND35--
Guiderail with door coordinator,hold-open device on both sides.Doorsup to 2500 mm wide, white,similar to RAL9016	DCG-21-22ND9016	Guiderail with door coordinator,hold-open device on the active leaf.Doorsup to 2500 mm wide,customised finish	DCG-21-21NDXXXX
Guiderail with door coordinator,hold-open device on both sides.Doorsup to 2500 mm wide, Stainlesssteel design	DCG-21-22ND35--	Guiderail with door coordinator,hold-open device on the active leaf.Doorsup to 3200 mm wide, silver EV1	DCG-23-21NDEV1-
Guiderail with door coordinator,hold-open device on both sides.Doorsup to 2500 mm wide, customised finish	DCG-21-22NDXXXX	Guiderail with door coordinator,hold-open device on the active leaf.Doorsup to 3200 mm wide,white,similar to RAL9016	DCG-23-21ND9016
Guiderail with door coordinator,hold-open device on both sides.Doorsup to 3200 mm wide, silver EV1	DCG-23-22NDEV1-	Guiderail with door coordinator,hold-open device on the active leaf.Doorsup to 3200 mm wide, Stainlesssteel design	DCG-23-21ND35--
Guiderail with door coordinator,hold-open device on both sides.Doorsup to 3200 mm wide, white,similar to RAL9016	DCG-23-22ND9016	Guiderail with door coordinator,hold-open device on the active leaf.Doorsup to 3200 mm wide,customised finish	DCG-23-21NDXXXX
Guiderail with door coordinator,hold-open device on both sides.Doorsup to 3200 mm wide, Stainlesssteel design	DCG-23-22ND35--	Mounting PlateA160,doorsup to 3200 mm wide, silver EV1	DCA160-----EV1-
Guiderail with door coordinator,hold-open device on both sides.Doorsup to 3200 mm wide, customised finish	DCG-23-22NDXXXX	Mounting PlateA160,doorsup to 3200 mm wide, white,similar to RAL9016	DCA160-----9016
Guiderail with door coordinator,hold-open device on the active leaf.Doorsup to 2500 mm wide, silver EV1	DCG-21-21NDEV1-	Mounting PlateA160,doorsup to 3200 mm wide, customised finish	DCA160-----XXXX
Guiderail with door coordinator,hold-open device on the active leaf.Doorsup to 2500 mm wide,white,similar to RAL9016	DCG-21-21ND9016	Opening damper A188	DCA188-----

## DC700G-CO-S

Door closer with Cam-Motion® technology with electro-mechanical hold-open device, smoke detector and integrated mechanical door coordinator



### ASSA ABLOY DC700G-CO-S

- Door closer with Cam-Motion® technology with electro-mechanical hold-open device, smoke detector and integrated mechanical door coordinator for double leaf doors, DIBt approval Z-6.5-2166
- Certified in compliance with EN1155/1158, size 3-6
- Mechanical door coordinator in continuous guide rail
- Smoke switch with contamination indicator and alarm threshold monitoring
- Integrated 230 V power supply
- All components fully integrated into continuous guide rail
- Fulfills barrier-free building requirements (EA/ CEN TR15894)
- Suitable for fire and smoke protection doors with a hinge distance between 1400 and 2500 mm (3200 mm)

### Characteristics of DC700G-CO-S

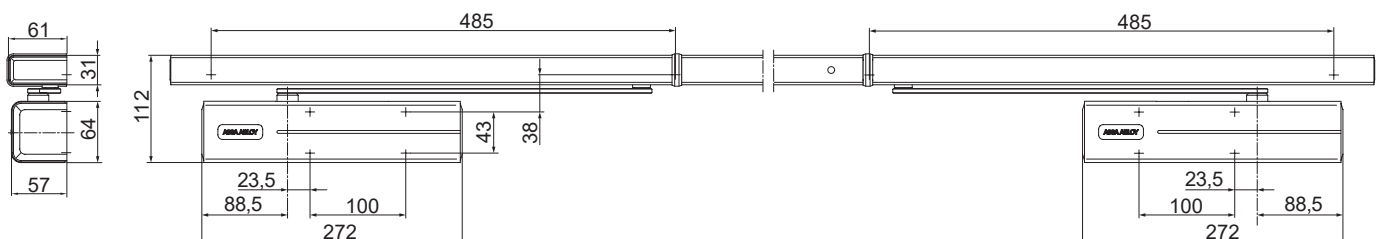
- Door coordinator based on wedge system
- Optical smoke detector after scattered light principle
- Status displayed on LED: operational mode, alarm, maintenance
- Integrated potential-free alarm relay
- Can be activated by a fire alarm system
- Connectivity for manual release buttons and ceiling smoke detectors
- Electro-mechanical hold-open device
- Continuously adjustable holding force
- Traversable hold-open device, continuously adjustable between ca. 80°-130°
- Flush or surface installation of wiring possible, 230 V AC
- Can be used for left and right-handed doors
- For standard mounting on hinge side
- Same drilling template as standard guide rails
- Guide rail height-adjustable by 2 mm for tolerance
- Axis continuously height-adjustable up to 14 mm
- Closing speed, latching speed and backcheck adjustable via front facing regulating valves
- Variable adjustable closing force
- Thermodynamic valves for consistent performance
- Effective backcheck and latching speed range adjustable
- Standard colours: silver EV1, white similar to RAL9016, stainless steel design
- Customised finishes available on request



CE	ASSA ABLOY Sicherheitstechnik GmbH Bildstockstraße 20 72458 Albstadt	15
	DC700G-CO-S	
EN1155:1997/A1:2002/AC:2006 0432-CPR-00007-20		
3 5 6 1 3 3 1 4		
Dangeroussubstances:None		

CE	ASSA ABLOY Sicherheitstechnik GmbH Bildstockstraße 20 72458 Albstadt	15
	DC700G-CO	
EN1158:1997/A1:2002/AC:2006 0432-CPR-00007-21		
3 5 6 1 3 3 1 4		
Dangeroussubstances:None		

CE	Abloy Oy, PO Box 108 80101 Joensuu Finland	16
	DC700	
EN1154:1998/A1:2002/AC:2006 1121-CPR-AD5238		
3 8 1 1 3 1 1 4		
Dangeroussubstances:None		



# DC700G-CO-S

## Technical attributes

### Guide rail G-CO-S

Technical attributes	
Required power supply	230 V supply voltage
Rated current consumption	2 x ca. 75 mA
Continuous duty	100%
Class of protection	IP20
Weight	5.0 kg
Height	30 mm
Depth	61 mm
Length	Depending on overall door width
Suitable for fire doors	Yes
Certified in compliance with	EN1155/1158
General technical approval as Arrester system	Z-6.5-2166

Facts for door closer see DC700

### The advantages at a glance

Customer segment	Advantages
Project planners	<ul style="list-style-type: none"> <li>- Extensive range of uses: Fire and smoke protection doors as well as standard doors</li> <li>- Modern design</li> <li>- Compact design</li> <li>- Hold-open device is traversable</li> <li>- Mechanical door coordinator for optimum functional reliability</li> <li>- Harmonious appearance thanks to smoke detector fully integrated into guide rail</li> </ul>
Builders	<ul style="list-style-type: none"> <li>- One drilling template overall</li> <li>- Simple, rapid installation and adjustment</li> <li>- Can be used for left and right handed doors for standard mounting on hinge side</li> <li>- Adjustable to nearly all door and frame types</li> <li>- Optimum reliability and service life for door coordinator</li> </ul>
Trade	<ul style="list-style-type: none"> <li>- Reduced inventory costs due to modular product range</li> </ul>
User	<ul style="list-style-type: none"> <li>- Automatic alarm reset</li> <li>- Status displayed on LED: operational mode, alarm, maintenance</li> <li>- Optimum usage convenience thanks to controlled closing of door in correct order</li> </ul>

Our service for you: here you can see the individual advantages of our door closer models for your respective field of business.

### Specification for DC700G-CO-S

ASSAABLOY door closer with Cam-Motion® technology, continuous guide rail with mechanical door coordinator, electro-mechanical hold-open device, integrated smoke detector and 230V power supply, EN size 3-6

- Variable adjustable closing force
- 14 mm height adjustable arm system for ease of fitting
- Closing speed, latching speed and backcheck adjustable via front facing regulating valves
- Can be used for left and right handed doors for standard mounting on hinge side
- Hold-open angle continuously adjustable between 80° and 130°, holding force adjustable
- Hold-open device is traversable
- Integrated smoke detector with contamination indicator and alarm threshold monitoring

### Accessories:

- Mounting plate A159 for guide rail G-CO-S
- Mechanical opening damper A188
- Ceiling smoke detector ORS142 / TDS 247
- Flush-mounted or surface-mounted release button

### Colour:

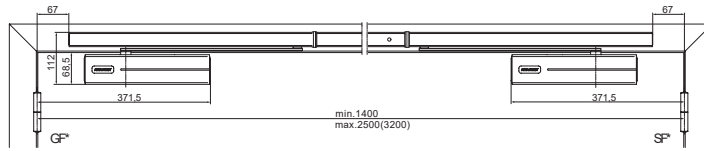
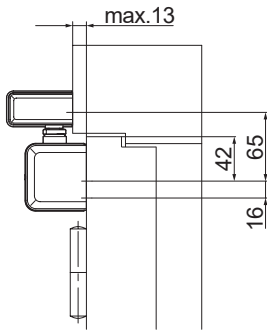
- Silver EV1
- White, similar to RAL9016
- Stainless steel
- Customised finish

You can find the complete specification on the internet at: [www.assaabloy.de](http://www.assaabloy.de)



# DC700G-CO-S

## Dimensional drawings and accessories



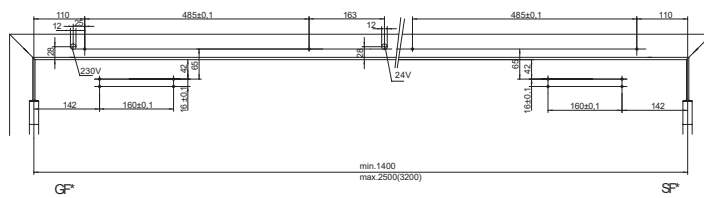
### Required space on doors

Active leaf DIN left shown in the diagram

Active leaf DIN right is the reverse

SF\* = Inactive leaf

GF\* = Active leaf



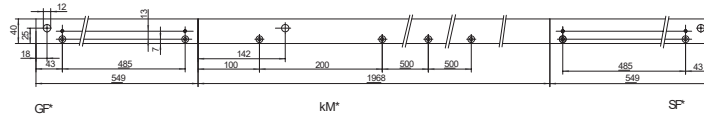
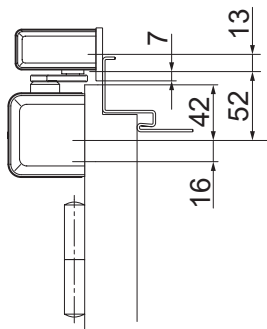
### Installation dimensions

Active leaf DIN left shown in the diagram

Active leaf DIN right is the reverse

SF\* = Inactive leaf

GF\* = Active leaf



### Mounting Plate A159

SF\* = Inactive leaf

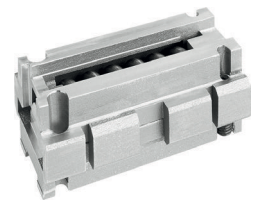
GF\* = Active leaf

KM\* = Middle section length can be shortened

### Opening damper A188

Helps to prevent the door and door handle from hitting a return wall.

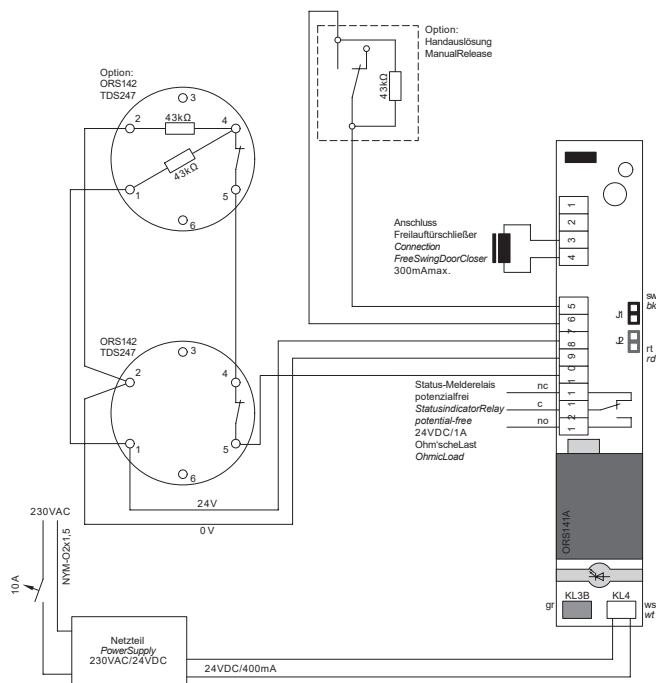
Simple installation in the guide rail, but doesn't replace the need for a door stop



# DC700G-CO-S

## Diagram and order placement information

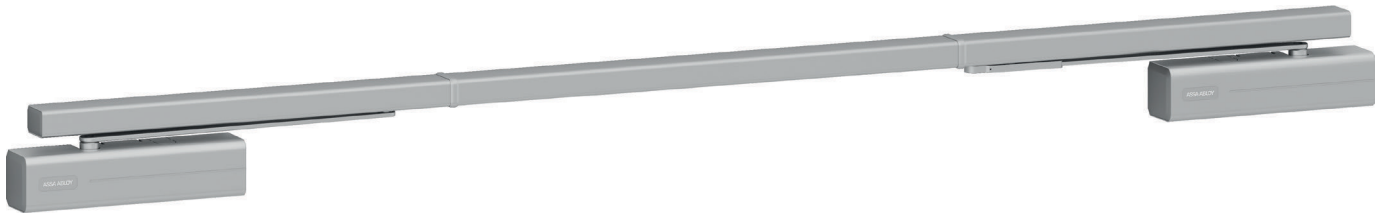
Wiring diagram



Designation/ Item	Order no.	Designation/ Item	Order no.
Guiderrail with door coordinator,smoke detector, hold-open device on both sides,doorsup to 2500 mm wide, silver EV1	<b>DCG-21-32NDEV1-</b>	Guiderrail with door coordinator,smokedetector, hold-open device on one side,doorsup to 2500 mm wide, Stainlesssteel design	<b>DCG-21-31ND35--</b>
Guiderrail with door coordinator,smoke detector, hold-open device on both sides,doorsup to 2500 mm wide,white,similar to RAL9016	<b>DCG-21-32ND9016</b>	Guiderrail with door coordinator,smoke detector, hold-open device on one side,doorsup to 2500 mm wide,customised finish	<b>DCG-21-31NDXXXX</b>
Guiderrail with door coordinator,smokedetector, hold-open device on both sides,doorsup to 2500 mm wide, Stainlesssteel design	<b>DCG-21-32ND35--</b>	Guiderrail with door coordinator,smoke detector, hold-open device on one side,doorsup to 3200 mm wide, silver EV1	<b>DCG-23-31NDEV1-</b>
Guiderrail with door coordinator,smoke detector, hold-open device on both sides,doorsup to 2500 mm wide,customised finish	<b>DCG-21-32NDXXXX</b>	Guiderrail with door coordinator,smoke detector, hold-open device on one side,doorsup to 3200 mm wide,white,similar to RAL9016	<b>DCG-23-31ND9016</b>
Guiderrail with door coordinator,smoke detector, hold-open device on both sides,doorsup to 3200 mm wide, silver EV1	<b>DCG-23-32NDEV1-</b>	Guiderrail with door coordinator,smokedetector, hold-open device on one side,doorsup to 3200 mm wide, Stainlesssteel design	<b>DCG-23-31ND35--</b>
Guiderrail with door coordinator,smoke detector, hold-open device on both sides,doorsup to 3200 mm wide,white,similar to RAL9016	<b>DCG-23-32ND9016</b>	Guiderrail with door coordinator,smoke detector, hold-open device on one side,doorsup to 3200 mm wide,customised finish	<b>DCG-23-31NDXXXX</b>
Guiderrail with door coordinator,smokedetector, hold-open device on both sides,doorsup to 3200 mm wide, Stainlesssteel design	<b>DCG-23-32ND35--</b>	Mounting PlateDCA159,doorsup to 3200 mm wide, silver EV1	<b>DCA159-----EV1 -</b>
Guiderrail with door coordinator,smoke detector, hold-open device on both sides,doorsup to 3200 mm wide,customised finish	<b>DCG-23-32NDXXXX</b>	Mounting PlateDCA159,doorsup to 3200 mm wide,white,similar to 9016	<b>DCA159-----9016</b>
Guiderrail with door coordinator,smoke detector, hold-open device on one side,doorsup to 2500 mm wide, silver EV1	<b>DCG-21-31NDEV1-</b>	Mounting PlateDCA159,doorsup to 3200 mm wide,customised finish	<b>DCA159-----XXXX</b>
Guiderrail with door coordinator,smoke detector, hold-open device on one side,doorsup to 2500 mm wide,white,similar to RAL9016	<b>DCG-21-31ND9016</b>	Opening damper A188	<b>DCA188-----</b>

# DC700G-CO-C

Door closer with Cam-Motion® technology with integrated mechanical door coordinator, non-hinge side



### ASSA ABLOY DC700G-CO-C

- Door closer with Cam-Motion® technology with integrated mechanical door coordinator for double leaf doors and installation, non-hinge side
- Certified in compliance with EN1158, size 3-6
- Mechanical door coordinator in continuous guide rail
- All components integrated into continuous guide rail
- Convenient opening of the door by means of a rapidly decreasing opening torque of the door closer system
- Suitable for fire and smoke protection doors with a hinge distance between 1400 and 2500 mm (3200 mm)

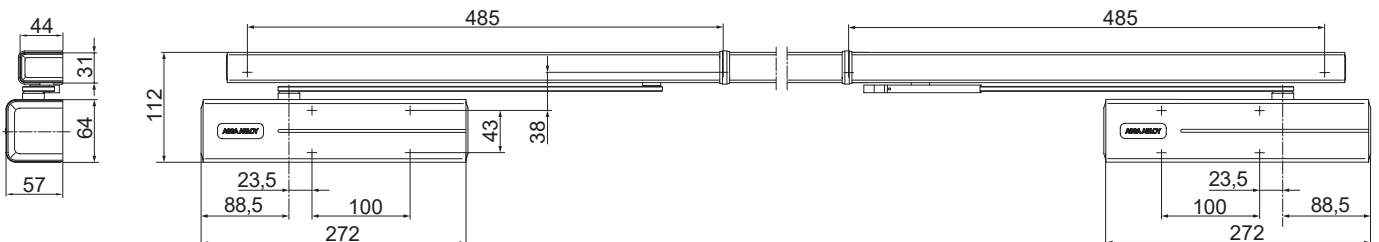
### Characteristics of DC700G-CO-C

- Door coordinator based on wedge system
- Regular mounting on non-hinge side, can be used for left and right-handed doors
- For doors with panic function in conjunction with the driving flap A102
- Symmetric and asymmetric door partition possible, minimum width of the inactive leaf = 400 mm
- Door opening angle up to approx. 120°, maximum opening angle limited
- Guide rail height-adjustable by 2 mm for tolerance
- Axis continuously height-adjustable up to 14 mm
- Closing speed, latching speed and backcheck adjustable via front facing regulating valves
- Variable adjustable closing force
- Thermodynamic valves for consistent performance
- Effective backcheck and latching speed range adjustable
- Standard colours: silver EV1, white similar to RAL9016, stainless steel design
- Customised finishes available on request



CE	ASSA ABLOY Sicherheitstechnik GmbH Bildstockstraße 20 72458 Albstadt	15
	DC700G-CO	
EN1158:1997/A1:2002/AC:2006 0432-CPR-00007-21		
Dangerous substances: None		

CE	Abloj Oy, PO Box 108 80101 Joensuu Finland	16
	DC700	
EN1154:1996/A1:2002/AC:2006 1121-CPR-AD5238		
Dangerous substances: None		



# DC700G-CO-C

## Technical attributes

### Guide rail G-CO-C

Technical attributes	
Height	30 mm
Depth	43.5 mm
Length	Depending on overall door width
Weight	4.0 kg
Max. door opening angle	Up to 120°
Suitable for fire doors	Yes
Certified in compliance with	EN1158
CE marking for building products	Yes

Facts for door closer see DC700

### The advantages at a glance

Customer segment	Advantages
Project planners	<ul style="list-style-type: none"> <li>- Extensive range of uses: Fire and smoke protection doors as well as standard doors</li> <li>- Modern design</li> <li>- Compact design</li> <li>- Mechanical door coordinator for optimum functional reliability</li> </ul>
Builders	<ul style="list-style-type: none"> <li>- Simple, rapid installation and adjustment</li> <li>- Symmetrical drilling template</li> <li>- Can be used for left and right handed doors for standard mounting on non-hinge side</li> <li>- Adjustable to nearly all door and frame types</li> <li>- Optimum reliability and service life for door coordinator</li> </ul>
Trade	<ul style="list-style-type: none"> <li>- Reduced inventory costs due to modular product range</li> </ul>
User	<ul style="list-style-type: none"> <li>- Mechanical door coordinator for optimum functional reliability</li> <li>- Optimum usage convenience thanks to controlled closing of door in correct order</li> </ul>

Our service for you: here you can see the individual advantages of our door closer models for your respective field of business.

### Specifications for DC700G-CO-C

ASSAABLOY door closer with Cam-Motion® technology, continuous guide rail with mechanical door coordinator, EN size 3-6

- Variable adjustable closing force
- 14 mm height adjustable arm system for ease of fitting
- Closing speed, latching speed and backcheck adjustable via front facing regulating valves
- Can be used for left and right handed doors for standard mounting on non-hinge side

### Accessories:

- Mounting plate A180
- Angle bracket A181
- Mech. hold-open device A158 (not for fire and smoke protection doors)
- Mechanical opening damper A188
- Carry bar A102

### Colour:

- Silver EV1
- White, similar to RAL9016
- Stainless steel design
- Customised finish

You can find the complete specification on the internet at: [www.assaabloy.de](http://www.assaabloy.de)



# DC700G-CO-C

## Accessories and order placement information

### Mechanical Hold-Open Device A158

Mechanical hold-open device for temporarily holding doors open  
 Doors held open at an opening angle of 130° hinge side  
 Continuously adjustable holding force  
 Not approved for use on fire and smoke protection doors



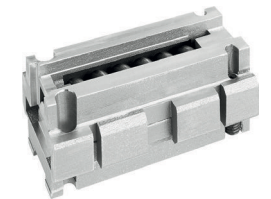
### Carry bar A102

Enable the correct opening sequence of double doors, installed to inactive door leaf on non-hinge side  
 (G461/G462/G464 installed on non-hinge side)



### Opening damper A188

Helps to prevent the door and door handle from hitting a return wall.  
 Simple installation in the guide rail, but doesn't replace the need for a door stop

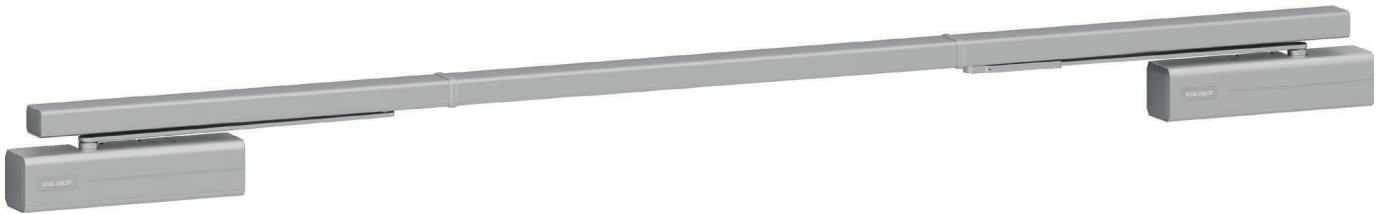


Designation / Item	Order no.
Guiderail with door coordinator non-hinge side, doors up to 2500 mm wide, silver EV1	<b>DCG-22-10-DEV1-</b>
Guiderail with door coordinator non-hinge side, doors up to 2500 mm wide, white, similar to RAL9016	<b>DCG-22-10-D9016</b>
Guiderail with door coordinator non-hinge side, doors up to 2500 mm wide, stainless steel design	<b>DCG-22-10-D35--</b>
Guiderail with door coordinator non-hinge side, doors up to 2500 mm wide, customised finish	<b>DCG-22-10-DXXXX</b>
Carry bar A102, silver EV1	<b>DCA102-----EV1-</b>

Designation / Item	Order no.
Mechanical Hold-Open Device A158	<b>DCA158-----</b>
Mounting plate A180, doors up to 2500 mm wide, silver EV1	<b>DCA180-----EV1-</b>
Mounting plate A180, doors up to 2500 mm wide, white, similar to RAL9016	<b>DCA180-----9016</b>
Angle bracket A181, doors up to 2500 mm wide, silver EV1	<b>DCA181-----EV1-</b>
Angle bracket A181, doors up to 2500 mm wide, white, similar to RAL9016	<b>DCA181-----9016</b>
Opening damper A188	<b>DCA188-----</b>

## DC700G-CO-CE

Door closer with Cam-Motion® technology, electromechanical hold-open device and integrated mechanical door selector; non-hinge side



### ASSAABLOYDC700G-CO-CE

- Door closer with CamMotion® technology with electromechanical hold-open mode and integrated mechanical door selector for two-leaf doors, non-hinge side
- Certified in compliance with EN1155/1158, size 3-6
- Mechanical door coordinator in continuous guide rail
- Hold-open angle continuously adjustable between 80°-110°
- Hold-open device is traversable
- All components integrated into continuous guide rail
- Fulfills barrier-free building requirements (DIN 18040 / CENTR15894)
- Suitable for fire and smoke protection doors with hinge distance up to 2800 mm
- DIBt approval with different smoke detection systems

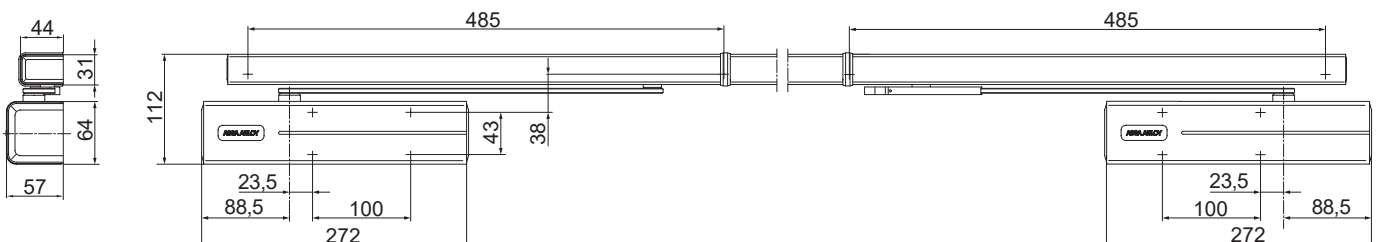
### Characteristics of DC700G-CO-CE

- Can be used for left and right-handed doors
- Thermodynamic valves for consistent performance
- Regular mounting on non-hinge side, can be used for left and right-handed doors
- Traversable hold-open device, continuously adjustable between ca. 80° - 110°
- For doors with panic function in conjunction with the driving flap A102
- Symmetric and asymmetric door partition possible, minimum width of the inactive leaf = 400 mm
- Door opening angle up to approx. 120°, maximum opening angle limited
- Guide rail height-adjustable by 2 mm for tolerance
- Axis continuously height-adjustable up to 14 mm
- Variable adjustable closing force
- Thermodynamic valves for consistent performance
- Effective backcheck and latching speed range adjustable
- Electro-mechanical hold-open device
- Door coordinator based on wedge system
- Continuously adjustable holding force
- Closing speed, latching speed and backcheck adjustable via front facing regulating valves
- Standard colours: silver EV1, white similar to RAL9016, stainless steel design
- Customised finishes available on request



CE	ASSA ABLOY Sicherheitstechnik GmbH Bildstockstraße 20 72458 Albstadt	15
	DC700G-CO-E EN1155:1997/A1:2002/AC:2006 0432-CPR-00007-20	
Dangero substances: None		

CE	ASSA ABLOY Sicherheitstechnik GmbH Bildstockstraße 20 72458 Albstadt	15
	DC700G-CO EN1158:1997/A1:2002/AC:2006 0432-CPR-00007-21	
Dangero substances: None		



# DC700G-CO-CE

## Technical attributes

### Guide rail G-CO-CE

Technical attributes	
Required power supply	24 V DC
Rated current consumption	2 x ca. 75 mA
Continuous duty	100%
Class of protection	IP43
Weight	4.5 kg
Height	30 mm
Depth	43.5 mm
Length	Depending on overall door width
Max. door opening angle	Up to 120°
Certified in compliance with	EN 1155/1158
CE marking for building products	Yes

Facts for door closer see DC700

### The advantages at a glance

Customer segment	Advantages
Project planners	<ul style="list-style-type: none"> <li>- Extensive range of uses: Fire and smoke protection doors as well as standard doors</li> <li>- Modern design</li> <li>- Compact design</li> <li>- Hold-open device is traversable</li> <li>- Mechanical door coordinator for optimum functional reliability</li> </ul>
Builders	<ul style="list-style-type: none"> <li>- Simple, rapid installation and adjustment</li> <li>- Symmetrical drilling template</li> <li>- Can be used for left and right handed doors for standard mounting on non-hinge side</li> <li>- Adjustable to nearly all door and frame types</li> <li>- Optimum reliability and service life for door coordinator</li> </ul>
Trade	<ul style="list-style-type: none"> <li>- Reduced inventory costs due to modular product range</li> </ul>
User	<ul style="list-style-type: none"> <li>- Adjustable operating force, to meet door construction requirements and user need</li> <li>- Mechanical door coordinator for optimum functional reliability</li> <li>- Optimum usage convenience thanks to controlled closing of door in correct order</li> </ul>

Our service for you: here you can see the individual advantages of our door closer models for your respective field of business.

### Specifications for DC700G-CO-CE

ASSAABLOY door closer with Cam-Motion® technology, continuous guide rail with mechanical door selector, electro-mechanical hold-open device, EN size 3-6

- Variable adjustable closing force
- 14 mm height adjustable arm system for ease of fitting
- Closing speed, latching speed and backcheck adjustable via front facing regulating valves
- Can be used for left and right handed doors for standard mounting on non-hinge side
- Hold-open mode continuously adjustable between approx. 80° and 110°, holding force adjustable
- Hold-open device is traversable

### Accessories:

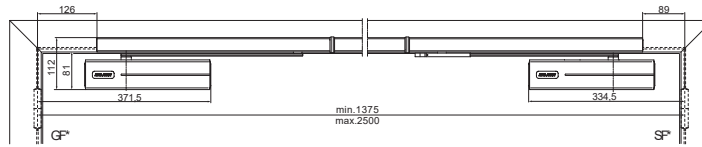
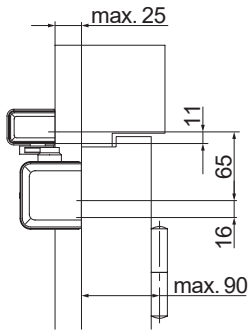
- Mounting plate A180
- Smoke detector station RZ100
- Ceiling smoke detector ORS142 / TDS 247
- Angle bracket A181
- Mechanical opening damper A188
- Carry bar A102

### Colour:

- Silver EV1
- White, similar to RAL9016
- Stainless steel design
- Customised finish

You can find the complete specification on the internet at: [www.assaabloy.de](http://www.assaabloy.de)

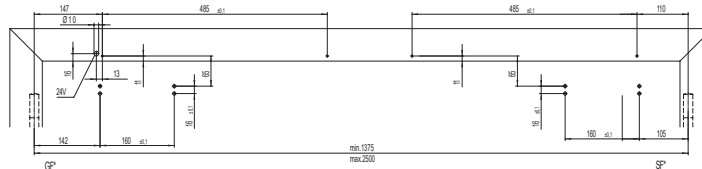




### Required space on doors

Active leaf DIN right shown in the diagram  
Active leaf DIN left is the reverse

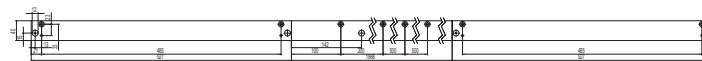
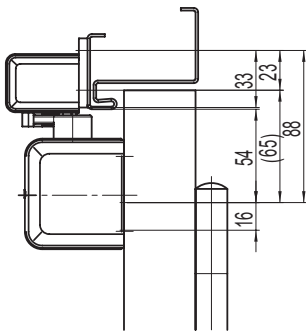
GF\* = Active leaf  
SF\* = Inactive leaf



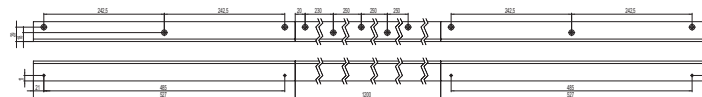
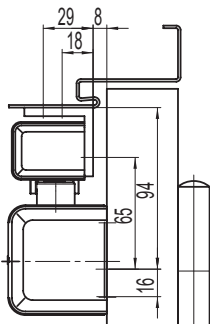
### Installation dimensions

Active leaf DIN right shown in the diagram  
Active leaf DIN left is the reverse

GF\* = Active leaf  
SF\* = Inactive leaf



### Mounting plate A180



### Angle bracket A181

# DC700G-CO-CE

## Accessories and order placement information

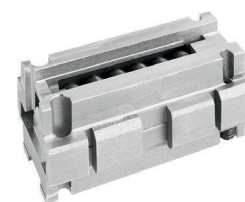
### Carry bar A102

Enable the correct opening sequence of double doors, installed to inactive door leaf on non-hinge side  
(G461/G462/G464 installed on non-hinge side)



### Opening damper A188

Helps to prevent the door and door handle from hitting a return wall.  
Simple installation in the guide rail, but doesn't replace the need for a door stop

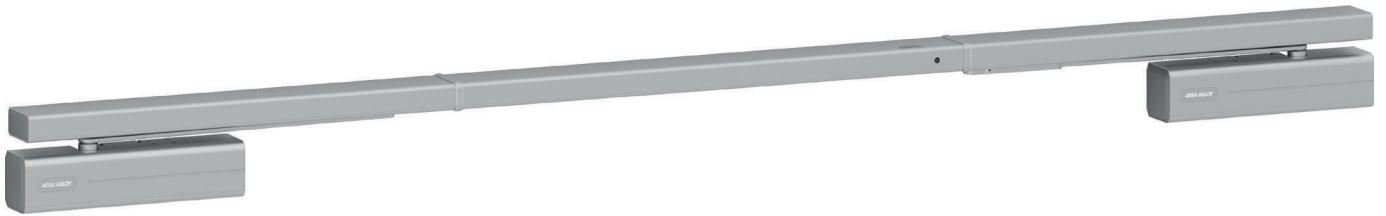


Designation/ Item	Order no.
Guiderail with door coordinator, hold-open device on both sides. Doors up to 2500 mm wide, silver EV1	<b>DCG-22-22NDEV1-</b>
Guiderail with door coordinator non-hinge side, hold-open device on both sides, doors up to 2500 mm wide, white, similar to RAL9016	<b>DCG-22-22ND9016</b>
Guiderail with door coordinator, hold-open device on both sides. Doors up to 2500 mm wide, Stainlesssteel design	<b>DCG-22-22ND35--</b>
Guiderail with door coordinator, hold-open device on both sides. Doors up to 2500 mm wide, customised finish	<b>DCG-22-22NDXXXX</b>

Designation/ Item	Order no.
Carry bar A102, silver EV1	<b>DCA102-----EV1-</b>
Mounting plate A180, doors up to 2500 mm wide, silver EV1	<b>DCA180-----EV1-</b>
Mounting plate A180, doors up to 2500 mm wide, white, similar to RAL9016	<b>DCA180-----9016</b>
Angle bracket A181, doors up to 2500 mm wide, silver EV1	<b>DCA181-----EV1-</b>
Angle bracket A181, doors up to 2500 mm wide, white, similar to RAL9016	<b>DCA181-----9016</b>
Opening damper A188	<b>DCA188-----</b>

# DC700G-CO-CS

Door closer with Cam-Motion® technology with electro-mechanical hold open device, smoke detector and integrated mechanical door coordinator, non-hinge side



## ASSA ABLOY DC700G-CO-CS

- Door closer with Cam-Motion® technology with electro-mechanical hold-open device, smoke detector and integrated mechanical door coordinator for double leaf doors, DIBt approval Z-6.5-2166
- DIBt approval Z-6.5-2166
- Mechanical door coordinator in continuous guide rail
- Smoke switch with contamination indicator and alarm threshold monitoring
- Integrated 230 V power supply
- All components fully integrated into continuous guide rail
- Fulfills barrier-free building requirements (DIN 18040 / CENTR15894)
- Suitable for fire and smoke protection doors with a hinge distance between 1430 mm and 2500 mm

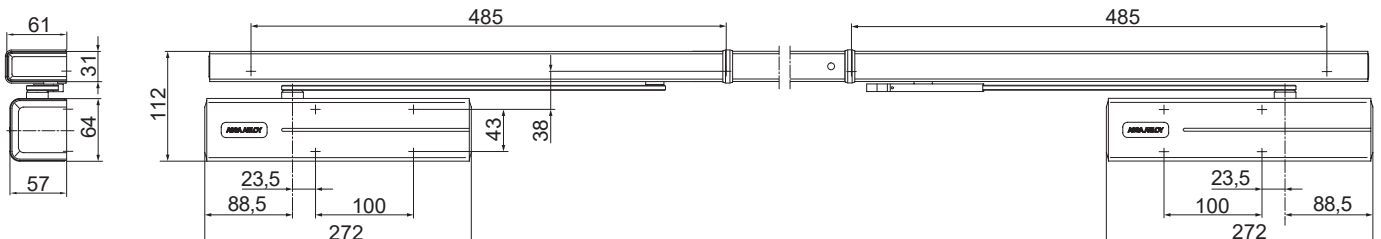
## Characteristics of DC700G-CO-CS

- Door coordinator based on wedge system
- Regular mounting on non-hinge side, can be used for left and right-handed doors
- Optical smoke detector after scattered light principle
- Status displayed on LED: operational mode, alarm, maintenance
- Integrated potential-free alarm relay
- Can be activated by a fire alarm system
- Connectivity for manual release buttons and ceiling smoke detectors
- Electro-mechanical hold-open device
- Continuously adjustable holding force
- Traversable arrestor point, continuously adjustable between approx. 80°-110°
- Flush or surface installation of wiring possible, 230 V AC
- For doors with panic function in conjunction with the driving flap A102
- Symmetric and asymmetric door partition possible, minimum width of the inactive leaf = 400 mm
- Door opening angle up to approx. 120°, maximum opening angle limited
- Guide rail height-adjustable by 2 mm for tolerance
- Axis continuously height-adjustable up to 14 mm
- Closing speed, latching speed and backcheck adjustable via front facing regulating valves
- Variable adjustable closing force
- Thermodynamic valves for consistent performance
- Effective backcheck and latching speed range adjustable
- Standard colours: silver EV1, white similar to RAL9016, stainless steel design
- Customised finishes available on request



CE	ASSA ABLOY Sicherheitstechnik GmbH Bildstockstraße 20 72458 Albstadt	15
	DC700G-CO-E	
EN1155:1997/A1:2002/AC:2006 0432-CPR-00007-20		
Dangeroussubstances:None		

CE	ASSA ABLOY Sicherheitstechnik GmbH Bildstockstraße 20 72458 Albstadt	15
	DC700G-CO	
EN1158:1997/A1:2002/AC:2006 0432-CPR-00007-21		
Dangeroussubstances:None		



# DC700G-CO-CS

## Technical attributes

### Guide rail G-CO-CS

Technical attributes	
Required power supply	230 V supply voltage
Rated current consumption	2 x ca. 75 mA
Continuous duty	100%
Class of protection	IP20
Weight	5.0 kg
Height	30 mm
Depth	61 mm
Length	Depending on overall door width
Max. door opening angle	Up to 120°
Certified in compliance with	EN1155/1158
CE marking for building products	Yes
General technical approval as Arrester system	Z-6.5-2166

Facts for door closer see DC700

### The advantages at a glance

Customer segment	Advantages
Project planners	<ul style="list-style-type: none"> <li>- Extensive range of uses: fire, smoke protection and standard doors (with issuance of DIBt approval)</li> <li>- Modern design</li> <li>- Compact design</li> <li>- Hold-open device is traversable</li> <li>- Mechanical door coordinator for optimum functional reliability</li> <li>- Harmonious appearance thanks to smoke detector fully integrated into guide rail</li> </ul>
Builders	<ul style="list-style-type: none"> <li>- Simple, rapid installation and adjustment</li> <li>- Symmetrical drilling template</li> <li>- Can be used for left and right handed doors for standard mounting on non-hinge side</li> <li>- Adjustable to nearly all door and frame types</li> <li>- Optimum reliability and service life for door coordinator</li> </ul>
Trade	<ul style="list-style-type: none"> <li>- Reduced inventory costs due to modular product range</li> </ul>
User	<ul style="list-style-type: none"> <li>- Automatic alarm reset</li> <li>- Status displayed on LED: operational mode, alarm, maintenance</li> <li>- Adjustable operating force, to meet door construction requirements and user need</li> <li>- Optimum usage convenience thanks to controlled closing of door in correct order</li> </ul>

Our service for you: here you can see the individual advantages of our door closer models for your respective field of business.

### Specifications for DC700G-CO-CS

ASSAABLOY door closer with Cam Motion® technology, continuous guide rail with mechanical door selector, electro-mechanical hold-open mode, integrated smoke detector and 230V power supply, EN size 3-6

- Variable adjustable closing force
- 14 mm height adjustable arm system for ease of fitting
- Closing speed, latching speed and backcheck adjustable via front facing regulating valves
- Can be used for left and right handed doors for standard mounting on non-hinge side
- Hold-open mode continuously adjustable between approx. 80° and 110°, holding force adjustable
- Hold-open device is traversable
- Integrated smoke detector with contamination indicator and alarm threshold monitoring

### Accessories:

- Mounting plate A179
- Mechanical opening damper A188
- Carry bar A102
- Ceiling smoke detector ORS142 / TDS 247
- Flush-mounted or surface-mounted release button

### Colour:

- Silver EV1
- White, similar to RAL9016
- Stainless steel design
- Customised finish

You can find the complete specification on the internet at: [www.assaabloy.de](http://www.assaabloy.de)



# DC700G-CO-CS

## Accessories and order placement information

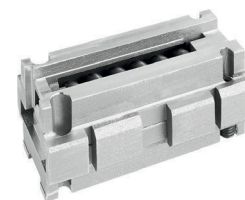
### Carry bar A102

Enable the correct opening sequence of double doors, installed to inactive door leaf on non-hinge side  
(G461/G462/G464 installed on non-hinge side)



### Opening damper A188

Helps to prevent the door and door handle from hitting a return wall.  
Simple installation in the guide rail, but doesn't replace the need for a door stop



Designation/ Item	Order no.
Guiderail with door coordinator non-hinge side, smoke detector, hold-open device on both sides, doors up to 2500 mm wide, silver EV1	<b>DCG-22-32NDEV1-</b>
Guiderail with door coordinator non-hinge side, smoke detector, hold-open device on both sides, doors up to 2500 mm wide, white, similar to RAL9016	<b>DCG-22-32ND9016</b>
Guiderail with door coordinator non-hinge side, smoke detector, hold-open device on both sides, doors up to 2500 mm wide, stainless steel design	<b>DCG-22-32ND35--</b>

Designation/ Item	Order no.
Guiderail with door coordinator non-hinge side, smoke detector, hold-open device on both sides, doors up to 2500 mm wide, customised finish	<b>DCG-22-32NDXXXX</b>
Carry bar A102, silver EV1	<b>DCA102----EV1-</b>
Opening damper A188	<b>DCA188-----</b>

# DC700G-CO-FM

Free-Motion® door closer with Cam-Motion® technology, free-swing function and integrated mechanical door selector



### ASSAABLOY DC700G-CO-FM

- Free-Motion® door closer system for double leaf doors with free-swing function on the active leaf, starting from a door release angle of  $\geq 0^\circ$ , Cam-Motion® door closer (DC700) on the inactive leaf and guide rail with integrated door operator
- Tested in accordance with EN1155/1158
- Mechanical door coordinator in continuous guide rail
- Fulfills barrier-free requirement (EA/ CENTR15894)
- Fulfills barrier-free building requirements (DIN 18040 / CENTR15894)
- DIBt tested as a hold-open system with various smoke detector systems

### Characteristics of DC700G-CO-FM

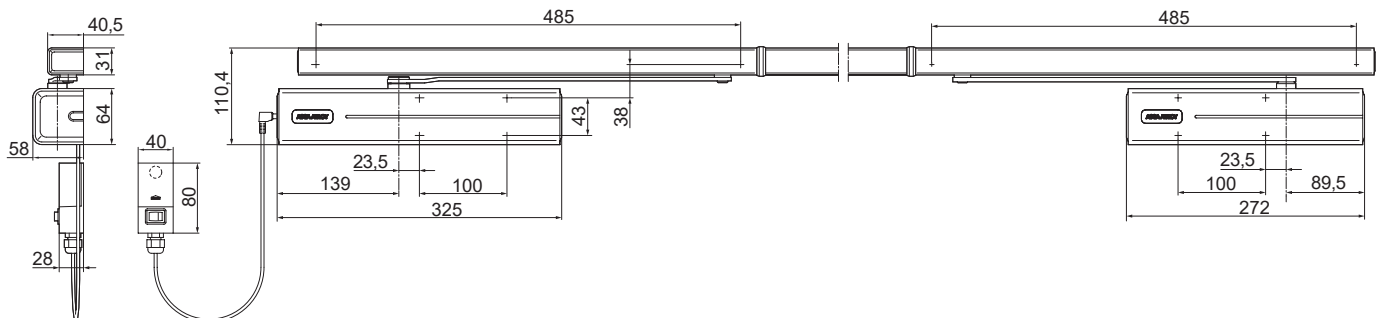
- Easy, initial door opening due to the rapidly decreasing opening force. When active, the free-swing function enables permanent opening of the door without the resistance of the door closer
- Active leaf can be moved freely and, if necessary only in case of power failure only, is closed automatically by the integrated smoke detector with the disconnection of the supply voltage; the inactive leaf closes automatically after each opening process
- Integrated door selector for closing of the doors in the correct sequence in all operating modes
- Guide rail height-adjustable by 2 mm for tolerance
- Closing speed and latching speed adjustable via front facing regulating valves
- Axis continuously height-adjustable up to 14 mm
- Closing speed and latching speed adjustable via front facing regulating valves
- Variable adjustable closing force
- Thermodynamic valves for consistent performance
- Effective latching speed range adjustable
- Standard colours: silver EV1, white similar to RAL9016, stainless steel design
- Customised finishes available on request



CE	ASSA ABLOY Sicherheits-technik GmbH Bildstockstraße 20 72458 Albstadt	15
	DC700G-CO EN1155:1997/A1:2002/AC:2006 0432-CPR-00007-21	
Dangerous substances: None		

CE	Abloy Oy, PO Box 108 80101 Joensuu Finland	15
	DC700G-FM EN1155:1997/A1:2002/AC:2006-02 EN1154:1996/A1:2002/AC:2006-02 0432-CPR-00008-06	
Dangerous substances: None		

CE	Abloy Oy, PO Box 108 80101 Joensuu Finland	16
	DC700 EN1154:1996/A1:2002/AC:2006 1121-CPR-AD5238	
Dangerous substances: None		



# DC700G-CO-FM

## Technical attributes

### Free-Motion® guide rail G-CO-FM

Technical attributes	
Required power supply	24 V DC
Rated current consumption	ca. 90 mA
Continuous duty	100% ED
Class of protection	IP43
Weight	4.5 kg
Height	30 mm
Depth	43.5 mm
Length	Depending on overall door width
Suitable for fire doors	Yes
Max. door opening angle	ca. 170°
Certified in compliance with	EN1158
CE marking for building products	Yes

Facts for door closer see DC700

### The advantages at a glance

Customer segment	Advantages
Project planners	<ul style="list-style-type: none"> <li>- Extensive range of uses: Fire and smoke protection doors as well as standard doors</li> <li>- Modern design</li> <li>- Compact design</li> <li>- Mechanical door coordinator for optimum functional reliability</li> <li>- Fulfills barrier-free building requirements (EA / CENTR15894)</li> <li>- For doors with door width up to 1400 mm</li> </ul>
Builders	<ul style="list-style-type: none"> <li>- One drilling template overall</li> <li>- Simple, rapid installation and adjustment</li> <li>- Can be used for left and right handed doors for standard mounting on hinge side</li> <li>- Adjustable to nearly all door and frame types</li> <li>- Optimum reliability and service life for door coordinator</li> <li>- For doors with door width up to 1400 mm</li> <li>- Pre-assembled component modules for quick installation</li> </ul>
Trade	<ul style="list-style-type: none"> <li>- Reduced inventory costs due to modular product range</li> </ul>
User	<ul style="list-style-type: none"> <li>- Optimum usage convenience thanks to controlled closing of door in correct order</li> <li>- Free-swing function starting from door opening angle <math>\geq 0^\circ</math>. Easy door opening without the resistance of the door closer, is approved for use on fire doors</li> <li>- Easier and more comfortable opening of the door due to rapidly decreasing opening force even at activation of Free-Motion® function</li> </ul>

Our service for you: here you can see the individual advantages of our door closer models for your respective field of business.

### Specifications for DC700G-CO-FM

ASSAABLOY compact Free-Motion® door closer with Cam-Motion® technology, free-swing function starting from a door opening angle  $\geq 0^\circ$  at active leaf, with integrated mechanical door coordinator, in compliance to EN1155/1158

- Closing power adjustable, EN size 3-6, for doors up to 1400 mm wide
- Fulfills barrier-free requirement (EA/ CENTR15894)
- Closing speed and latching speed adjustable via front facing regulating valves
- Can be used with mounting plate for fire and smoke protection doors
- Can be used for left and right handed doors for standard mounting on hinge side
- Cable routing between junction box and leaf mounting
- 14 mm height adjustable arm system for ease of fitting

### Accessories:

- Mounting plate A160 for guide rail G-CO-FM
- Smoke detector station RZ100
- Ceiling smoke detector ORS142 / TDS 247
- Arrester System Control Unit Model 92020-10
- Optical smoke detector 60060
- Flush-mounted or surface-mounted release button
- Mechanical opening damper A188

### Colour:

- Silver EV1
- White, similar to RAL9016
- Stainless steel
- Customised finish

You can find the complete specification on the internet at: [www.assaabloy.de](http://www.assaabloy.de)



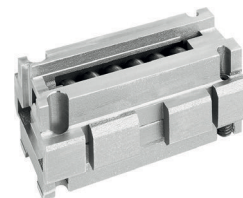


# DC700G-CO-FM

## Accessories and order placement information

### Opening damper A188

Helps to prevent the door and door handle from hitting a return wall. Simple installation in the guide rail, but doesn't replace the need for a door stop



### Flush-mounted releasebutton 1317-10

Flush-mounted interrupter pushbutton with red actuator field, labelled „Close door“. For controlling fail-unlocked components, such as holding magnets and fail-unlocked strikes, and as a manual switch / control for arrester systems. Changeover contact switch



### Surface-mounted releasebutton 1316-10

Surface-mounted interrupter pushbutton with red actuator field, labelled „Close door“. For controlling fail-unlocked components, such as holding magnets and fail-unlocked strikes, and as a manual switch / control for arrester systems. Changeover contact switch.



### Notice

According to local laws/requirements, an external releasebutton is mandatory for free-swing door closers with hold open devices

Designation / Item	Order no.
Free-Motion® guide rail with door coordinator, door width 2500 mm, silver EV1	<b>DCG-21-40-DEV1-</b>
Free-Motion® guide rail with door coordinator, door width 2500 mm, white similar RAL9016	<b>DCG-21-40-D9016</b>
Free-Motion® guide rail with door coordinator, door width 2500 mm, stainless steel design	<b>DCG-21-40-D35--</b>
Free-Motion® guide rail with door coordinator, door width 2500 mm, customised finish	<b>DCG-21-40-DXXXX</b>
Free-Motion® guide rail with door coordinator, door width 3200 mm, silver EV1	<b>DCG-23-40-DEV1-</b>
Free-Motion® guide rail with door coordinator, door width 3200 mm, similar RAL9016	<b>DCG-23-40-D9016</b>
Free-Motion® guide rail with door coordinator, door width 3200 mm, stainless steel design	<b>DCG-23-40-D35--</b>
Free-Motion® guide rail with door coordinator, door width 3200 mm, customised finish	<b>DCG-23-40-DXXXX</b>

Designation / Item	Order no.
Mounting Plate A160, doors up to 3200 mm wide, silver EV1	<b>DCA160-----EV1-</b>
Mounting Plate A160, doors up to 3200 mm wide, white, similar to RAL9016	<b>DCA160-----9016</b>
Opening damper A188	<b>DCA188-----</b>
Interrupter push-buttons 1316-10, surface-mounted	<b>1316-10-----00</b>
Interrupter push-buttons 1317-10, flush-mounted	<b>1317-10-----00</b>

# DC700G-CO-FMS

Free-Motion® door closer with Cam-Motion® technology, integrated mechanical door coordinator and smoke detector



### ASSA ABLOY DC700G-CO-FMS

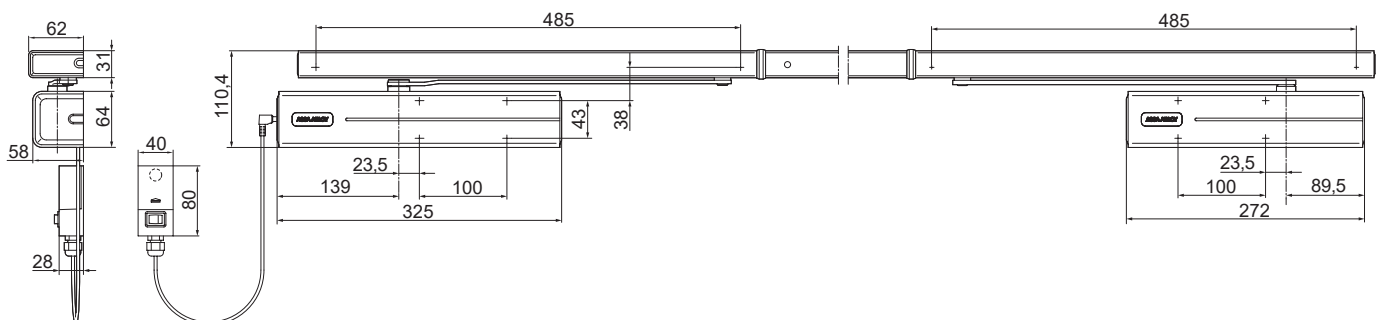
- Free-Motion® door closer for double leaf doors with free-swing function on the active leaf, starting from a door opening angle of  $\geq 0^\circ$ , Cam-Motion® door closer on the inactive leaf with integrated door coordinator and smoke detector
- DIBt asa hold-open system Z-6.5-2166
- Tested in accordance with EN1155/1158
- Mechanical door coordinator in continuous guide rail
- Fulfills barrier-free building requirements (DIN 18040 / CENTR15894)
- Smoke switch with contamination indicator and alarm threshold monitoring
- Fulfills barrier-free requirement (EA/ CENTR15894)
- Suitable for fire and smoke protection doors with a hinge distance of 1400 – 2500mm (3200mm)

### Characteristics of DC700G-CO-FMS

- Easy, initial opening due to the rapidly decreasing opening force. When active, the free-swing function enables permanent opening of the door without the resistance of the door closer
- Active leaf can be moved freely and, in case of a fire only, is closed automatically by the integrated smoke detector with the disconnection of the supply voltage; the inactive leaf closes automatically after each opening process
- Integrated door selector for closing of the doors in the correct sequence in all operating modes
- Optical smoke detector according to the scattered light principle, status indication by LED: operating mode, alarm, error
- Connectivity for manual release button and ceiling smoke detectors; German mandatory according to the DIBt approval
- Guide rail height-adjustable by 2 mm for tolerance
- Closing speed and latching speed adjustable via front facing regulating valves
- Axis continuously height-adjustable up to 14 mm
- Variable adjustable closing force
- thermodynamische Ventile für konstante Geschwindigkeiten
- Effective latching speed range adjustable
- Standard colour: silver EV1, white similar to RAL9016, stainless steel design
- Customised finishes available on request



	ASSA ABLOY Sicherheitsstechnik GmbH Bildstockstraße 20 72458 Albstadt			15
DC700G-CO	EN1158:1997/A1:2002/AC:2006 0432-CPR-00007-21	3 5 6 3 1 4		
Dangerous substances: None				
	Abloj Oy, PO Box 108 80101 Joensuu Finland			15
DC700G-FM	EN1155:1997/A1:2002/AC:2006-02 EN1154:1996/A1:2002/AC:2006-02 0432-CPR-00008-06	3 8 6 3 1 3		
Dangerous substances: None				
	Abloj Oy, PO Box 108 80101 Joensuu Finland			16
DC700	EN1154:1996/A1:2002/AC:2006 1121-CPR-AD5238	3 8 6 3 1 4		
Dangerous substances: None				



# DC700G-CO-FMS

## Technical attributes

### Free-Motion® guide rail G-CO-FMS

Technical attributes	
Required power supply	230 V supply voltage
Rated current consumption	ca. 100 mA
Continuous duty	100% ED
Class of protection	IP20
Weight	5.0 kg
Height	30 mm
Depth	61 mm
Length	Depending on overall door width
Max. door opening angle	ca. 170°
Suitable for fire doors	Yes
Certified in compliance with	EN1158
DIBt approval for hold open device	Z-6.5-2166

Facts for door closer see DC700

### The advantages at a glance

Customer segment	Advantages
Project planners	<ul style="list-style-type: none"> <li>- Extensive range of uses: Fire and smoke protection doors as well as standard doors</li> <li>- Modern design</li> <li>- Hold-open device is traversable</li> <li>- Mechanical door coordinator for optimum functional reliability</li> <li>- Harmonious appearance thanks to smoke detector fully integrated into guide rail</li> <li>- Fulfills barrier-free building requirements (EA / CENTR15894)</li> </ul>
Builders	<ul style="list-style-type: none"> <li>- One drilling template overall</li> <li>- Simple, rapid installation and adjustment</li> <li>- Can be used for left and right handed doors for standard mounting on hinge side</li> <li>- Adjustable to nearly all door and frame types</li> <li>- Optimum reliability and service life for door coordinator</li> <li>- For doors with door width up to 1400 mm</li> <li>- Pre-assembled component modules for quick installation</li> </ul>
Trade	<ul style="list-style-type: none"> <li>- Reduced inventory costs due to modular product range</li> </ul>
User	<ul style="list-style-type: none"> <li>- Automatic alarm reset</li> <li>- Status displayed on LED: operational mode, alarm, maintenance</li> <li>- Optimum usage convenience thanks to controlled closing of door in correct order</li> <li>- Free-swing function starting from door opening angle <math>\geq 0^\circ</math>. Easy door opening without the resistance of the door closer, is approved for use on fire doors</li> </ul>

Our service for you: here you can see the individual advantages of our door closer models for your respective field of business.

### Specifications for DC700G-CO-FMS

- ASSAABLOY compact Free-Motion® door closer with Cam-Motion® technology, free-swing function starting from a door opening angle  $\geq 0^\circ$  at active leaf, with integrated mechanical door coordinator, integrated smoke detector and power supply, in compliance to EN1155/1158
- Closing power adjustable, EN size 3-6, for doors up to 1400 mm wide
- Fulfills barrier-free requirement (EA/ CENTR15894)
- Closing speed and latching speed adjustable via front facing regulating valves
- Can be used with mounting plate for fire and smoke protection doors
- Can be used for left and right handed doors for standard mounting on hinge side
- Cable routing between junction box and leaf mounting
- 14 mm height adjustable arm system for ease of fitting
- Smoke detector with contamination indicator and alarm threshold monitoring
- Two smoke protection detector connectable

### Accessories:

- Mounting plate A159 for guide rail G-CO-FMS
- Ceiling smoke detector ORS142 / TDS 247
- Flush-mounted or surface-mounted release button
- Mechanical opening damper A188

### Colour:

- Silver EV1
- White, similar to RAL9016
- Stainless steel
- Customised finish

You can find the complete specification on the internet at: [www.assaabloy.de](http://www.assaabloy.de)

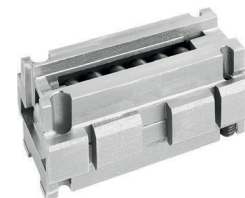


# DC700G-CO-FMS

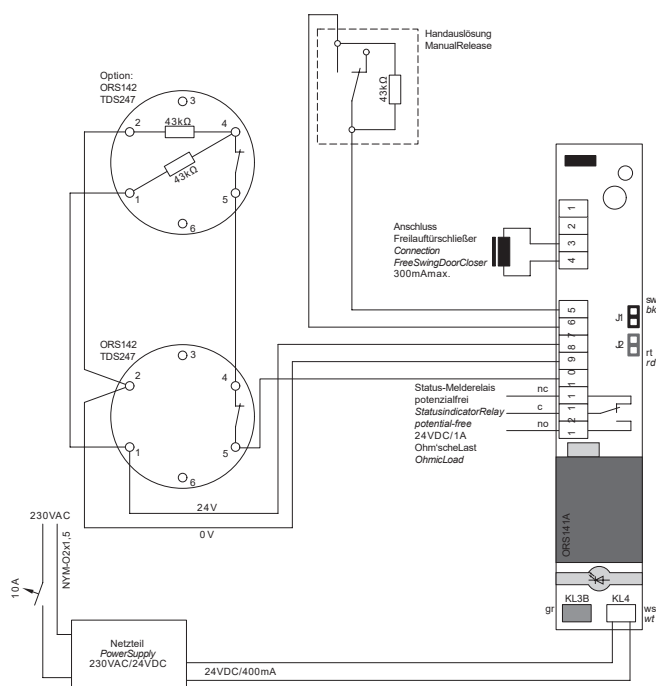
## Accessories and order placement information

### Opening damper A188

Helps to prevent the door and door handle from hitting a return wall.  
Simple installation in the guide rail, but doesn't replace the need for a door stop



Wiring diagram



Designation/ Item	Order no.
Freemotion guide rail with door coordinator and smoke detector, door width 2500 mm, silver EV1	<b>DCG-21-50-DEV1-</b>
Freemotion guide rail with door coordinator and smoke detector, door width 2500 mm, white similar RAL9016	<b>DCG-21-50-D9016</b>
Freemotion guiderail with door coordinator and smoke detector, door width 2500 mm, stainless steel design	<b>DCG-21-50-D35--</b>
Freemotion guide rail with door coordinator and smoke detector, door width 2500 mm, customised finish	<b>DCG-21-50-DXXXX</b>
Freemotion guide rail with door coordinator and smoke detector, door width 3200 mm, silver EV1	<b>DCG-23-50-DEV1-</b>
Freemotion guide rail with door coordinator and smoke detector, door width 3200 mm, white similar RAL9016	<b>DCG-23-50-D9016</b>

Designation/ Item	Order no.
Freemotion guiderail with door coordinator and smoke detector, door width 3200 mm, stainless steel design	<b>DCG-23-50-D35--</b>
Freemotion guide rail with door coordinator and smoke detector, door width 3200 mm, customised finish	<b>DCG-23-50-DXXXX</b>
Mounting Plate DCA159, doors up to 3200 mm wide, silver EV1A159	<b>DCA159-----EV1-</b>
Mounting Plate DCA159, doors up to 3200 mm wide, white, similar to 9016 A159	<b>DCA159-----9016</b>
Mounting Plate DCA159, doors up to 3200 mm wide, customised finish	<b>DCA159-----XXXX</b>
Opening damper A188	<b>DCA188-----</b>

## DC700with G460

# Door closerwith Cam-Motion® technology and electromechanical hold-open device



### ASSAABLOYDC700 with G460

- Door closer with Cam-Motion® technology and guide rail with electro-mechanical hold-open device for single leaf doors
- Certified in compliance with EN1154/EN1155, size 3-6
- Hold-open angle continuously adjustable between 70°-130°
- Suitable for fire and smoke protection doors up to 1400 mm wide

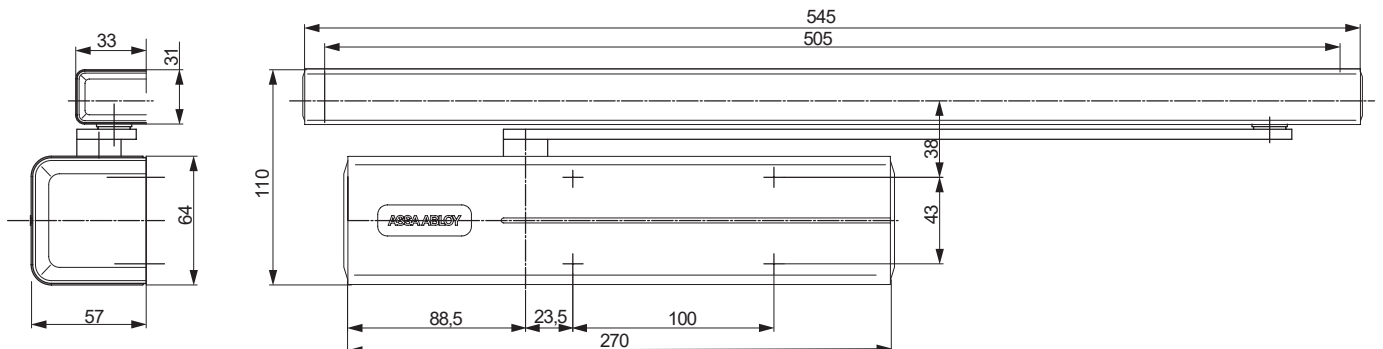
### Characteristic of DC700 with G460

- Electro-mechanical hold-open device
- Continuously adjustable holding force
- Hold-open angle adjustable between 70°-130°
- Door opening angle up to 130°
- Can be used for left and right handed doors
- Standard mounting position on hinge side and non-hinge side
- Axis continuously height adjustable up to 14 mm
- Largerange of applications
- Standard colours: silver EV1; white, similar to RAL9016; brown, similar to RAL8014; black, similar to RAL9005, stainless steel
- Customised finishes available on request



CE	Abloy Oy, PO Box 108 80101 Joensuu Finland	Wrench and screwdriver icon	QR code	10				
					G460	EN1155:1997+A1:2002	0432-CPD-0050	3
Dangerous substances: None								

CE	Abloy Oy, PO Box 108 80101 Joensuu Finland	Wrench and screwdriver icon	QR code	16				
					DC700	EN1154:1996/A1:2002/AC:2006	1121-CPR-AD5238	3
Dangerous substances: None								



# DC700 with G460

## Technical attributes

### Guide rail G460

Technical attributes	
Door width up to	1400 mm
Hold open angle (continuously adjustable)	70° - 130°
Hold open angle non-hinge side installation	70° - 120°
Required power supply	24 V DC
Max. consumption	60 mA
Weight	1.2 kg
Height	31 mm
Depth	34 mm
Length	545 mm
Certified in compliance with	EN1154 / EN1155
CE marking for building products	Yes

Facts for door closer see DC700

### The advantages at a glance

Customer segment	Advantages
Project planners	- Extensive range of uses: Fire and smoke protection doors as well as standard doors - Modern design - Compact design
Builders	- Adjustable to nearly any door and frame types - Quick and easy installation - Quickly and easily adjustable - Suitable for left and right handed doors for standard mounting on hinge and non hinge side
Trade	- Reduced inventory costs due to modular product range - One single product suitable for a large variety of mounting positions
User	- Adjustable operating force, to meet door construction requirements and user need

Our service for you: here you can see the individual advantages of our door closer models for your respective field of business.

### Specification for DC700 with G460

ASSAABLOY door closer DC700 with Cam-Motion® technology, guide rail G460 with electro-mechanical hold-open device, 24 V DC

- Power supply 24 V DC
- Hold-open force continuously adjustable, EN size 3 – 6
- Hold-open angle adjustable between 70° - 130°
- Hold-open angle non-hinge side adjustable between 70° and 120°
- Can be used for left and right handed doors
- Standard mounting position on hinge side and non-hinge side
- Axis continuously height adjustable up to 14 mm
- Larger range of applications
- With technical approval for different smoke detection systems

### Accessories:

- Mounting plate A115
- Angle bracket A116
- Smoke protection detector A177
- Flush mounted door release button A178

### Colour:

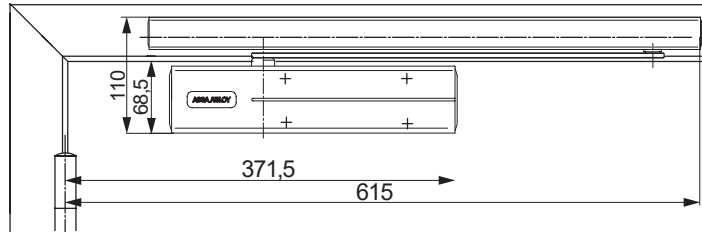
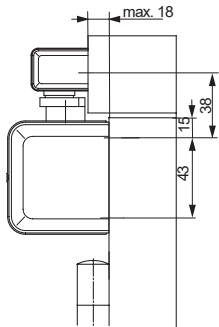
- Silver EV1
- White, similar to RAL9016
- Brown, similar to RAL8014
- Black, similar to RAL9005
- Stainless steel

You can find the complete specification on the internet at: [www.assaabloy.de](http://www.assaabloy.de)

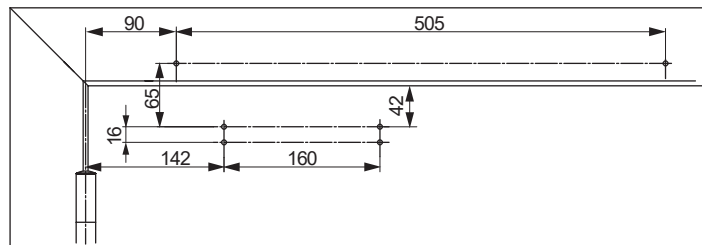
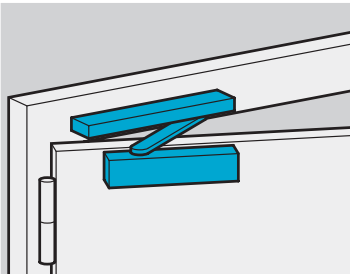


# DC700with G460

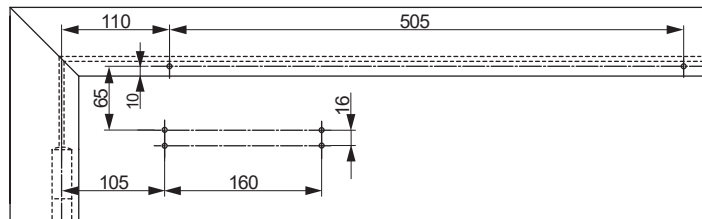
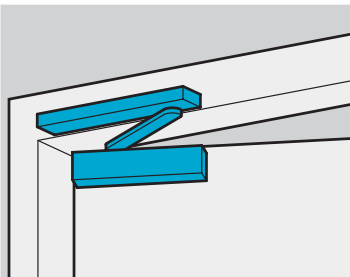
## Dimensional drawings and accessories



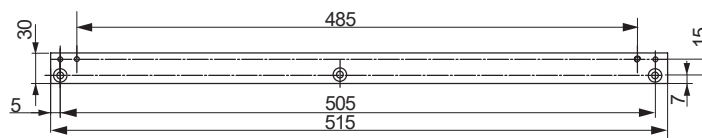
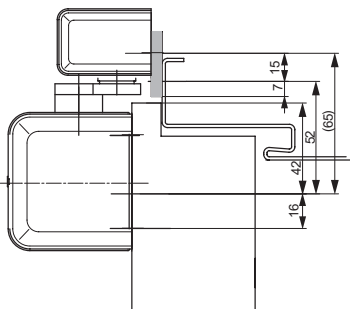
**Regular mounting on hinge side**  
 Left handed shown in diagram  
 Right handed is the reverse



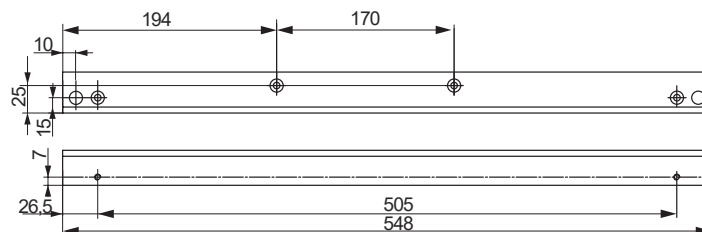
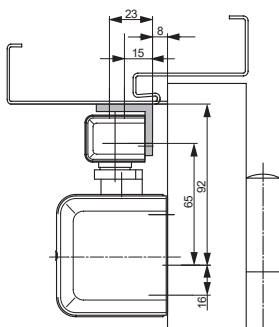
**Installation dimensions with mounting plate for standard mounting on hinge side**  
 In compliance with EN 1154, Supplement 1, or for doors where direct mounting is not possible.  
 Left handed shown in diagram  
 Right handed is the reverse



**Installation dimensions with mounting plate for standard mounting on non-hinge side**  
 For doors where direct mounting is not possible  
 Right handed door shown in diagram  
 Left handed door is the reserve



**Mounting plate A115**  
 For guide rail G460



**Angle bracket A116**  
 For guide rail G460 non-hinge side mounting.

## DC700with G460

### Accessories and order placement information

**Flushmounted door releasebutton A178**

For manual release of hold-open.



**Smokeprotection detector A177 (optical)**

Operating voltage 15-30 VDC



Designation/ Item	Order no.
Guide rail G460, silver EV1	DCG460----DEV1-
Guide rail G460, white similar to RAL9016	DCG460----D9016
Guide rail G460, brown similar to RAL8014	DCG460----D8014
Guide rail G460, black similar to RAL9005	DCG460----D9005
Guide rail G460, stainlesssteel	DCG460----D35--
Guide rail G460, customised finish	DCG460----DXXXX

Designation/ Item	Order no.
Mounting plate A115, silver EV1	DCA115----EV1-
Mounting plate A115, customised finish	DCA115----XXXX
Angle bracket A116, silver EV1	DCA116----EV1-
Angle bracket A116, customised finish	DCA116----XXXX
Smokeprotection detector A177	DCA177-----
Flushmounted door releasebutton A178	DCA178-----

# DC700with G461

## Door closerwith Cam-Motion® technology and integrated mechanicalcoordinator



### ASSAABLOYDC700 with G461

- Door closerwith Cam-Motion® technology and guide rail
- Certified in compliance with EN1154/EN1158,size 3-6
- Operatesindependently of door closers and offers best possible safety and reliability
- Suitable for fire and smoke protection double leaf doors, hinge distance 1350-2500 mm, non-hinge side installation hing distance 1400-2800 mm

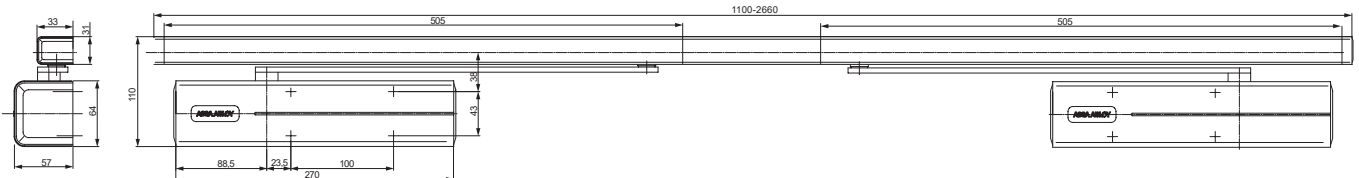
### Characteristics of DC700 with G461

- Integrated mechanicalcoordinator for double leaf doors
- Correct closing sequence guaranteed for double leaf doors, inactive leaf closes before active leaf starts to close
- Active leaf could stay open in any selected angle up to 150° when inactive leaf is opened
- Standard mounting position on hinge side and non-hinge side
- Non-hinge side mounting requires hook arm G120
- Axiscontinuously height adjustable up to 14 mm
- Largerange of applications
- Standard colours: silver EV1;white, similar to RAL9016;brown, similar to RAL8014;black, similar to RAL9005, stainless steel
- Customised finishes available on request



CE	Abloy Oy, PO Box 108 80101 Joensuu, Finland	10	0432-CPD-0049			
			EN 1158:1997+A1:2002	3	8	6
Dangerous substances: None						

CE	Abloy Oy, PO Box 108 80101 Joensuu Finland	16	DC700			
			EN1154:1996/A1:2002/AC:2006 1121-CPR-AD5238	3	8	6
Dangerous substances: None						



# DC700 with G461

## Technical attributes

### Guide rail G461

Technical attributes	
Hinge distance (hinge side)	1,350 - 2800 mm (2800 - 3200 mm)
Hinge distance (non-hinge side)	1400 - 2800 mm
Max. door opening angle of active leaf (hinge side/non-hinge side)	170° / 105°
Max. door opening angle of inactive leaf (hinge side/non-hinge side)	170° / 115°
Weight	2.6 kg
Height	31 mm
Depth	34 mm
Length	Dependson hinge distance
Suitable for fire doors	Yes
Certified in compliance with	EN1154/1158
CE marking for building products	Yes

Facts for door closer see DC700

### The advantages at a glance

Customer segment	Advantages
Project planners	- Modern design - Compact design
Builders	- Adjustable to nearly any door and frame types - Quick and easy installation - Quickly and easily adjustable - Suitable for hinge and non-hinge side installations
Trade	- Reduced inventory costs due to modular product range - One single product suitable for a large variety of mounting positions
User	- Correct closing sequence guaranteed in every situation

Our service for you: here you can see the individual advantages of our door closer models for your respective field of business.

### Specification for DC700 with G461

ASSAABLOY guiderail with mechanical coordinator for double leaf doors used with DC700 Cam-Motion® technology door closers

- Hinge distance 1,350 - 2800
- Active leaf could stay open in any selected angle up to 150° when inactive leaf is opened
- Standard mounting position on hinge side and non-hinge side
- Non-hinge side mounting requires hook arm G120
- Axis continuously height adjustable up to 14 mm
- Large range of applications

### Accessories:

- Mounting plate A115
- Angle bracket A116
- Angle bracket A117
- Hook arm G120 for non-hinge side mounting
- Carry bar A101 for hinge side installations
- Carry bar A102 for non-hinge side installations
- Mounting kit for wide double doors A113 (2800mm-3200mm), for hinge side only
- Mech. hold-open device for double doors A114 (NOT applicable with fire doors)
- Mechanical bearing A151, for double doors
- Opening damper A191

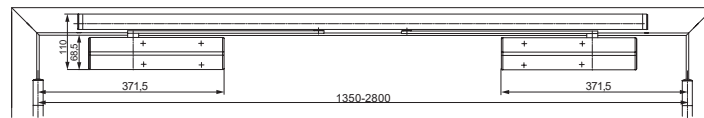
### Colour:

- Silver EV1
- White, similar to RAL9016
- Brown, similar to RAL8014
- Black, similar to RAL9005
- Stainless steel

You can find the complete specification on the internet at: [www.assaabloy.de](http://www.assaabloy.de)

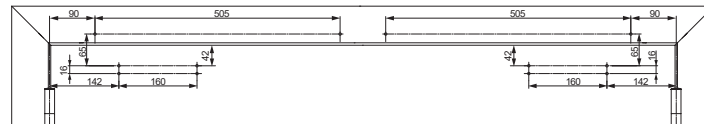
# DC700with G461

## Dimensional drawings



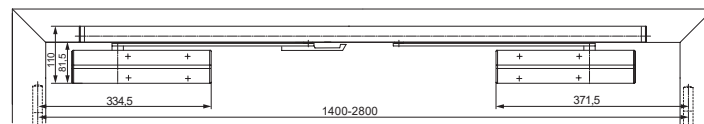
Regular mounting on hinge side

Right handed door is active leaf  
Left handed door is inactive leaf



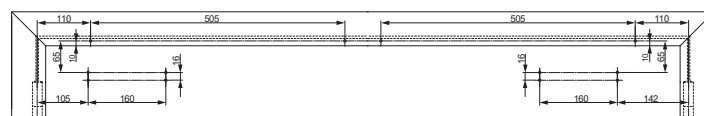
Installation dimensions with mounting plate for standard mounting on hinge side

Right handed door is active leaf  
Left handed door is inactive leaf



Regular mounting on non-hinge side

Left handed door is active leaf  
Right handed door is inactive leaf

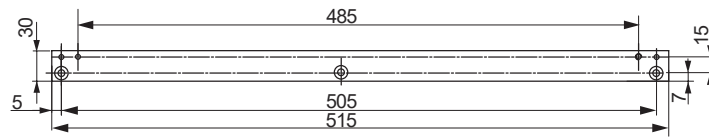
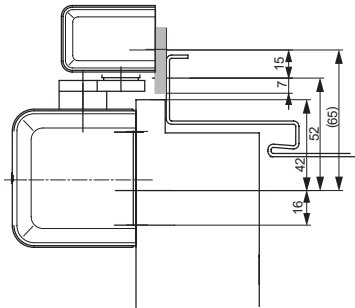


Installation dimensions with mounting plate for standard mounting non hinge side

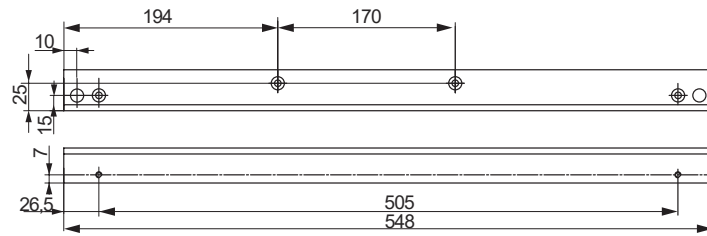
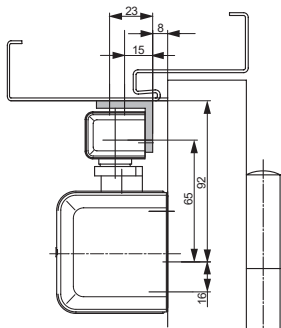
Left handed door is active leaf  
Right handed door is inactive leaf

# DC700with G461

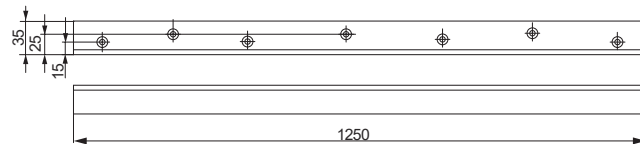
## Accessories



**Mounting plate A115**  
For guide rail G461  
1pc for active door leaf



**Angle bracket A116**  
For guide rail G461  
non-hinge side mounting  
1pc for active door leaf



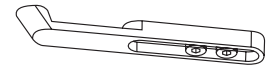
**Angle bracket A117**  
Middle bracket for guide rail G461 non-hinge side mounting

# DC700with G461

## Accessories and order placement information

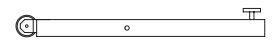
### Hook arm G120

For double leaf doors non-hinge side mounting



### Carry bar A101

Enable the correct opening sequence of double doors, installed to inactive door leaf on non-hinge side (G461/G462/G464 installed on hinge side)



### Carry bar A102

Enable the correct opening sequence of double doors, installed to inactive door leaf on non-hinge side (G461/G462/G464 installed on non-hinge side)

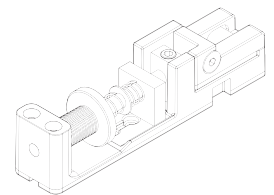


### Mechanical hold-open device A114

Mechanical hold-open device for doors which need to be secured in the open positions.

Hold-open angle adjustable from ca. 70°-120°.

Not approved for use on fire and smoke protection doors

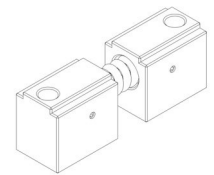


### Opening damper A191

Helps to prevent the door and door handle from hitting a return wall.

Simple fitting into guide rail and continuously adjustable.

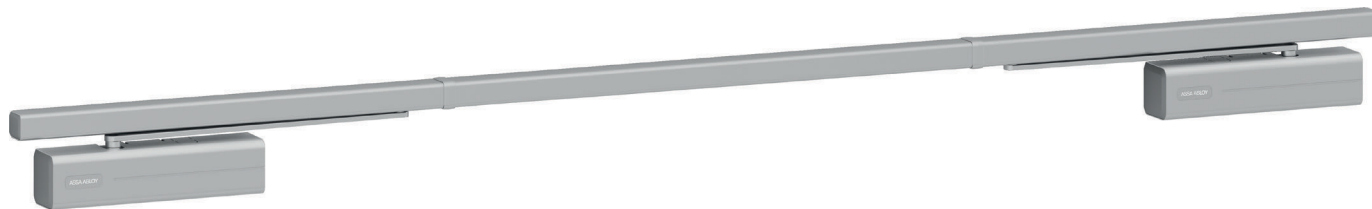
Does not replace a door stop.



Designation/ Item	Order no.	Designation/ Item	Order no.
Guide rail G461 with mechanical coordinator, silver EV1	<b>DCG461----DEV1-</b>	Mounting plate A115, silver EV1	<b>DCA115-----EV1-</b>
Guide rail G461 with mechanical coordinator, white, similar to RAL9016	<b>DCG461----D9016</b>	Mounting plate A115, customised finish	<b>DCA115-----XXXX</b>
Guide rail G461 with mechanical coordinator, brown, similar to RAL8014	<b>DCG461----D8014</b>	Angle bracket A116, silver EV1	<b>DCA116-----EV1-</b>
Guide rail G461 with mechanical coordinator, black, similar to RAL9005	<b>DCG461----D9005</b>	Angle bracket A116, customised finish	<b>DCA116-----XXXX</b>
Guide rail G461 with mechanical coordinator, stainless steel	<b>DCG461----D35--</b>	Angle bracket A117, silver EV1	<b>DCA117-----EV1-</b>
Guide rail G461 with mechanical coordinator, customised finish	<b>DCG461----DXXXX</b>	Angle bracket A117, customised finish	<b>DCA117-----XXXX</b>
Carry bar A101	<b>DCA101-----</b>	Hook arm G120, silver EV1	<b>DCG120-----EV1-</b>
Carry bar A102	<b>DCA102-----</b>	Hook arm G120, white, similar to RAL9016	<b>DCG120-----9016</b>
Mounting kit A113	<b>DCA113-----</b>	Hook arm G120, brown, similar to RAL8014	<b>DCG120-----8014</b>
Hold-open device A114	<b>DCA114-----</b>	Hook arm G120, black, similar to RAL9005	<b>DCG120-----9005</b>
		Hook arm G120, black, similar to RAL9005	<b>DCG120-----35--</b>
		Hook arm G120, customised finish	<b>DCG120-----XXXX</b>
		Mechanical bearing A151, for double doors	<b>DCA151-----</b>
		Opening damper A191	<b>DCA191-----</b>

## DC700 with G462/ G464

Door closer with Cam-Motion® technology, integrated mechanical door coordinator and electro-mechanical hold-open device(s).



### ASSAABLOYDC700 with G462 / G464

- Door closer with Cam-Motion® technology and guide rail with integrated mechanical door coordinator and two electromechanical hold-open devices for double-leaf doors
- Certified in compliance with EN1154, EN1155 and EN1158, size 3-6
- Operates independently of door closers and offers best possible functions, safety and reliability
- Suitable for fire and smoke protection double leaf doors, hinge distance 1350 - 2800 mm, non-hinge side installation hinge distance 1400 - 2800 mm

### Characteristics of DC700 with G462 / G464

- Continuously adjustable holding force
- Correct closing sequence guaranteed for double leaf doors, inactive leaf closes before active leaf starts to close
- Standard mounting position on hinge side and non-hinge side
- Non-hinge side mounting requires hook arm G120
- Axis continuously height adjustable up to 14 mm
- Large range of applications
- Standard colours: silver EV1; white, similar to RAL9016; brown, similar to RAL8014; black, similar to RAL9005, stainless steel
- Customised finishes available on request
- G462 hold-open angle adjustable between 70°-130° on hinge side and 70°-120° on non-hinge side
- G464 inactive door leaf hold-open angle adjustable between 70°-130° on hinge side and 70°-120° on non-hinge side



CE	Abloy Oy, PO Box 108 80101 Joensuu Finland	16				
			3	8	6	3
DC700	EN1154:1998/A1:2002/AC:2006 1121-CPR-AD5238	1	4	Dangerous substances: None		

CE	Abloy Oy, PO Box 108 80101 Joensuu, Finland	10				
			3	8	6	3
0432-CPD-0049	EN 1158:1997+A1:2002	1	3	Dangerous substances: None		

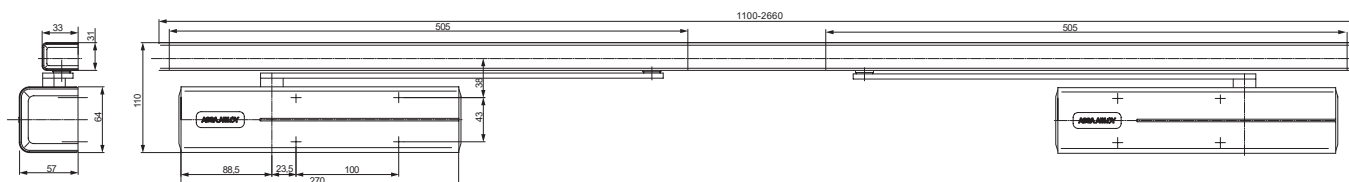
CE	Abloy Oy, PO Box 108 80101 Joensuu, Finland	10				
			3	8	6	3
0432-CPD-0050	EN 1155:1997+A1:2002	1	3	Dangerous substances: None		

### Characteristics of G462

- Integrated mechanical coordinator with two electro-mechanical hold-open devices
- Possible to keep active leaf or both door leaves open

### Characteristics of G464

- Integrated mechanical coordinator with one electro-mechanical hold-open device
- Possible to keep both door leaves open
- Active leaf can stay open in any selected angle up to 150° when inactive leaf is open





# DC700with G462/ G464

## Technical attributes

### Guide rail G462/G464

Technical attributes	
Max. door opening angle of active leaf (hinge side/non-hinge side)	170° / 105°
Hold-open angle of inactive leaf (hinge side / non-hinge side)	70° - 130° / 70° - 115°
Hinge distance (hinge side)	1350 - 2800 mm
Hinge distance (non-hinge side)	1400 - 2800 mm
Required power supply	24 V DC
Weight G462 / G464	3.1kg / 2.9 kg
Height	34 mm
Depth	33 mm
Length	Dependson hinge distance
Suitable for fire doors	Yes
Certified in compliance with	EN1154 / EN1155/ EN1158
CE marking for building products	Yes

Facts for door closer see DC700

### The advantages at a glance

Customer segment	Advantages
Project planners	- Extensive range of uses: Fire and smoke protection doors - Modern design - Compact design - Applications where both door leaves need to keep open
Builders	- Adjustable to nearly any door and frame types - Quick and easy installation - Quickly and easily adjustable - Suitable for hinge and non-hinge side installations
Trade	- Reduced inventory costs due to modular product range - One single product suitable for a large variety of mounting positions
User	- Correct closing sequence guaranteed in every situation - Adjustable operating force, to meet door construction requirements and user need

Our service for you: here you can see the individual advantages of our door closer models for your respective field of business.

You can find the complete specification on the internet at: [www.assaabloy.de](http://www.assaabloy.de)

### Specification for G462 / G464

ASSAABLOY guiderail with mechanical coordinator and electro-mechanical hold-open device for double leaf doors used with DC700 Cam-Motion® technology door closers

- Hinge distance 1250 - 2800 mm
- Hold-open angle of inactive leaf adjustable between 70° - 130°
- Continuously adjustable holding force
- Correct closing sequence guaranteed for double leaf doors, inactive leaf closes before active leaf starts to close
- Standard mounting position on hinge side and non-hinge side
- Non-hinge side mounting requires hook arm G120
- Axis continuously height adjustable up to 14 mm
- Large range of applications
- Possible to keep active leaf or both door leaves open (G462)
- Possible to keep both door leaves open (G464)

### Accessories:

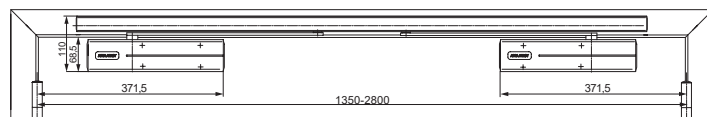
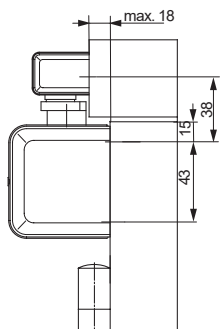
- Mounting plate A115
- Angle bracket A116
- Angle bracket A117
- Hook arm G120 for non-hinge side mounting
- Carry bar A101 for hinge side installations
- Carry bar A102 for non-hinge side installations
- Smoke detector
- Flush mounted or surface mounted release button
- Mechanical bearing A151, for double doors
- Smoke protection detector A177
- Flush mounted door release button A178
- Opening damper A191

### Colour:

- Silver EV1
- White, similar to RAL9016
- Brown, similar to RAL8014
- Black, similar to RAL9005
- Stainless steel
- Customised finish

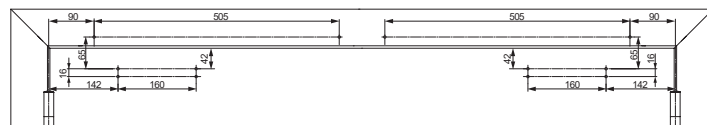
# DC700with G462/ G464

## Dimensional drawings and accessories



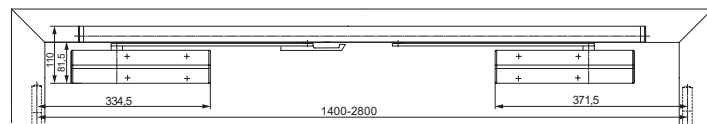
### Regular mounting on hinge side

Left handed shown in diagram  
Right handed is the reverse



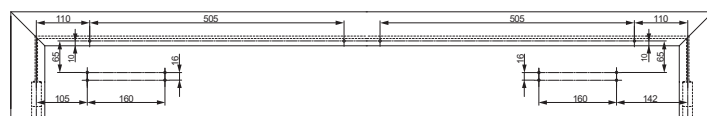
### Installation dimensions with mounting plate for standard mounting on hinge side

Right handed door is active leaf  
Left handed door is inactive leaf



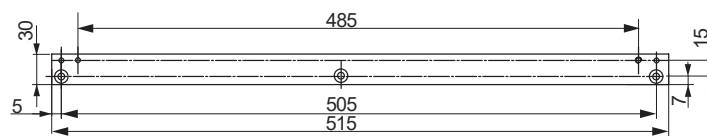
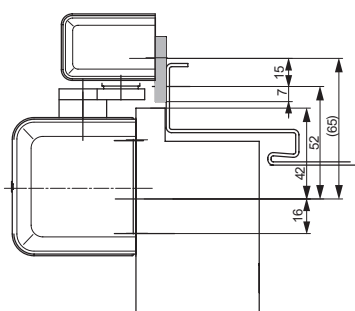
### Regular mounting on non-hinge side

Right handed door is active leaf  
Left handed door is inactive leaf



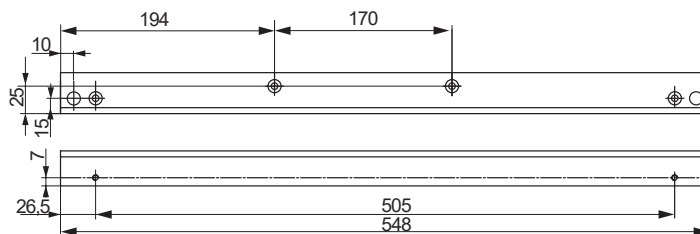
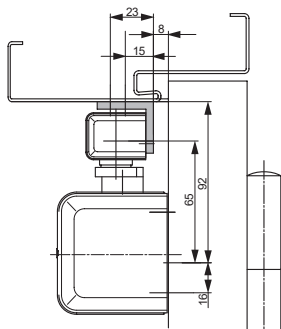
### Installation dimensions with mounting plate for standard mounting non hinge side

Right handed door is active leaf  
Left handed door is inactive leaf



### Mounting plate A115

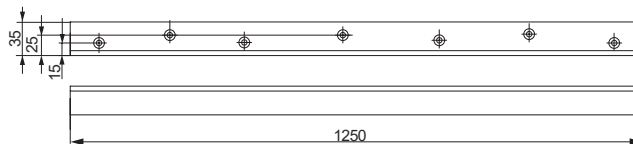
For guide rail G464 and G462  
1pc for active door leaf



### Angle bracket A116

For guide rails G464 and G462

1pc for active door leaf  
1pc for passive door leaf

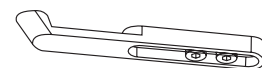


### Angle bracket A117

For guide rails G464 and G462

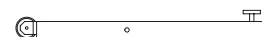
### Hook arm G120

For double leaf doors non-hinge side mounting



### Carry bar A101

Enables the correct opening sequence of double doors, installed to inactive door leaf on non-hinge side  
(G461/G462/G464 installed on hinge side)



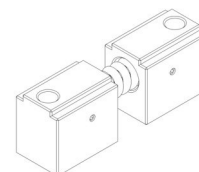
### Carry bar A102

Enables the correct opening sequence of double doors, installed to inactive door leaf on non-hinge side  
(G461/G462/G464 installed on non-hinge side)



### Opening damper A191

Helps to prevent the door and door handle from hitting a return wall.  
Simple fitting into guide rail and continuously adjustable.  
Does not replace a door stop.  
Can be used only with G464 on active leaf.



# DC700with G462/ G464

## Accessories and order placement information

### Smokeprotection detector A177 (optical)

Operating voltage 15-30 VDC



### Flushmounted door releasebutton A178

For manual release of hold-open.



Designation / Item	Order no.
Guiderail G462 with mechanical coordinator and two electro-mechanical hold-open devices, silver EV1	<b>DCG462----DEV1-</b>
Guiderail G462 with mechanical coordinator and two electro-mechanical hold-open devices, white, similar to RAL9016	<b>DCG462----D9016</b>
Guiderail G462 with mechanical coordinator and two electro-mechanical hold-open devices, brown, similar to RAL8014	<b>DCG462----D8014</b>
Guiderail G462 with mechanical coordinator and two electro-mechanical hold-open devices, black, similar to RAL9005	<b>DCG462----D9005</b>
Guiderail G462 with mechanical coordinator and two electro-mechanical hold-open devices, stainless steel	<b>DCG462----D35--</b>
Guiderail G462 with mechanical coordinator and two electro-mechanical hold-open devices, customised finish	<b>DCG462----DXXXX</b>
Guiderail G464 with mechanical coordinator and electro-mechanical hold-open device, silver EV1	<b>DCG464----DEV1-</b>
Guiderail G464 with mechanical coordinator and electro-mechanical hold-open device, white, similar to RAL9016	<b>DCG464----D9016</b>
Guiderail G464 with mechanical coordinator and electro-mechanical hold-open device, brown, similar to RAL8014	<b>DCG464----D8014</b>
Guiderail G464 with mechanical coordinator and electro-mechanical hold-open device, black, similar to RAL9005	<b>DCG464----D9005</b>

Designation / Item	Order no.
Guiderail G464 with mechanical coordinator and electro-mechanical hold-open device, stainless steel	<b>DCG464----D35--</b>
Guiderail G464 with mechanical coordinator and electro-mechanical hold-open device, customised finish	<b>DCG464----DXXXX</b>
Carry bar A101	<b>DCA101-----</b>
Carry bar A102	<b>DCA102-----</b>
Mounting plate A115, silver EV1	<b>DCA115----EV1-</b>
Mounting plate A115, customised finish	<b>DCA115----XXXX</b>
Angle bracket A116, silver EV1	<b>DCA116----EV1-</b>
Angle bracket A116, customised finish	<b>DCA116----XXXX</b>
Angle bracket A117, silver EV1	<b>DCA117----EV1-</b>
Angle bracket A117, customised finish	<b>DCA117----XXXX</b>
Hook arm G120, silver EV1	<b>DCG120----EV1-</b>
Hook arm G120, white, similar to RAL9016	<b>DCG120----9016</b>
Hook arm G120, brown, similar to RAL8014	<b>DCG120----8014</b>
Hook arm G120, black, similar to RAL9005	<b>DCG120----9005</b>
Hook arm G120, black, similar to RAL9005	<b>DCG120----35--</b>
Hook arm G120, customised finish	<b>DCG120----XXXX</b>
Mechanical bearing A151, for double doors	<b>DCA151-----</b>
Smokeprotection detector A177	<b>DCA177-----</b>
Flushmounted door releasebutton A178	<b>DCA178-----</b>
Opening damper A191	<b>DCA191-----</b>

# DC500

## Door closer with Cam-Motion® technology and guide rail



### ASSAABLOY DC500

- Door closer with Cam-Motion® technology and height-adjustable guide rail G195 or standard guide rail G193
- Fulfills barrier-free building requirements (EA/ CEN TR15894)
- Certified in compliance with EN1154, size 1-4
- For single action doors up to 1100 mm wide
- Can be used in four installation types: hinge and non-hinge sides in standard and frame installation
- Suitable for fire and smoke protection doors

### Characteristics of DC500

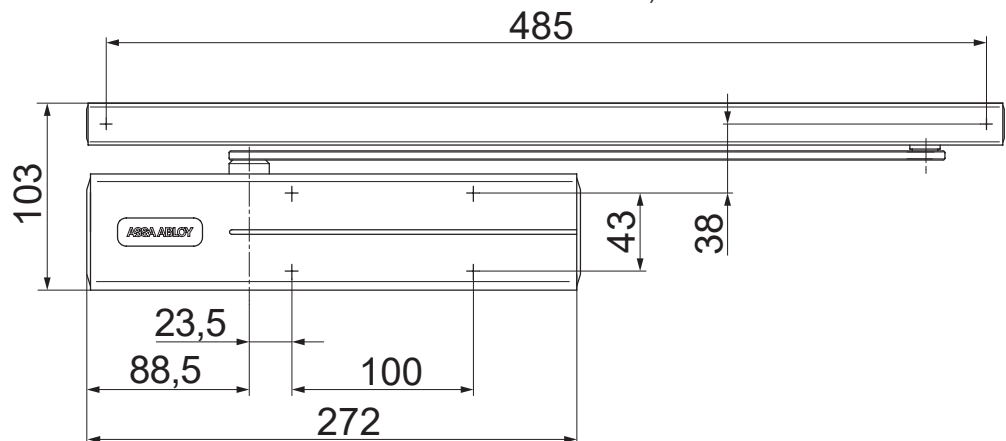
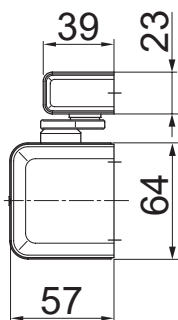
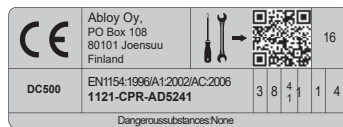
- Can be used with integrated concealed mounting plate, suitable for fire and smoke protection doors
- Can be used for left and right-handed doors
- 14 mm height adjustable arm system for ease of fitting
- Closing speed, latching speed and backcheck adjustable via front facing regulating valves
- Thermodynamic valves for consistent performance
- Variable adjustable closing force
- Opening angle up to 160°
- Effective backcheck and latching speed range adjustable
- Larger range of applications
- Standard colours: silver EV1; white, similar to RAL9016; brown, similar to RAL8014; black, similar to RAL9005, stainless steel
- Customised finishes available on request

### Characteristics of guide rail G195

- Height-adjustable by 2 mm for tolerance
- Concealed fastening screws
- Installation dimensions: seediagram

### Characteristics of standard guide rail G193

- Without protective cover
- Visible fastening screws
- Installation dimensions: seediagram (dimensions in brackets)



# DC500

## Technical attributes

Technical attributes	
Closing force	EN14
Door width up to	1100 mm
Suitable for fire doors	Yes
Handing	Left / right handed
Mounting method	Standard and frame installation
Closing speed	Variable between 170°-10°
Latching speed	Variable between 10°-0°
Backcheck	Variable above 75°
Max. door opening angle hinge side	ca. 170°
Max. door opening angle non-hinge side	Ca. 120°
Weight	2.7 kg
Height	64 mm
Depth	58 mm
Length	272 mm
Certified in compliance with	EN1154
CE marking for building products	Yes

### The advantages at a glance

Customer segment	Advantages
Project planners	<ul style="list-style-type: none"> <li>- Extensive range of uses: Fire and smoke protection doors as well as standard doors</li> <li>- Modern design</li> <li>- Compact design</li> <li>- Fulfills barrier-free building requirements (EA / CENTR15894)</li> <li>- Same dimensions and design with and without mounting plate</li> </ul>
Builders	<ul style="list-style-type: none"> <li>- One drilling template overall</li> <li>- Adjustable to nearly all door and frame types</li> <li>- Quick and easy installation</li> <li>- Quickly and easily adjustable</li> <li>- Suitable for left and right handed doors for standard and frame mounting on hinge and non-hinge side</li> </ul>
Trade	<ul style="list-style-type: none"> <li>- Reduced inventory costs due to modular product range</li> <li>- One single product suitable for large variety of mounting positions</li> <li>- Complementary accessories available for the whole product range</li> </ul>
User	<ul style="list-style-type: none"> <li>- Largely unaffected by temperature fluctuations thanks to thermodynamic valves</li> <li>- Easier door opening and improved accessibility due to rapidly decreasing torque</li> </ul>

Our service for you: here you can see the individual advantages of our door closer models for your respective field of business.

### Specifications for DC500

ASSAABLOY Door Closer DC500 with Cam-Motion® technology and guide rail in compliance with EN1154

- Closing power continuously adjustable, EN size 1-4, for doors up to 1100 mm wide
- Closing speed, latching speed and backcheck continuously adjustable
- Can be used with integrated concealed mounting plate, suitable for fire and smoke protection doors
- CE approved
- 14 mm height adjustable arm system for ease of fitting
- Standard and frame mounting on hinge and non-hinge side of the door
- Suitable for left and right handed doors

### Accessories:

- Standard guide rail G193
- Height-adjustable guide rail G195
- Mounting plate A120
- Mounting plate A130 for guide rail G193 and G195
- Angle bracket A104 for guide rail G193
- Mechanical opening damper A153
- Mechanical hold-open device A152 (not for fire and smoke protection doors)
- Glass door shoe A166
- Screening plate A190

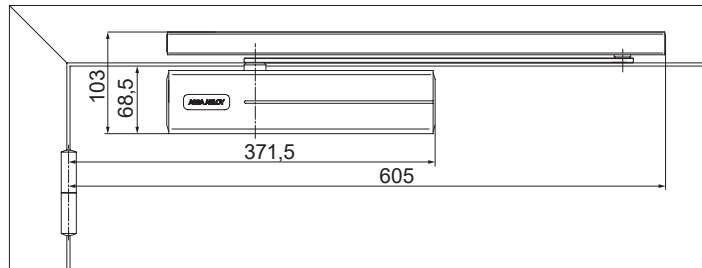
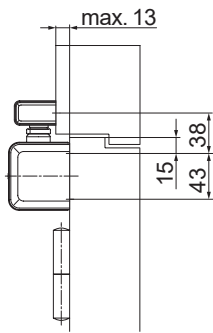
### Colour:

- Silver EV1
- White, similar to RAL9016
- Brown, similar to RAL8014
- Black, similar to RAL9005
- Stainless steel
- Stainless steel
- Customised finish

You can find the complete specification on the internet at: [www.assaabloy.de](http://www.assaabloy.de)

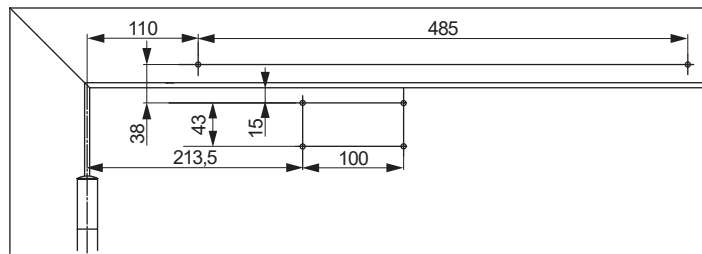
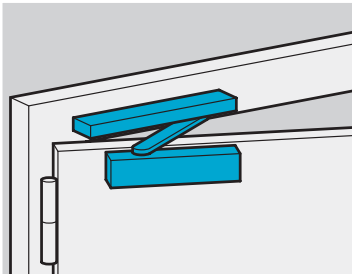
# DC500

## Dimensional drawings



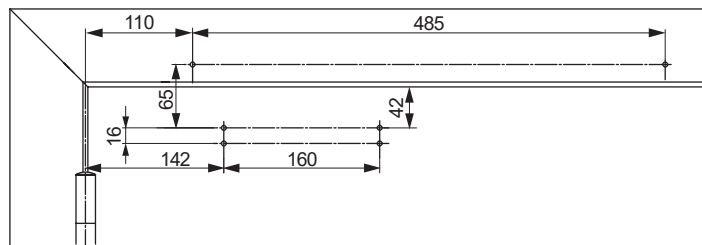
Space required on doors for standard installation on hinge side

Left handed shown in diagram  
Right handed is the reverse



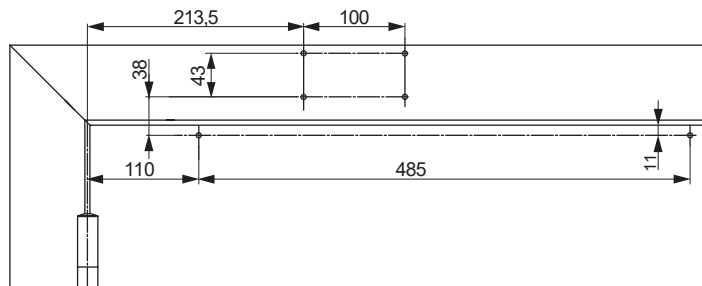
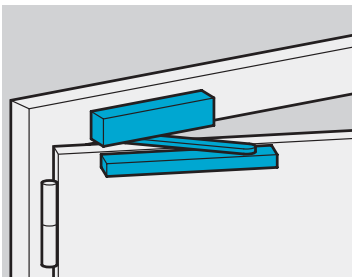
Installation dimensions for direct standard mounting on hinge side

Left handed shown in diagram  
Right handed is the reverse



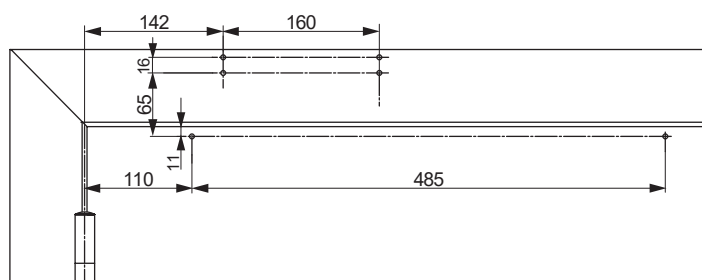
Installation dimensions with mounting plate for standard mounting on hinge side

In compliance with EN 1154, Supplement 1, or for doors where direct mounting is not possible.  
Left handed shown in diagram  
Right handed is the reverse



Installation dimensions for direct frame mounting on hinge side

Closer on hinge side of door frame.  
Left handed shown in diagram  
Right handed is the reverse

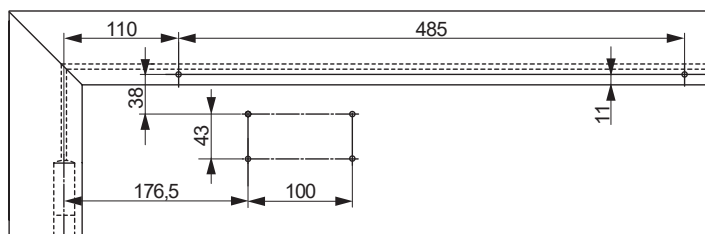
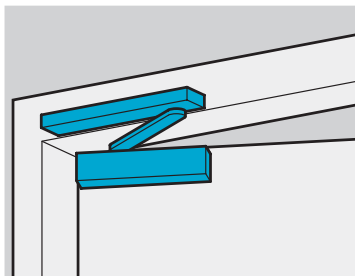


Installation dimensions with mounting plate for frame mounting on hinge side

Closer on hinge side of door frame. For doors where direct mounting is not possible.  
Left handed shown in diagram  
Right handed is the reverse

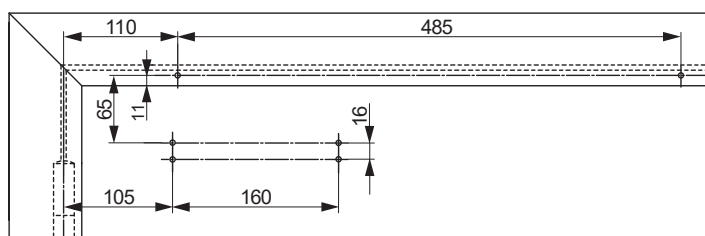
# DC500

## Dimensional drawings



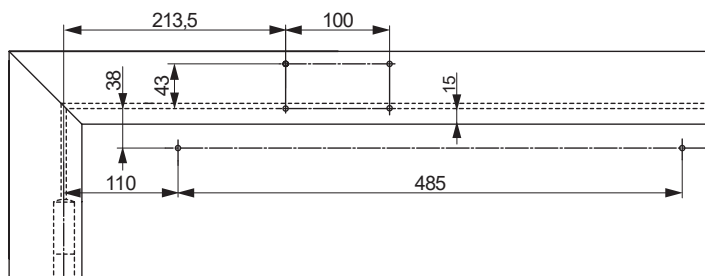
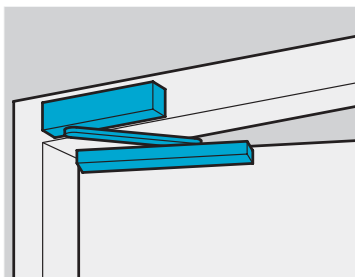
Installation dimensions for direct standard mounting non hinge side

Right handed door shown in diagram  
Left handed door is the reverse



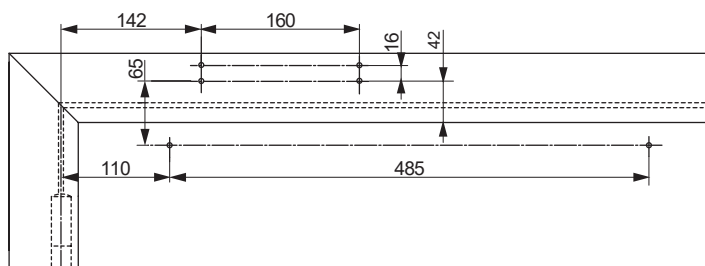
Installation dimensions with mounting plate for standard mounting non hinge side

For doors where direct mounting is not possible  
Right handed door shown in diagram  
Left handed door is the reverse



Installation dimensions when mounted directly onto the frame non-hinge side

Closer on non-hinge side of door frame  
Right handed door shown in diagram  
Left handed door is the reverse



Installation dimensions with mounting plate for frame mounting non-hinge side

Closer on non-hinge side of door frame. For doors where direct mounting is not possible.  
Right handed door shown in diagram  
Left handed door is the reverse





# DC500

## Accessories and order placement information

### Stainless steel full cover

For DC500 and DC700



### Stainless steel design cover

For DC500 and DC700



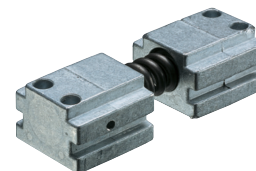
### Opening damper A153

Helps to prevent the door and door handle from hitting a return wall.

Simple fitting into guide rail.

Opening damper continuously adjustable up to an opening angle of max. 130°.

Does not replace a door stop.



### Hold-open device A152

Mechanical hold-open device for doors which sometimes need to be secured in the open position.

Simple fitting into guide rail G193 and G195.

Hold-open angle max. 130°

Not approved for use on fire and smoke protection doors

Continuously adjustable holding force



### Screening plate A190

Screening plate A190

Use on doors with narrow profiles and glassfilling as cover of the back of the door.



Designation / Item	Order no.
DC500, ENsize 1-4, silver EV1	<b>DC500-----DEV1-</b>
DC500, ENsize 1-4, white, similar to RAL9016	<b>DC500-----D9016</b>
DC500, ENsize 1-4, brown, similar to RAL8014	<b>DC500-----D8014</b>
DC500, ENsize 1-4, black, similar to RAL9005	<b>DC500-----D9005</b>
DC500, ENsize 1-4, stainless steel, ASSAABLOY design	<b>DC500-----D35--</b>
DC500, ENsize 1-4, customised finish	<b>DC500-----DXXXX</b>
Guide rail G193, silver EV1	<b>DCG193-----EV1-</b>
Guide rail G193, white, similar to RAL9016	<b>DCG193-----9016</b>
Guide rail G193, brown, similar to RAL8014	<b>DCG193-----8014</b>
Guide rail G193, black, similar to RAL9005	<b>DCG193-----9005</b>
Guide rail G195, silver EV1	<b>DCG195----DEV1-</b>
Guide rail G195, white, similar to RAL9016	<b>DCG195----D9016</b>
Guide rail G195, brown, similar to RAL8014	<b>DCG195----D8014</b>
Guide rail G195, black, similar to RAL9005	<b>DCG195----D9005</b>
Guide rail G195, stainless steel	<b>DCG195----D35--</b>
Guide rail G195, bespoke finish	<b>DCG195----DXXXX</b>

Designation / Item	Order no.
Mounting plate A120, galvanised	<b>DCA120-----40</b>
Mounting plate A130, silver EV1	<b>DCA130-----EV1-</b>
Mounting plate A130, white, similar to RAL9016	<b>DCA130-----9016</b>
Mounting plate A130, brown, similar to RAL8014	<b>DCA130-----8014</b>
Mounting plate A130, black, similar to RAL9005	<b>DCA130-----9005</b>
Mounting plate A130, customised finish	<b>DCA130-----XXXX</b>
Mounting plate A136, non-hinge side, for Guide Rail G193 and G195, 40 mm, silver EV1	<b>DCA136-----EV1-</b>
Glassdoor shoe A166, silver EV1	<b>DCA166-----EV1-</b>
Angle bracket A104, silver EV1	<b>DCA104-----EV1-</b>
Angle bracket A104, RAL9016 white	<b>DCA104-----9016</b>
Angle bracket A104, brown, similar to RAL8014	<b>DCA104-----8014</b>
Angle bracket A104, black, similar to RAL9005	<b>DCA104-----9005</b>
Hold-open device A152	<b>DCA152-----</b>
Opening damper A153	<b>DCA153-----</b>
Replacement plate A124, galvanised	<b>DCA124-----40</b>
Screening plate A190, stainless steel	<b>DCA190-----35--</b>

# DC860

## Concealed door closer with Cam-Motion® technology and guide rail



### ASSAABLOY DC860

- Concealed door closer with Cam-Motion® technology and small standard concealed guide rail G892 or standard concealed guide rail G893
- Fulfills barrier-free building requirements (EA/ CEN TR15894)
- Certified in compliance with EN1154, size 1-5
- Suitable for fire and smoke protection doors
- For single action doors up to 1250 mm wide

### Characteristics of DC860

- Can be used for left and right-handed doors
- Closing speed and latching speed adjustable from top facing regulating valves
- Built-in backcheck
- Thermodynamic valves for consistent performance
- Opening angle up to 120°
- Larger range of applications
- Versions with 4 mm and 8 mm spindle extensions
- Standard colours: silver EV1
- Can be used for left and right-handed doors

### Characteristics of standard guide rail G892

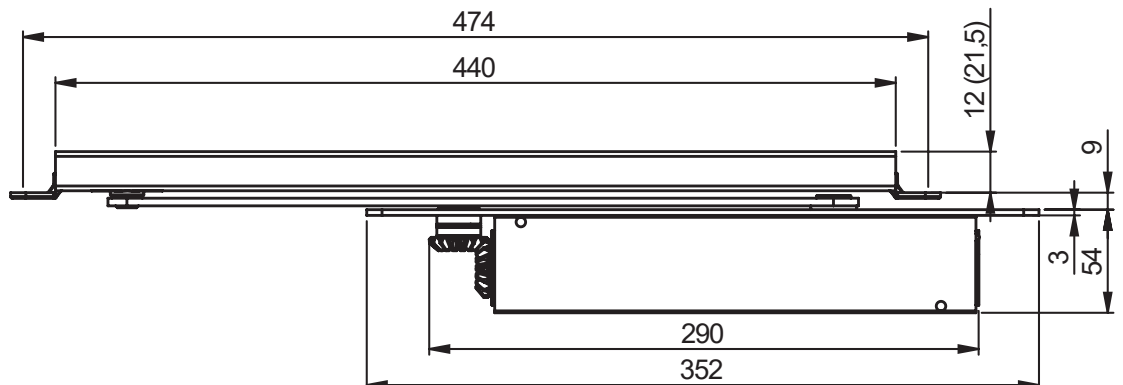
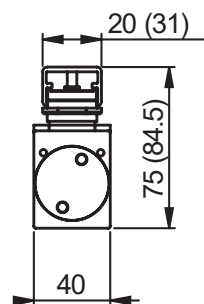
- Small size guide rail, can be used with hold-open device and opening damper
- For standard applications
- Installation dimensions: seediagram

### Characteristics of guide rail G893

- Guide rail suitable for equipping with hold-open device and opening damper
- Installation dimensions: seediagram (dimensions in brackets)



CE	Abloy Oy, PO Box 108 80101 Joensuu Finland		11			
				DC860	EN1154:1996+A1:2002 0432-CPD-0047	3
Dangerous substances: None						



Technical attributes	
Door width up to	1250 mm
Closing force	EN1-5
Suitable for fire doors	Yes
Handing	Left / right handed
Max. door opening angle	Ca. 120°
Closing speed	Variable between 120° - 7°
Latching speed	Variable 7° - 0°
Weight	2.3 kg
Height	54 mm
Depth	40 mm
Length	290 mm
Certified in compliance with	EN1154
CE marking for building products	Yes

#### The advantages at a glance

Customer segment	Advantages
Project planners	- Extensive range of uses: Fire and smoke protection doors as well as standard doors - Fulfills barrier-free building requirements (EA / CENTR15894) - Comprehensive functions, standard or optional
Builders	- Quick and easy installation - Quickly and easily adjustable - Suitable for left and right handed doors
Trade	- Reduced inventory costs due to modular product range - One single product suitable for a large variety of mounting positions - Complementary accessories available for the whole product range
User	- Easier door opening and improved accessibility due to rapidly decreasing torque - Largely unaffected by temperature fluctuations thanks to thermodynamic valves

Our service for you: here you can see the individual advantages of our door closer models for your respective field of business.

#### Specifications for DC860

ASSAABLOY Concealed Door Closer DC860 with Cam-Motion® Technology and concealed guide rail in compliance with EN1154

- Closing force continuously adjustable, EN size 1-5, for doors up to 1250 mm wide
- Closing speed, latching speed and closing force continuously adjustable when installed
- CE approved
- Suitable for left and right handed doors
- Additional verification of suitability required for the respective fire or smoke protection door

#### Accessories:

- Small concealed guide rail G892
- Standard concealed guide rail G893
- Mechanical hold-open device A152 for G893
- Mechanical opening damper A153 for G893
- Mechanical opening damper A157 for G892
- Mechanical hold-open device A156 for G892 (not for fire and smoke protection doors)
- Fixing plate A162
- Fire protection A193

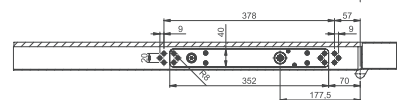
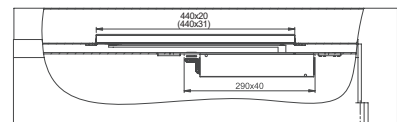
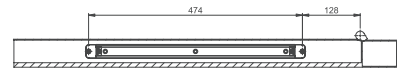
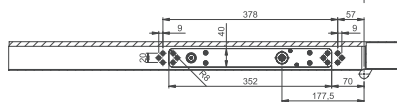
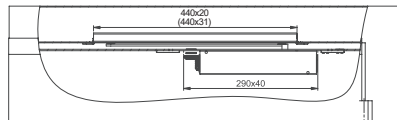
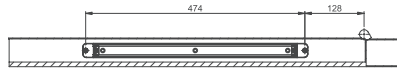
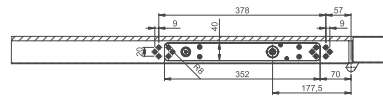
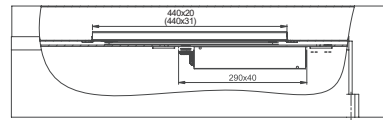
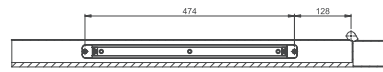
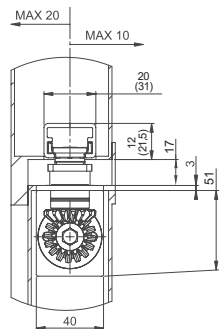
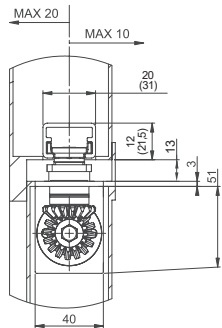
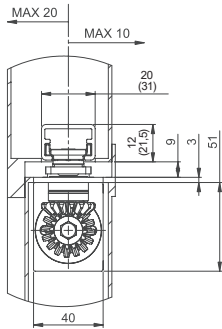
#### Colour:

- Silver EV1
- Customised finish

You can find the complete specification on the internet at: [www.assaabloy.de](http://www.assaabloy.de)

# DC860

## Dimensional drawings



### Installation dimensions

Right handed door shown in diagram  
Left handed door is the reverse

### Installation dimensions with 4 mm axis extension

Right handed door shown in diagram  
Left handed door is the reverse

### Installation dimensions with 8 mm axis extension

Right handed door shown in diagram  
Left handed door is the reverse

# DC860

## Accessories and order placement information

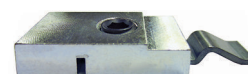
### Hold-open device A152

Mechanical hold-open device for doors which sometimes need to be secured in the open position.  
 Simple fitting into guide rail G193 and G195.  
 Hold-open angle max. 130°  
 Not approved for use on fire and smoke protection doors  
 Continuously adjustable holding force



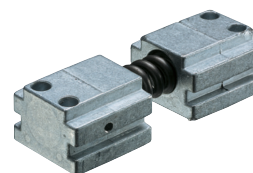
### Hold-open device A156

Mechanical hold-open device for doors which sometimes need to be secured in the open position.  
 Simple fitting to guide rail G892.  
 Not approved for use on fire and smoke protection doors



### Opening damper A153

Helps to prevent the door and door handle from hitting a return wall.  
 Simple fitting into guide rail.  
 Opening damper continuously adjustable up to an opening angle of max. 130°.  
 Does not replace a door stop.



### Opening damper A157

Helps to prevent the door and door handle from hitting a return wall.  
 Simple fitting into guide rail G892, does not replace a door stop.



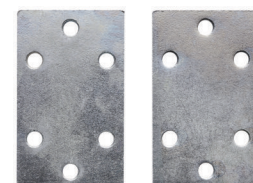
### Fireprotection A193

The Fireprotection is used depending on the door type to improve fire resistance. It is stuck on the electric strike from above. The adjustment options remain the same.



### Fixing plate A162

Mounting plate set for metal doors.

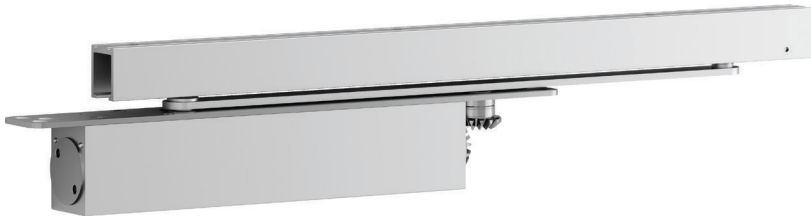


Designation/ Item	Order no.
DC860 ENsize 1–5, silver EV1	<b>DC860-----EV1-</b>
DC860 ENsize 1–5, spindle extension 4 mm, silver EV1	<b>DC8604-----EV1-</b>
DC860 ENsize 1–5, spindle extension 8 mm, silver EV1	<b>DC8608-----EV1-</b>
Concealed Standard Guide Rail G892, small, silver EV1	<b>DCG892-----EV1-</b>
Concealed Standard Guide Rail G892, small, customised finish	<b>DCG892-----XXXX</b>
Concealed standard guide rail G893, silver EV1	<b>DCG893-----EV1-</b>
Concealed standard guide rail G893, customised finish	<b>DCG893-----XXXX</b>

Designation/ Item	Order no.
Hold-open device A152	<b>DCA152-----</b>
Opening damper A153	<b>DCA153-----</b>
Hold-open device A156	<b>DCA156-----</b>
Opening damper A157	<b>DCA157-----</b>
Mounting Plate A162, galvanised	<b>DCA162-----40</b>
Fireprotection A193	<b>DCA193-----</b>

## DC860 with G880

# Concealed door closer with Cam-Motion® technology and guide rail with electro-mechanical hold-open device



### ASSAABLOY DC860 with G880

- Concealed door closer with Cam-Motion® technology and guide rail with electro-mechanical hold-open device for single leaf doors
- Guide rail is certified in compliance with EN1155, size 3-6
- Closer is certified in compliance with EN1154, size 1-5
- Fulfills barrier-free building requirements (EA/ CEN TR15894)
- Suitable for fire and smoke protection doors
- For single action doors up to 1250 mm wide
- DIBt approval with different smoke detection systems

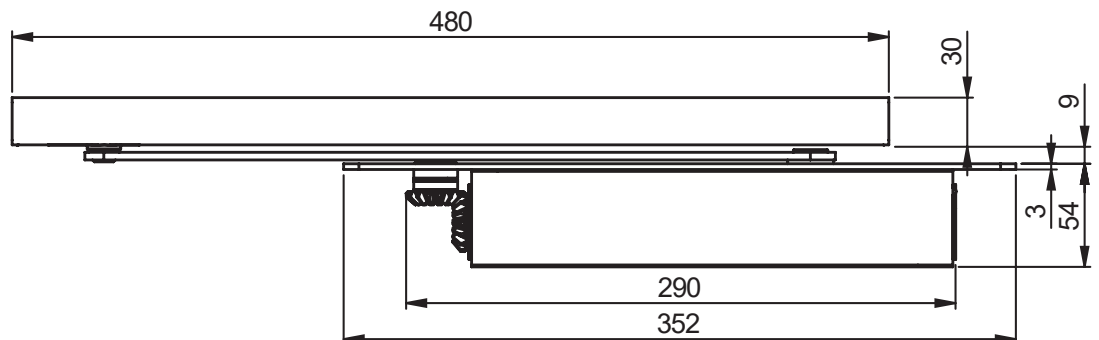
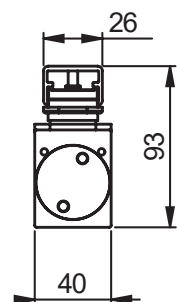
### Characteristics of DC860 with G880

- Concealed electro-mechanical hold-open device
- Continuously adjustable holding force
- Can be used for left and right-handed doors
- Closing speed and latching speed adjustable from top facing regulating valves
- Hold-open angle continuously adjustable between 80° - 120°
- Built-in backcheck
- Thermodynamic valves for consistent performance
- Larger range of applications
- Versions with 4 mm and 8 mm spindle extensions
- Standard colours: silver EV1
- Customised finishes available on request



CE	Abloy Oy, PO Box 108 80101 Joensuu Finland	Wrench and screwdriver icon	QR code	11			
					DC860	EN1154:1996+A1:2002 0432-CPD-0047	3
Dangerous substances: None							

CE	Abloy Oy, PO Box 108 80101 Joensuu, Finland	09						
			0432-CPD-0050	EN 1155:1997+A1:2002	3	8	6	3
Dangerous substances: None								



# DC860 with G880

## Technical attributes

### Concealed guide rail G880

Technical attributes	
Required power supply	24 V DC
Rated current consumption	60 mA
Continuous duty	100 % ED
Hold-open angle (continuously adjustable)	80° - 120°
Weight	0.9 kg
Height	30 mm
Depth	26 mm
Length	493 mm
Suitable for fire doors	Yes*
Certified in compliance with	EN1154 / EN1155
CE marking for building products	Yes

Facts for door closer see DC860

\*Additional verification of suitability required for the respective fire smoke protection door

### The advantages at a glance

Customer segment	Advantages
Project planners	<ul style="list-style-type: none"> <li>- Extensive range of uses: Fire and smoke protection doors as well as standard doors</li> <li>- Fulfills barrier-free building requirements (EA / CENTR 15894)</li> <li>- Comprehensive functions, standard or optional</li> </ul>
Builders	<ul style="list-style-type: none"> <li>- Quick and easy installation</li> <li>- Quickly and easily adjustable</li> <li>- Suitable for left and right handed doors</li> </ul>
Trade	<ul style="list-style-type: none"> <li>- Reduced inventory costs due to modular product range</li> <li>- One single product suitable for a large variety of mounting positions</li> <li>- Complementary accessories available for the whole product range</li> </ul>
User	<ul style="list-style-type: none"> <li>- Easier door opening and improved accessibility due to rapidly decreasing torque</li> <li>- Largely unaffected by temperature fluctuations thanks to thermodynamic valves</li> </ul>

Our service for you: here you can see the individual advantages of our door closer models for your respective field of business.

### Specifications for DC860 with G880

ASSAABLOY concealed guide rail with electro-mechanical hold-open device used with DC860 concealed Cam-Motion® door closer

- Closing force continuously adjustable, EN size 1-5, for doors up to 1250 mm wide
- Closing speed, latching speed and closing force continuously adjustable when installed
- CE approved
- Can be used for left and right-handed doors
- Hold-open angle continuously adjustable between about 80° and 120°
- Adjustable holding force
- Additional verification of suitability required for the respective fire or smoke protection door

### Accessories:

- Smoke detector station RZ100
- Ceiling smoke detector ORS142 / TDS 247
- Arrester System Control Unit Model 92020-10
- Optical smoke detector 60060
- Flush-mounted or surface-mounted release button
- Fire protection A193

### Colour:

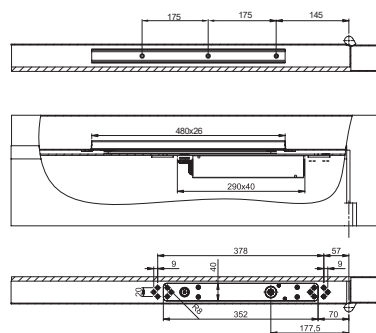
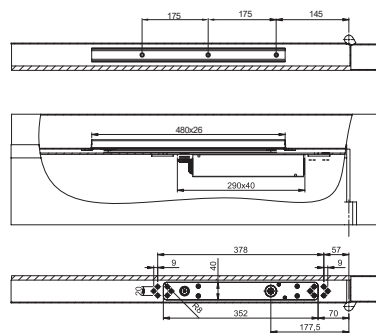
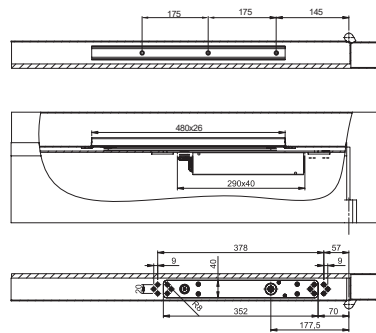
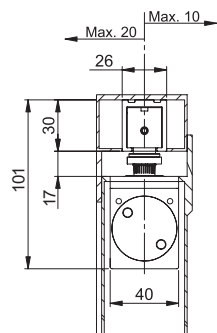
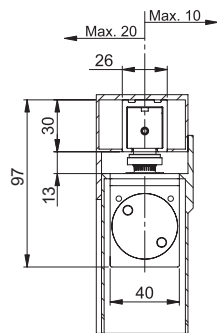
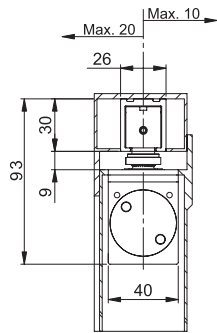
- Silver EV1
- Customised finish

You can find the complete specification on the internet at: [www.assaabloy.de](http://www.assaabloy.de)



# DC860 with G880

## Dimensional drawings



### Installation dimensions

Right handed door  
shown in diagram  
Left handed door is the  
reverse

### Installation dimensions with 4 mm axisextension

Right handed door  
shown in diagram  
Left handed door is the  
reverse

### Installation dimensions with 8 mm axisextension

Right handed door  
shown in diagram  
Left handed door is the  
reverse

# DC860 with G880

## Accessories and order placement information

### Flushmounted door releasebutton A178

For manual release of hold-open.



### Smokeprotection detector A177 (optical)

Operating voltage 15-30 VDC



### Fixing plate A162

Mounting plate set for metal doors.



### Fireprotection A193

The fire protection is used depending on the door type to improve fire resistance. It is stuck on the electric strike from above. The adjustment options remain the same.



Designation/ Item	Order no.
Concealed guide rail G880 with electromechanical hold-open device, silver EV1	DCG880-----EV1-
Concealed guide rail G880 with electromechanical hold-open device, customised finish	DCG880-----XXXX

Designation/ Item	Order no.
Smokeprotection detector A177	DCA177-----
Flushmounted door releasebutton A178	DCA178-----
Fixing plate A162, galvanised	DCA162-----40
Fireprotection A193	DCA193-----

## DC860 with G881

Concealed door closer with Cam-Motion® technology and guide rail with integrated mechanical coordinator



### ASSAABLOY DC860 with G881

- Concealed door closer with Cam-Motion® technology and guide rail with integrated mechanical coordinator for double leaf doors
- Guide rail is certified in compliance with EN1158, size 3-6
- Closer is certified in compliance with EN1154, size 1-5
- Fulfills barrier-free building requirements (EA/ CEN TR15894)
- For double leaf fire doors, hing distance 1,350 - 2500 mm

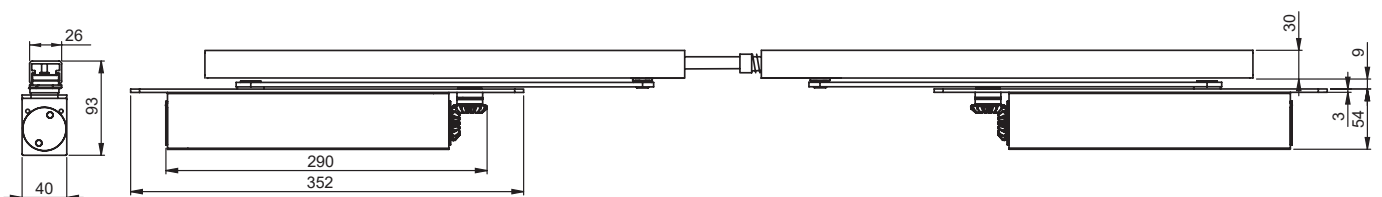
### Characteristic DC860 with G881

- Concealed guide rail with integrated mechanical door coordinator based on wedge system
- Closing speed and latching speed adjustable from top facing regulating valves
- Built-in backcheck
- Thermodynamic valves for consistent performance
- Versions with 4 mm and 8 mm spindle extensions
- Larger range of applications
- Standard colours: silver EV1
- Customised finishes available on request



CE	Abloy Oy, PO Box 108 80101 Joensuu Finland	3 8 5 1 1 2	11
Dangerous substances: None			

CE	Abloy Oy, PO Box 108 80101 Joensuu, Finland	3 8 3 1 1 0	09
Dangerous substances: None			



# DC860 with G881

## Technical attributes

### Concealed guide rail G881

Technical attributes	
Opening angle	Up to 120°
Weight	2.0 kg
Height	30 mm
Depth	26 mm
Length	Depending on overall door width
Suitable for fire doors	Yes*
Certified in compliance with	EN1158
CE marking for building products	Yes

Facts for door closer see DC860

\*Additional verification of suitability required for the respective fire smoke protection door

### The advantages at a glance

Customer segment	Advantages
Project planners	<ul style="list-style-type: none"> <li>- Extensive range of uses: Fire and smoke protection doors as well as standard doors</li> <li>- Fulfills barrier-free building requirements (EA / CENTR15894)</li> <li>- Comprehensive functions, standard or optional</li> </ul>
Builders	<ul style="list-style-type: none"> <li>- Quick and easy installation</li> <li>- Quickly and easily adjustable</li> <li>- Suitable for left and right handed doors</li> </ul>
Trade	<ul style="list-style-type: none"> <li>- Reduced inventory costs due to modular product range</li> <li>- One single product suitable for a large variety of mounting positions</li> <li>- Complementary accessories available for the whole product range</li> </ul>
User	<ul style="list-style-type: none"> <li>- Easier door opening and improved accessibility due to rapidly decreasing torque</li> <li>- Largely unaffected by temperature fluctuations thanks to thermodynamic valves</li> </ul>

Our service for you: here you can see the individual advantages of our door closer models for your respective field of business.

### Specifications for DC860 with G881

ASSAABLOY concealed guide rail with mechanical coordinator for double leaf doors used with DC860 concealed Cam-Motion® door closers

- For doors with a hinge distance between 1,350 mm and 2500 mm
- Closing speed, latching speed and closing force continuously adjustable when installed
- CE approved
- Additional verification of suitability required for the respective fire or smoke protection door

### Accessories:

- Carry bar A101 for hinge side installations
- Carry bar A102 for non-hinge side installations
- Mechanical hold-open device A114 (not for fire and smoke protection doors)
- Smoke protection detector A177
- Opening damper A191
- Fixing plate A162
- Fire protection A193

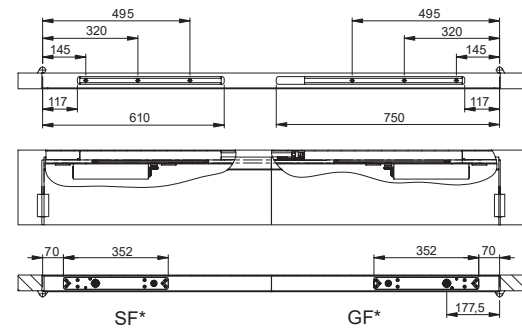
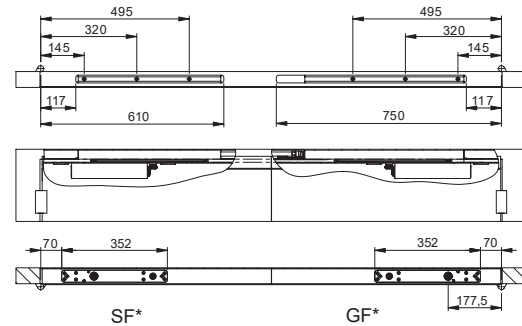
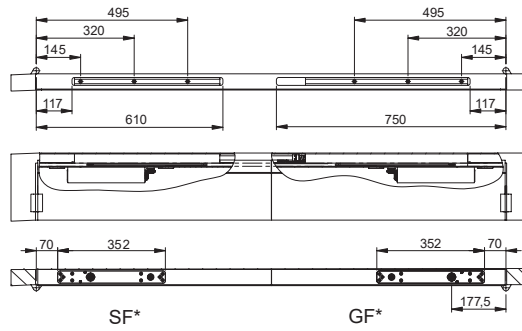
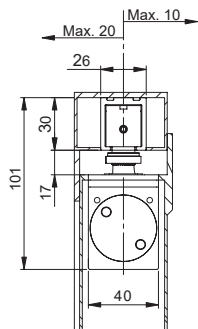
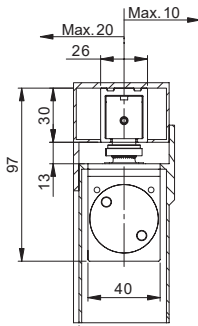
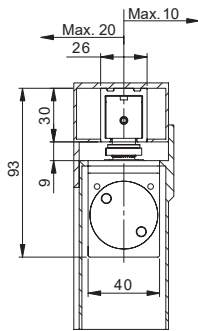
### Colour:

- Silver EV1
- Customised finish

You can find the complete specification on the internet at: [www.assaabloy.de](http://www.assaabloy.de)

# DC860 with G881

## Dimensional drawings and accessories



### Installation dimensions

Right handed door shown in diagram  
Left handed door is the reverse  
SF\*= Inactive leaf  
GF\*= Active leaf

### Installation dimensions with 4 mm axis extension

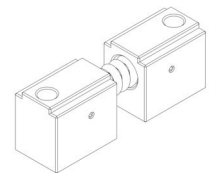
Right handed door shown in diagram  
Left handed door is the reverse  
SF\*= Inactive leaf  
GF\*= Active leaf

### Installation dimensions with 8 mm axis extension

Right handed door shown in diagram  
Left handed door is the reverse  
SF\*= Inactive leaf  
GF\*= Active leaf

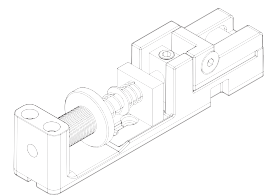
### Opening damper A191

Helps prevent the door and door handle from hitting a return wall.  
Simple fitting into guide rail and continuously adjustable.  
Does not replace a door stop.



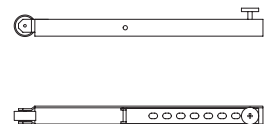
### Mechanical hold-open device A114

Mechanical hold-open device for doors which need to be secured in the open positions.  
Hold-open angle adjustable from ca. 70°-120°.  
Not approved for use on fire and smoke protection doors



### Carry bar A101

Enables the correct opening sequence of double doors, installed to inactive door leaf on non-hinge side  
(G461/G462/G464 installed on hinge side)



# DC860 with G881

## Accessories and order placement information

### Carry bar A102

Enable the correct opening sequence of double doors, installed to inactive door leaf on non-hinge side  
(G461/G462/G464 installed on non-hinge side)



### Fixing plate A162

Mounting plate set for metal doors.



### Smoke protection detector A177 (optical)

Operating voltage 15-30 VDC



### Fire protection A193

The fire protection is used depending on the door type to improve fire resistance. It is stuck on the electric strike from above. The adjustment options remain the same.



Designation/ Item	Order no.
Concealed guide rail G881 with mechanical coordinator, silver EV1	<b>DCG881-----EV1-</b>
Concealed guide rail G881 with mechanical coordinator, customised finish	<b>DCG881-----XXXX</b>
Carry bar A101	<b>DCA101-----</b>
Carry bar A102	<b>DCA102-----</b>

Designation/ Item	Order no.
Mechanical hold-open device A114	<b>DCA114-----</b>
Smoke protection detector A177	<b>DCA177-----</b>
Opening damper A191	<b>DCA191-----</b>
Mounting Plate A162, galvanised	<b>DCA162-----40</b>
Fire protection A193	<b>DCA193-----</b>

## DC860 with G882/ G884

Concealed door closer with Cam-Motion® technology and guide rail with integrated mechanical coordinator and two electro-mechanical hold-open devices



### ASSAABLOY DC860 with G882 / G884

- Concealed door closer with Cam-Motion® technology and guide rail with integrated mechanical coordinator and two electro-mechanical hold-open devices for double leaf doors
- Guide rail is certified in compliance with EN1155 and EN1158, size 3-6
- Closer is certified in compliance with EN1154, size 1-5
- Fulfills barrier-free building requirements (EA/ CEN TR15894)
- Suitable for fire and smoke protection double leaf doors, hinge distance 1350-2500 mm
- DIBt approval with different smoke detection systems

### Characteristics of DC860 with G882 / G884

- Concealed guide rail with integrated electro-mechanical hold-open device on both sides and door coordinator based on wedge system
- Hold-open angle adjustable between 80° - 120°
- Continuously adjustable holding force
- Larger range of applications
- Standard colours: silver EV1
- Customised finishes available on request

### Characteristics of G882

- Concealed mechanical coordinator with two electro-mechanical hold-open devices for double leaf doors
- Possible to keep active leaf or both door leaves open

### Characteristics of G884

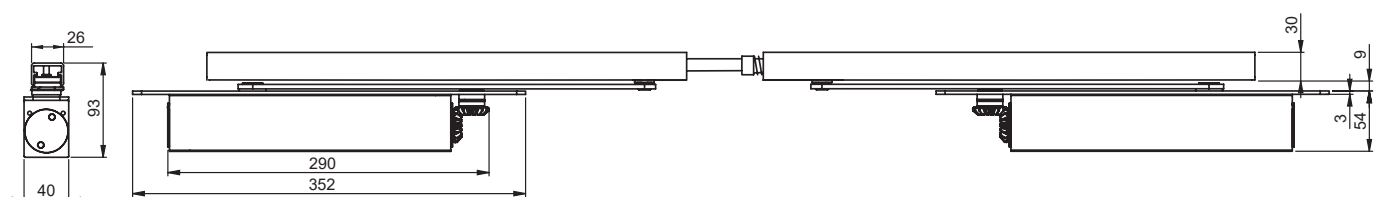
- Concealed mechanical coordinator with one electro-mechanical hold-open device for double leaf doors
- Possible to keep both door leaves open by using only one electro-mechanical hold-open device



CE	Abloy Oy, PO Box 108 80101 Joensuu Finland	11	3 8 5 1 1 2			
			EN1154:1996+A1:2002 0432-CPD-0047			
Dangerous substances: None						

CE	Abloy Oy, PO Box 108 80101 Joensuu, Finland	09	3 8 6 3 1 1 0			
			EN 1155:1997+A1:2002 0432-CPD-0050			
Dangerous substances: None						

CE	Abloy Oy, PO Box 108 80101 Joensuu, Finland	09	3 8 6 3 1 1 0			
			EN 1158:1997+A1:2002 0432-CPD-0049			
Dangerous substances: None						



# DC860 with G882/ G884

## Technical attributes

### Concealed guide rail G882/G884

Technical attributes	
Hinge distance	1350 - 2500 mm
Required power supply	24 VDC
Max. opening angle for active and inactive leaf	Up to 120°
Hold-open angle of inactive leaf	80° - 120°
Weight G882 / G884	2.2 kg / 2.1 kg
Height	30 mm
Depth	26 mm
Length	Depending on overall door width
Suitable for fire doors	Yes
Certified in compliance with	EN1155 and EN1158
CE marking for building products	Yes

Facts for door closer see DC860

### The advantages at a glance

Customer segment	Advantages
Project planners	- Extensive range of uses: Fire and smoke protection doors as well as standard doors - Fulfills barrier-free building requirements (EA / CENTR15894) - Comprehensive functions, standard or optional
Builders	- Quick and easy installation - Quickly and easily adjustable - Suitable for left and right handed doors
Trade	- Reduced inventory costs due to modular product range - One single product suitable for a large variety of mounting positions
User	- Easier door opening and improved accessibility due to rapidly decreasing torque - Largely unaffected by temperature fluctuations thanks to thermodynamic valves

Our service for you: here you can see the individual advantages of our door closer models for your respective field of business.

### Specification for DC860 with G882 / G884

ASSAABLOY concealed guide rail with mechanical coordinator and two electro-mechanical hold-open devices for double leaf doors used with DC860 concealed Cam-Motion® door closers

- For doors with a hinge distance between 1350 mm and 2500 mm
- Hold-open angle in active and inactive leaf continuously adjustable between about 80° and 120°
- Adjustable holding force
- Closing speed, latching speed and closing force continuously adjustable when installed
- CE approved
- Additional verification of suitability required for the respective fire or smoke protection door

### Accessories:

- Carry bar A101
- Carry bar A102
- Smoke detector station RZ100
- Ceiling smoke detector ORS142 / TDS 247
- Flush mounted door release button A178
- Fixing plate A162
- Fire protection A193

### Colour:

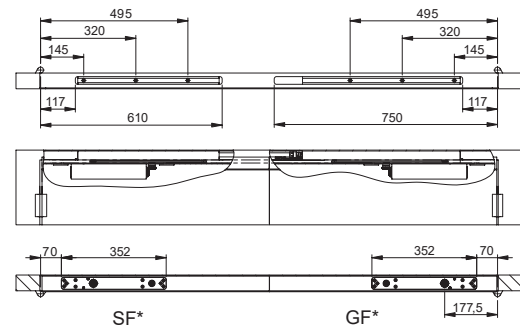
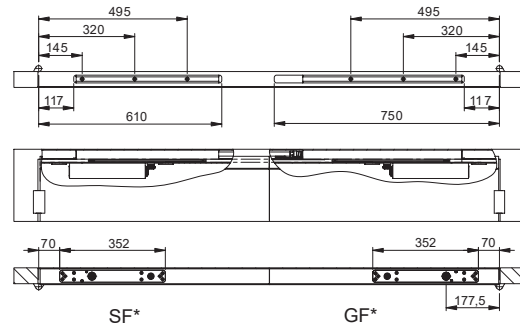
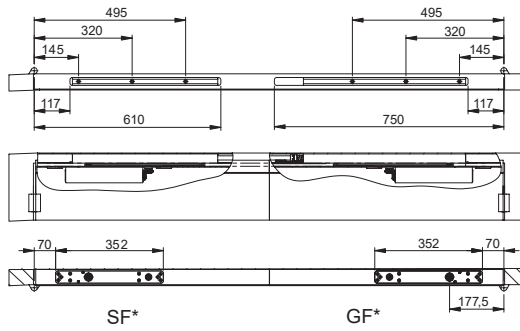
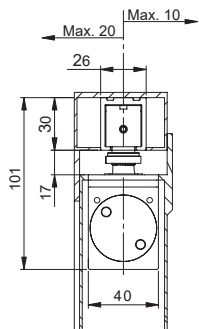
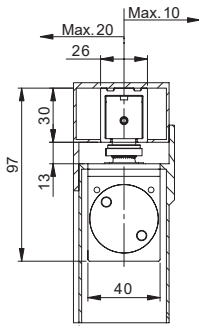
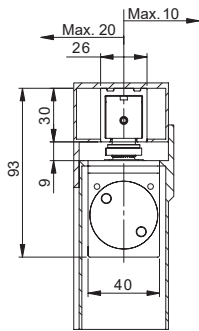
- Silver EV1
- Customised finish

You can find the complete specification on the internet at: [www.assaabloy.de](http://www.assaabloy.de)



# DC860 with G882/ G884

## Dimensional drawings



### Installation dimensions

Right handed door shown in diagram  
 Left handed door is the reverse  
 SF\*= Inactive leaf  
 GF\*= Active leaf

### Installation dimensions with 4 mm axis extension

Right handed door shown in diagram  
 Left handed door is the reverse  
 SF\*= Inactive leaf  
 GF\*= Active leaf

### Installation dimensions with 8 mm axis extension

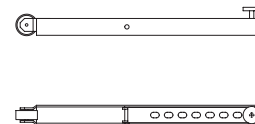
Right handed door shown in diagram  
 Left handed door is the reverse  
 SF\*= Inactive leaf  
 GF\*= Active leaf

# DC860 with G882/ G884

## Accessories and order placement information

### Carry bar A101

Enable the correct opening sequence of double doors, installed to inactive door leaf on non-hinge side  
(G461/G462/G464 installed on hinge side)



### Carry bar A102

Enable the correct opening sequence of double doors, installed to inactive door leaf on non-hinge side  
(G461/G462/G464 installed on non-hinge side)



### Fixing plate A162

Mounting plate set for metal doors.



### Flushmounted door release button A178

For manual release of hold-open.



### Smoke protection detector A177 (optical)

Operating voltage 15-30 VDC



### Fire protection A193

The fire protection is used depending on the door type to improve fire resistance. It is stuck on the electric strike from above. The adjustment options remain the same.



Designation/ Item	Order no.
Concealed guide rail G882 with mechanical coordinator and two electro-mechanical hold-open devices, silver EV1	<b>DCG882-----EV1-</b>
Concealed guide rail G882 with mechanical coordinator and two electro-mechanical hold-open devices, customised finish	<b>DCG882-----XXXX</b>
Concealed guide rail G882 with mechanical coordinator and two electro-mechanical hold-open devices, customised finish G884	<b>DCG884-----EV1-</b>
Concealed guide rail G882 with mechanical coordinator and two electro-mechanical hold-open devices, customised finish G884	<b>DCG884-----XXXX</b>

Designation/ Item	Order no.
Carry bar A101	<b>DCA101-----</b>
Carry bar A102	<b>DCA102-----</b>
Smoke detector unit RZ100, silver EV1	<b>DCRZ100---DEV1-</b>
Ceiling mounted smoke detector RZ101/ORS142 with base, white, similar to RAL9010	<b>DCRZ101----9010</b>
Flushmounted door release button A178	<b>DCA178-----</b>
Fixing Plate A162, galvanised	<b>DCA162-----40</b>
Fire protection A193	<b>DCA193-----</b>

# DC840

## Concealed door closer with Cam-Motion® technology and guide rail



### ASSAABLOY DC840

- Concealed door closer with Cam-Motion® technology and small standard concealed guide rail G892 or standard concealed guide rail G893
- Fulfills barrier-free building requirements (EA/ CEN TR15894)
- Certified in compliance with EN1154, size 1-4
- Suitable for fire and smoke protection doors
- For single action doors up to 1100 mm wide

### Characteristics of DC840

- Can be used for left and right-handed doors
- Closing speed and latching speed adjustable from top facing regulating valves
- Built-in backcheck
- Thermodynamic valves for consistent performance
- Opening angle up to 120°
- Larger range of applications
- Versions with 4 mm and 8 mm spindle extensions
- Standard colours: silver EV1
- Can be used for left and right-handed doors

### Characteristics of standard guide rail G892

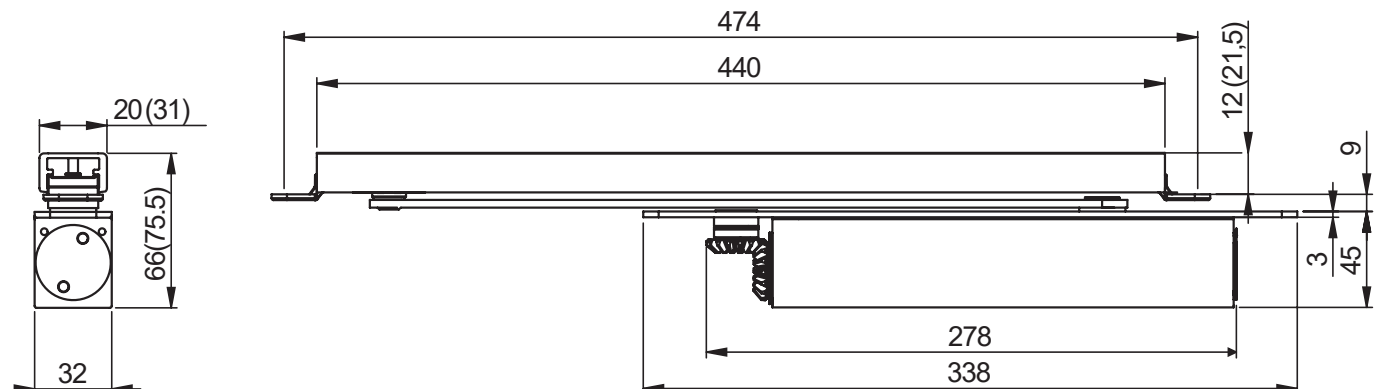
- Small size guide rail, can be used with hold-open device and opening damper
- For standard applications
- Installation dimensions: seediagram

### Characteristics of guide rail G893

- Guide rail suitable for equipping with hold-open device and opening damper
- Installation dimensions: seediagram (dimensions in brackets)



CE	Abloy Oy, PO Box 108 80101 Joensuu Finland	Wrench and screwdriver icon	QR code	11		
					DC840	EN1154:1996+A1:2002 0432-CPD-0047
Dangerous substances: None						



# DC840

## Technical attributes

Technical attributes	
Max. door opening angle	Ca. 120°
Closing force	EN14
Door width up to	1100 mm
Suitable for fire doors	Yes*
Handing	Left / right handed
Closing speed	Variable 120° - 7°
Latching speed	Variable 7° - 0°
Weight	1.4 kg
Height	45 mm
Depth	32 mm
Length	278 mm
Certified in compliance with	EN1154
CE marking for building products	Yes

\*Additional verification of suitability required for the respective fire smoke protection door

### The advantages at a glance

Customer segment	Advantages
Project planners	<ul style="list-style-type: none"> <li>- Extensive range of uses: Fire and smoke protection doors as well as standard doors</li> <li>- Fulfill barrier-free building requirements (EA / CENTR15894)</li> <li>- Comprehensive functions, standard or optional</li> </ul>
Builders	<ul style="list-style-type: none"> <li>- Quick and easy installation</li> <li>- Quickly and easily adjustable</li> <li>- Suitable for left and right handed doors</li> </ul>
Trade	<ul style="list-style-type: none"> <li>- Reduced inventory costs due to modular product range</li> <li>- One single product suitable for large variety of mounting positions</li> <li>- Complementary accessories available for the whole product range</li> </ul>
User	<ul style="list-style-type: none"> <li>- Easier door opening and improved accessibility due to rapidly decreasing torque</li> <li>- Largely unaffected by temperature fluctuations thanks to thermodynamic valves</li> </ul>

Our service for you: here you can see the individual advantages of our door closer models for your respective field of business.

### Specifications for DC840

ASSAABLOY Concealed Door Closer DC840 with CAM Motion® Technology and concealed guide rail in compliance with EN1154

- Closing power continuously adjustable, EN size 1-4, for doors up to 1100 mm wide
- Closing speed, latching speed and closing force continuously adjustable when installed
- CE approved
- Suitable for left and right handed doors
- Additional verification of suitability required for the respective fire or smoke protection door

#### Accessories:

- Small concealed guide rail G892
- Standard concealed guide rail G893
- Mechanical hold-open device A152 for G893
- Mechanical opening damper A153 for G893
- Mechanical hold-open device A156 for G892
- Mechanical opening damper A157 for G892
- Fixing plate A162
- Fire protection A192

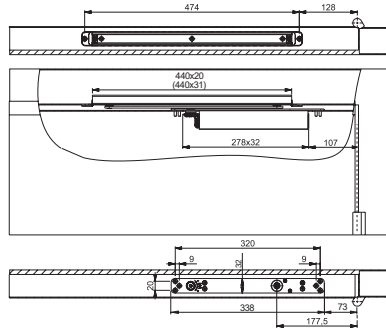
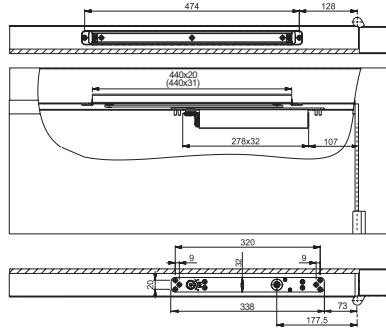
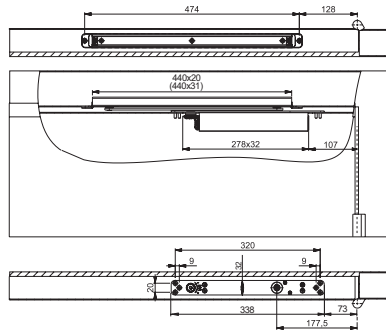
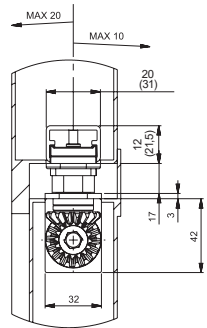
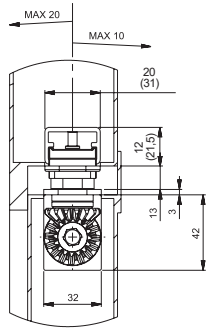
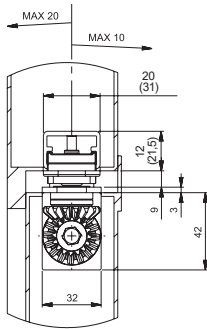
#### Colour:

- Silver EV1
- Customised finish

You can find the complete specification on the internet at: [www.assaabloy.de](http://www.assaabloy.de)

# DC840

## Dimensional drawings



### Installation dimensions

Right handed door shown in diagram  
Left handed door is the reverse

### Installation dimensions with 4 mm axis extension

Right handed door shown in diagram  
Left handed door is the reverse

### Installation dimensions with 8 mm axis extension

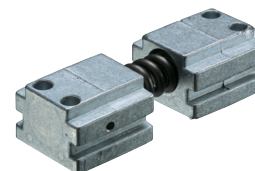
Right handed door shown in diagram  
Left handed door is the reverse

# DC840

## Accessories and order placement information

### Opening damper A153

Helps to prevent the door and door handle from hitting a return wall.  
 Simple fitting into guide rail.  
 Opening damper continuously adjustable up to an opening angle of max. 130°.  
 Does not replace a door stop.



### Mechanical opening damper A157

Helps to prevent the door and door handle from hitting a return wall.  
 Simple fitting into guide rail G892, does not replace a door stop.



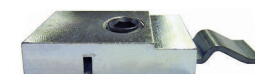
### Hold-open device A152

Mechanical hold-open device for doors which sometimes need to be secured in the open position.  
 Simple fitting into guide rail G193 and G195.  
 Hold-open angle max. 130°  
 Not approved for use on fire and smoke protection doors  
 Continuously adjustable holding force



### Hold-open device A156

Mechanical hold-open device for doors which sometimes need to be secured in the open position.  
 Simple fitting to guide rail G892.  
 Not approved for use on fire and smoke protection doors



### Fireprotection A192

Not approved for use on fire and smoke protection doors  
 Fireprotection for improving fire resistance  
 The Fireprotection is used depending on the door type to improve fire resistance.  
 It is stuck on the electric strike from above. The adjustment options remain the same.



### Fixing plate A162

Mounting plate set for metal doors.



Designation / Item	Order no.
DC840 EN size 1 – 4, silver EV1	<b>DC840-----EV1-</b>
DC840 EN size 1-4, spindle extension 4 mm, silver EV1	<b>DC8404-----EV1-</b>
DC840 EN size 1-4, spindle extension 8 mm, silver EV1	<b>DC8408-----EV1-</b>
Concealed Standard Guide Rail G892, small, silver EV1	<b>DCG892-----EV1-</b>
Concealed Standard Guide Rail G892, small, customised finish	<b>DCG892-----XXXX</b>
Concealed standard guide rail G893, silver EV1	<b>DCG893-----EV1-</b>

Designation / Item	Order no.
Concealed standard guide rail G893, customised finish	<b>DCG893-----XXXX</b>
Hold-open device A152	<b>DCA152-----</b>
Opening damper A153	<b>DCA153-----</b>
Hold-open device A156	<b>DCA156-----</b>
Backcheck A157	<b>DCA157-----</b>
Mounting Plate A162, galvanised A162	<b>DCA162-----40</b>
Fireprotection A192	<b>DCA192-----</b>

# DC640

## Rack and pinion door closer with free-swing function

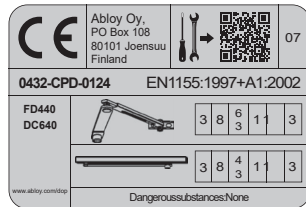


### ASSA ABLOY DC640

- Rack and pinion door closer with free-swing function
- Certified in compliance with EN1155
- Suitable for fire and smoke protection doors
- Door width up to 1400 mm with link arm free-swing L690 and up to 1100 mm with guide rail free-swing G694

### Characteristics of DC640

- Electro-hydraulic door closer
- Supplied with integrated concealed mounting plate, suitable for fire and smoke protection doors
- For activating free-swing feature, first opening min. 70 degrees
- Can be used also as electro-mechanical hold-open device in applications with link arm L190 or guide rail G195
- Can be used for left and right-handed doors
- Arm system height-adjustable up to 14 mm
- Closing speed, latching speed and backcheck adjustable via front facing regulating valves
- Thermodynamic valves for consistent performance
- Variable adjustable closing force
- Opening angle up to 180°
- Largerange of applications
- Standard colours: silver EV1; white, similar to RAL9016; brown, similar to RAL8014; black, similar to RAL9005
- Customised finishes available on request

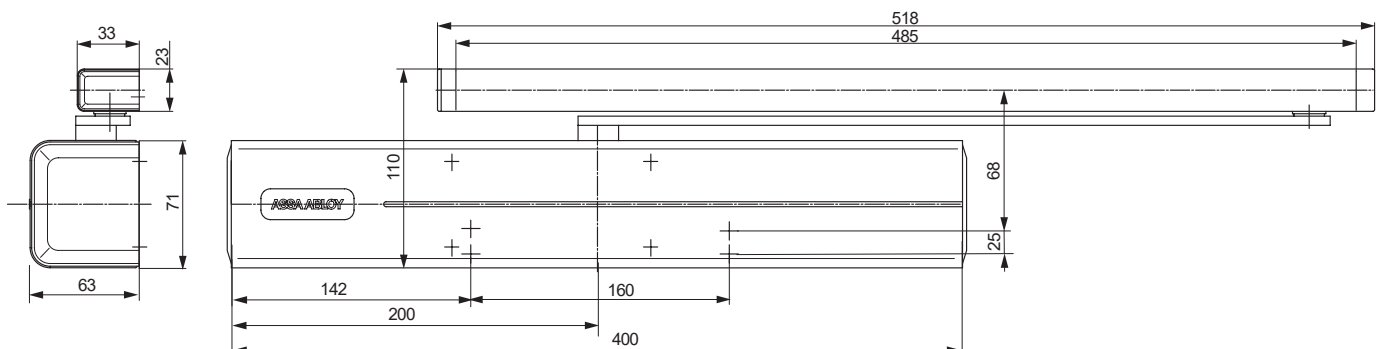


### Characteristics of guide rail free-swing G694

- Free-swing angle adjustable up to 180°
- Closing force size EN3-4
- Doors up to 1100 mm wide

### Characteristics of link arm free-swing L690

- Free-swing angle adjustable up to 180°
- Closing force size EN3-6
- Doors up to 1400 mm wide



# DC640

## Technical attributes

Technical attributes	
Door width up to	1100 mm / 1400 mm
Closing force with guide rail / with link arm	EN3-4 / EN3-6
Suitable for fire doors	Yes
Handing	Left / right handed
Closing speed	Variable between 180°-0°
Latching speed	Variable between 15°-0°
Backcheck	Variable above 75°
Weight	4.0 kg
Height	69 mm
Depth	64.5 mm
Length	397 mm
Certified in compliance with	EN1155
CE marking for building products	Yes

### The advantages at a glance

Customer segment	Advantages
Project planners	<ul style="list-style-type: none"> <li>- Free-swing function</li> <li>- CE certified with link arm and guide rail</li> <li>- Modern design</li> <li>- Standard functions built-in</li> <li>- Fulfills barrier-free building requirements</li> </ul>
Builders	<ul style="list-style-type: none"> <li>- Adjustable to nearly all door and frame types</li> <li>- Quick and easy installation</li> <li>- Quickly and easily adjustable</li> <li>- Suitable for left and right handed doors, in both door and frame mounted applications</li> </ul>
Trade	<ul style="list-style-type: none"> <li>- One single product suitable for a large variety of mounting positions</li> <li>- Complementary accessories available for the whole product range</li> </ul>
User	<ul style="list-style-type: none"> <li>- After first opening door could be opened without any opening resistance</li> <li>- Largely unaffected by temperature fluctuations thanks to thermodynamic valves</li> <li>- Free-swing function</li> </ul>

Our service for you: here you can see the individual advantages of our door closer models for your respective field of business.

You can find the complete specification on the internet at: [www.assaabloy.de](http://www.assaabloy.de)

### Specifications for DC640

ASSAABLOY Door Closer DC640 featuring free-swing technology in compliance with EN1155

- With link arm free-swing L690 closing power continuously adjustable, EN size 3-6, for doors up to 1400 mm wide
- With guide rail free-swing G694 closing power continuously adjustable, EN size 3-4, for doors up to 1100 mm wide
- Closing speed, latching speed and backcheck adjustable via front facing regulating valves
- Supplied with integrated concealed mounting plate, suitable for fire and smoke protection doors
- CE approved
- 14 mm height adjustable arm system for ease of fitting
- Suitable for left and right handed doors

### Accessories:

- Link arm free-swing L690
- Guide rail free-swing G694
- Connection box A140 for door leaf installations
- Mounting plate A130 for guide rail G694
- Smoke protection detector A177
- Flush mounted door release button A178

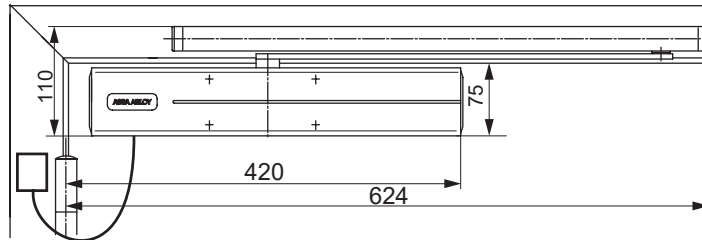
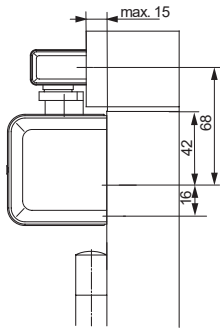
### Colour:

- Silver EV1
- White, similar to RAL9016
- Brown, similar to RAL8014
- Black, similar to RAL9005
- Customised finish



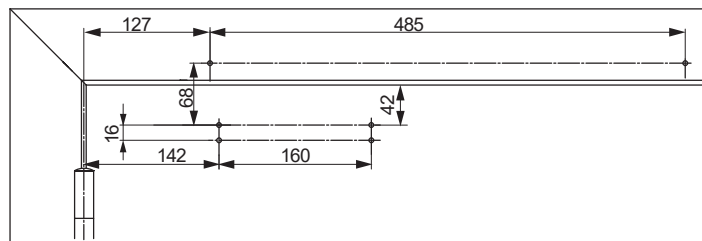
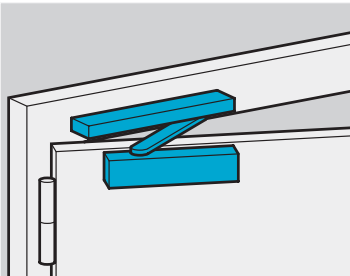
# DC640

## Dimensional drawings



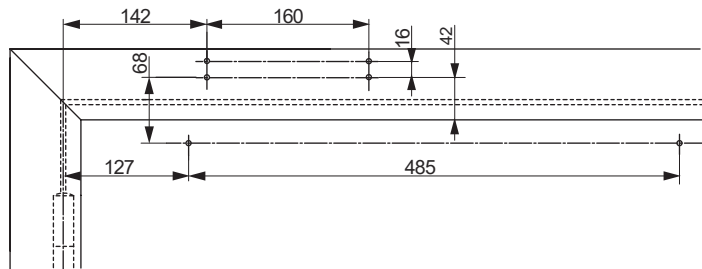
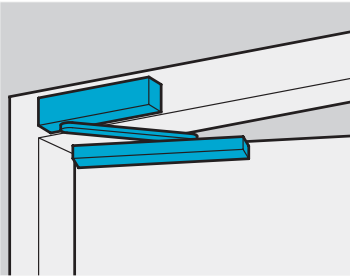
### Required space on doors

Left handed shown in diagram  
Right handed is the reverse



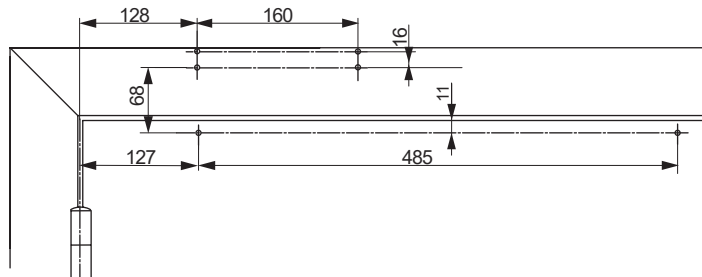
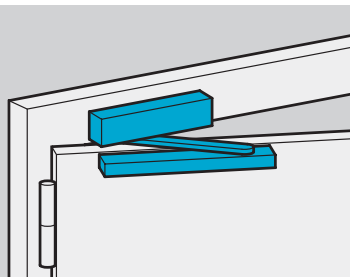
### Installation dimensions for standard mounting on hinge side with guide rail

Left handed shown in diagram  
Right handed is the reverse



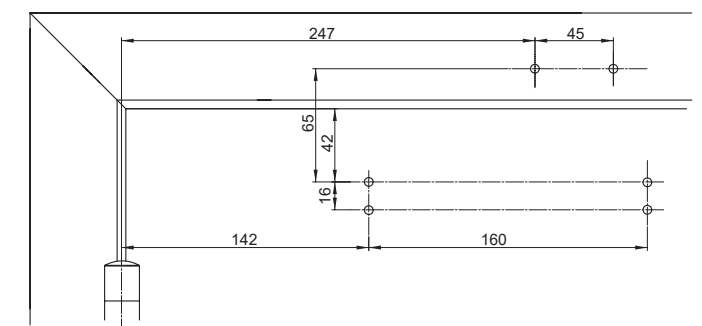
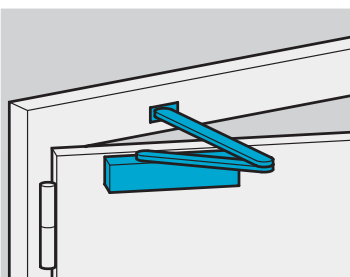
### Installation dimension for frame mounting on non-hinge side with guide rail

Closer on non-hinge side of door frame  
Right handed door shown in diagram  
Left handed door is the reverse



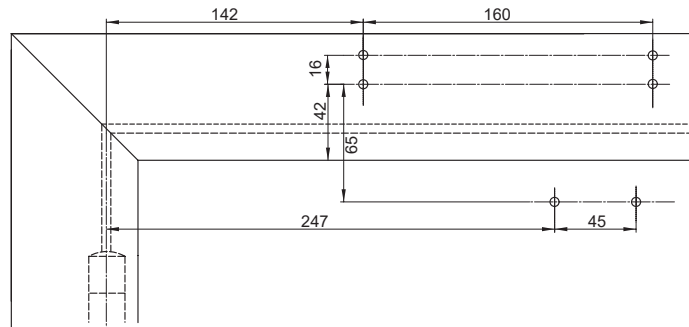
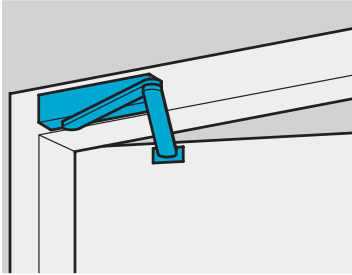
### Installation dimension for frame mounting on hinge side with guide rail

Closer on hinge side of door frame.  
Left handed shown in diagram  
Right handed is the reverse



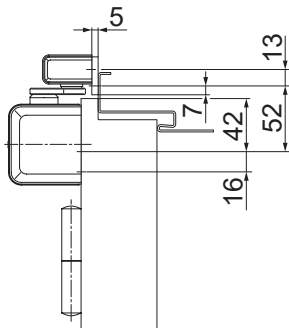
### Installation dimension for standard mounting on hinge side with link arm

Left handed shown in diagram  
Right handed is the reverse

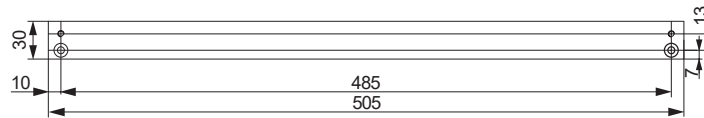


Installation dimension for frame mounting on non-hinge side with link arm

Closer on non-hinge side of door frame  
Right handed door shown in diagram  
Left handed door is the reverse



Mounting plate A130  
For guide rail G694

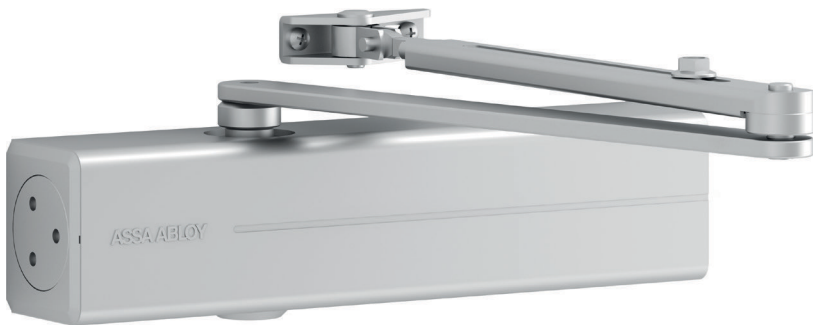


Designation/ Item	Order no.
DC640 ENsize 3-6 / ENsize 3-4, brown, similar to RAL8014	<b>DC640-----D8014</b>
DC640 ENsize 3-6 / ENsize 3-4, black, similar to RAL9005	<b>DC640-----D9005</b>
DC640 ENsize 3-6 / ENsize 3-4, white, similar to RAL9016	<b>DC640-----D9016</b>
DC640 ENsize 3-6 / ENsize 3-4, silver EV1	<b>DC640-----DEV1-</b>
DC640 ENsize 3-6 / ENsize 3-4, customised finish	<b>DC640-----DXXXX</b>
Link arm free-swing L690, silver EV1	<b>DCL690-----EV1-</b>
Link arm free-swing L690, white, similar to RAL9016	<b>DCL690-----9016</b>
Link arm free-swing L690, brown, similar to RAL8014	<b>DCL690-----8014</b>
Link arm free-swing L690, black, similar to RAL9005	<b>DCL690-----9005</b>
Link arm free-swing L690, customised finish	<b>DCL690-----XXXX</b>
Guide rail free-swing G694, silver EV1	<b>DCG694-----EV1-</b>
Guide rail free-swing G694, white, similar to RAL9016	<b>DCG694-----9016</b>
Guide rail free-swing G694, brown, similar to RAL8014	<b>DCG694-----8014</b>

Designation/ Item	Order no.
Guide rail free-swing G694, black, similar to RAL9005	<b>DCG694-----9005</b>
Guide rail free-swing L694, customised finish	<b>DCG694-----XXXX</b>
Angle bracket A104, silver EV1	<b>DCA104-----EV1-</b>
Angle bracket A104, RAL9016white	<b>DCA104-----9016</b>
Angle bracket A104, brown, similar to RAL8014	<b>DCA104-----8014</b>
Angle bracket A104, black, similar to RAL9005	<b>DCA104-----9005</b>
Mounting plate A130, silver EV1	<b>DCA130-----EV1-</b>
Mounting plate A130, white, similar to RAL9016	<b>DCA130-----9016</b>
Mounting plate A130, brown, similar to RAL8014	<b>DCA130-----8014</b>
Mounting plate A130, black, similar to RAL9005	<b>DCA130-----9005</b>
Mounting plate A130, customised finish	<b>DCA130-----XXXX</b>
Connection box A140	<b>DCA140-----</b>
Mounting plate A115, silver EV1	<b>DCA115-----EV1-</b>
Mounting plate A115, customised finish	<b>DCA115-----XXXX</b>
Smokeprotection detector A177	<b>DCA177-----</b>
Flushmounted door releasebutton A178	<b>DCA178-----</b>

# DC300

## Rack and pinion door closer with link arm



### ASSA ABLOY DC300

- Rack and pinion closer with link arm L190
- Certified in compliance with EN1154, size 3-6
- Suitable for fire and smoke protection doors
- For single action doors up to 1400 mm wide

### Characteristics of DC300

- Can be used with integrated concealed mounting plate, suitable for fire and smoke protection doors
- Can be used for left and right-handed doors
- Axis height-adjustable up to 14 mm
- Closing speed, latching speed and backcheck adjustable via front facing regulating valves
- Thermodynamic valves for consistent performance
- Variable adjustable closing force
- Opening angle up to 180°
- Effective backcheck and latching speed range adjustable
- Accessories for established installation types
- Large range of applications
- Standard colours: silver EV1; white, similar to RAL9016; brown, similar to RAL8014; black, similar to RAL9005
- Customised finishes available on request



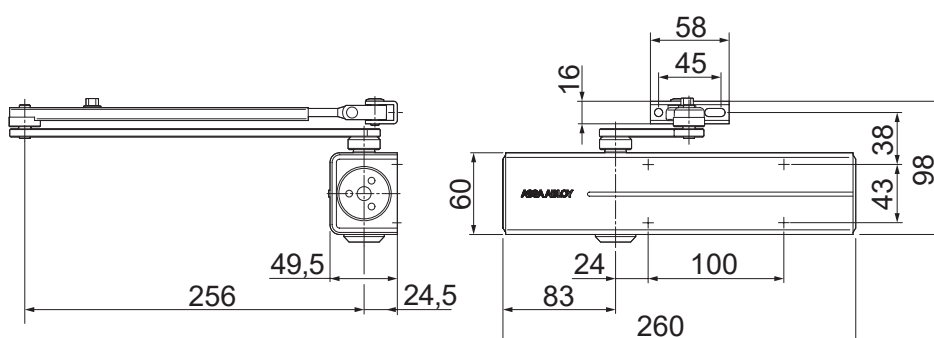
CE	ASSA ABLOY Sicherheitstechnik GmbH Bühlstockstraße 20 72458 Albstadt	16
	EN 1154:1996/A1:2002 1121-CPR-AD5246	
DC300	4 8 6 3 1 1 4	
Dangerous substances: None		

### Characteristics of special model DC300DA

- Delayed closing adjustable from front
- Other features as in model DC300

### Characteristics of hold open link arm L191

- Hold-open angle adjustable up to 150°
- Hold-open mode can be enabled and disabled as required
- Same installation as link arm
- Cannot be used with fire and smoke protection doors



# DC300

## Technical attributes

Technical attributes	
Closing force	EN3-6
Door width up to	1400 mm
Suitable for fire doors	Yes
Handing	Left / right handed
Closing speed	Variable between 180°-15°
Latching speed	Variable between 15°-0°
Backcheck	Variable above 75°
Delayed closing	No
Hold-open mode (with hold-open link arm L191)	Adjustable 75°-150°, can be enabled and disabled
Weight	1.9 kg
Height	60 mm
Depth	50 mm
Length	260 mm
Certified in compliance with	EN1154
CE marking for building products	Yes

### The advantages at a glance

Customer segment	Advantages
Project planners	<ul style="list-style-type: none"> <li>- Extensive range of uses: Fire and smoke protection doors as well as standard doors</li> <li>- Modern design</li> <li>- Compact design</li> <li>- Fulfills barrier-free building requirements</li> <li>- Same dimensions and design with and without mounting plate</li> <li>- Comprehensive functions, standard and optional</li> </ul>
Builders	<ul style="list-style-type: none"> <li>- One drilling template overall</li> <li>- Adjustable to nearly all door and frame types</li> <li>- Quick and easy installation</li> <li>- Quickly and easily adjustable</li> <li>- Suitable for left and right handed doors, in both door and frame mounted applications</li> </ul>
Trade	<ul style="list-style-type: none"> <li>- Reduced inventory costs due to modular product range</li> <li>- One single product suitable for large variety of mounting positions</li> <li>- Complementary accessories available for the whole product range</li> </ul>
User	<ul style="list-style-type: none"> <li>- Largely unaffected by temperature fluctuations thanks to thermodynamic valves</li> <li>- Easier door opening and improved accessibility due to rapidly decreasing torque</li> <li>- Backcheck feature offers optimum protection for doors and walls</li> </ul>

### Specifications for DC300

ASSAABLOY Door Closer DC300 featuring rack and pinion technology in compliance with EN1154

- Closing power adjustable, EN size 3-6, for doors up to 1400 mm wide
- Closing speed, latching speed and backcheck adjustable via front facing regulating valves
- Can be used with integrated concealed mounting plate, suitable for fire and smoke protection doors
- CE approved
- 14 mm height adjustable arm system for ease of fitting
- Suitable for left and right handed doors

### Accessories:

- Link arm L190
- Hold-open link arm L191 (Cannot be used with fire and smoke protection doors)
- Mounting plate A120
- Angle bracket A123
- Parallel arm bracket for parallel arm mounting A154
- Glassdoor shoe A165
- Full stainless steel cover A173

### Colour:

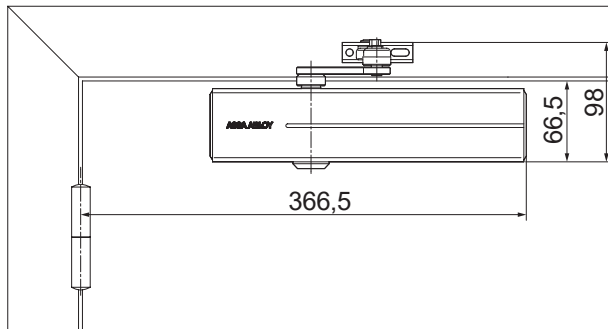
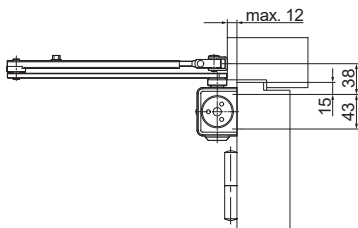
- Silver EV1
- White, similar to RAL9016
- Brown, similar to RAL8014
- Black, similar to RAL9005
- Customised finish

Our service for you: here you can see the individual advantages of our door closer models for your respective field of business.

You can find the complete specification on the internet at: [www.assaabloy.de](http://www.assaabloy.de)

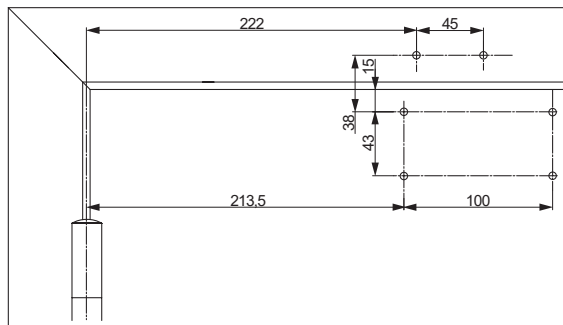
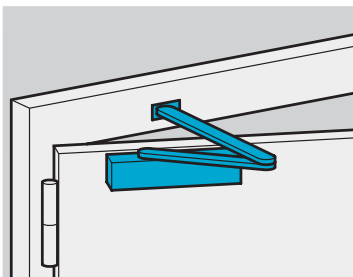
# DC300

## Dimensional drawings



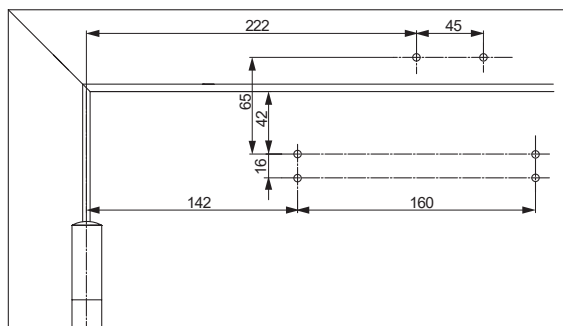
### Required space on doors

Left handed shown in diagram  
Right handed is the reverse



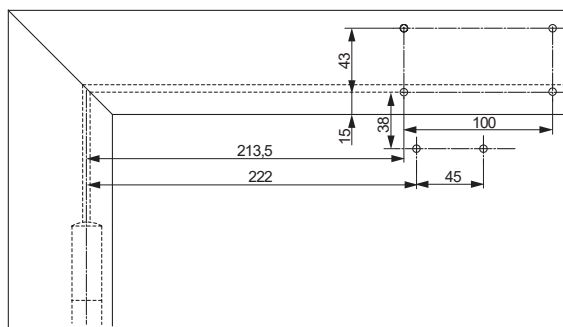
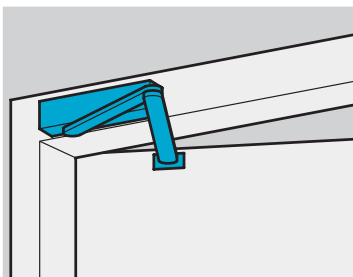
### Installation dimensions for direct mounting

Left handed shown in diagram  
Right handed is the reverse



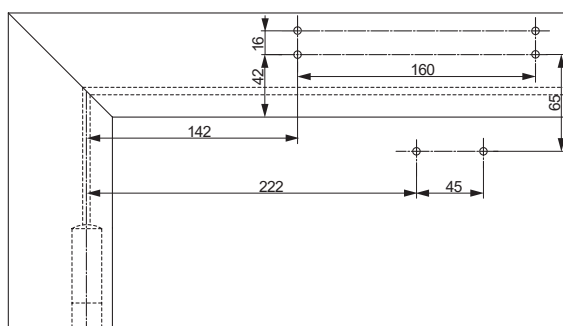
### Installation dimensions with mounting plate

In compliance with EN 1154, Supplement 1, or for doors where direct mounting is not possible. Left handed shown in diagram  
Right handed is the reverse



### Framemounting

Closer on non-hinge side of door frame  
Right handed door shown in diagram  
Left handed door is the reverse

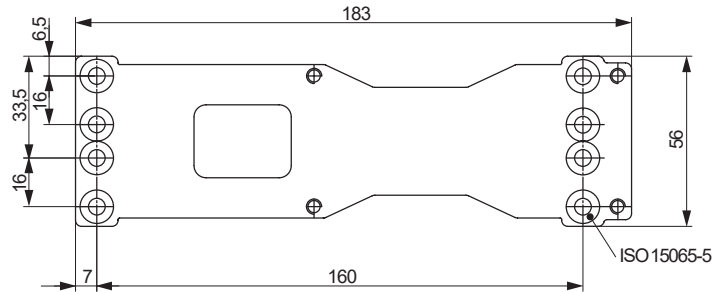
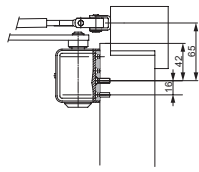


### Installation dimensions with mounting plate for frame mounting

Closer on non-hinge side of door frame. For doors where direct mounting is not possible. Right handed door shown in diagram  
Left handed door is the reverse

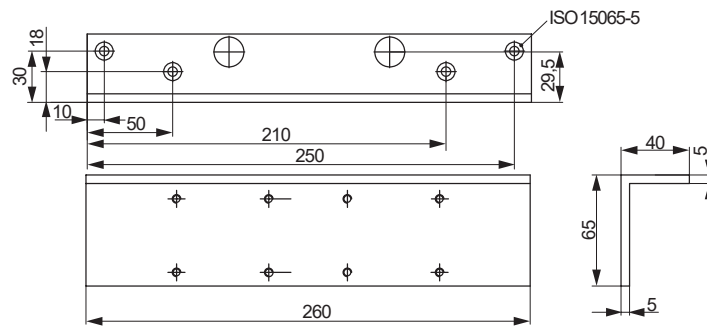
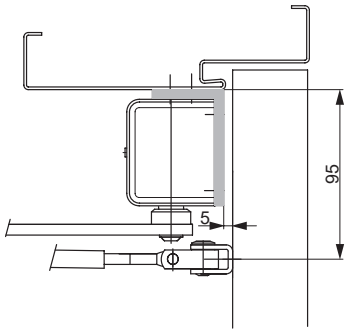
# DC300

## Accessories



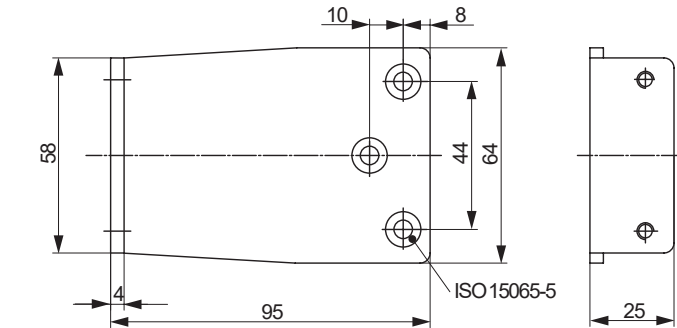
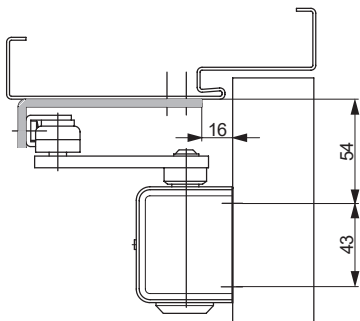
### Mounting plate A120

For mounting with drilling template acc. to EN 1154 Supplement 1 (fire and smoke protection doors) and for universal use



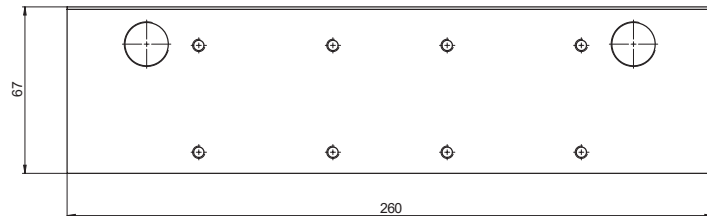
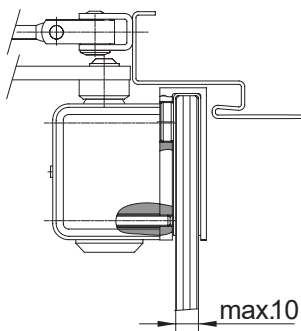
### Angle bracket A123

For frame mounting in case of deep jamb, head-room reduced by 70 mm. Checksuitability for use on fire and smoke protection doors.



### Parallel arm bracket A154

For Parallel Arm installation. Checksuitability for use on fire and smoke protection doors.



### Glassdoor shoe A165

For mounting the door closer on the all-glass door leaf.

# DC300

## Accessories and order placement information

### Stainless steel full cover



Designation/ Item	Order no.	Designation/ Item	Order no.
DC300, ENsize 3-6, silver EV1	DC300-----DEV1-	Hold-open link arm L191, black, similar to RAL9005 (Cannot be used with fire and smoke protection doors)	DCL191-----9005
DC300, ENsize 3-6, white, similar to RAL9016	DC300-----D9016	Hold-open link arm L191, customised finish (Cannot be used with fire and smoke protection doors)	DCL191-----XXXX
DC300, ENsize 3-6, brown, similar to RAL8014	DC300-----D8014	Mounting plate A120, galvanised	DCA120-----40
DC300, ENsize 3-6, black, similar to RAL9005	DC300-----D9005	Angle bracket A123, silver EV1	DCA123-----EV1-
DC300, ENsize 3-6, customised finish	DC300-----DXXXX	Angle bracket A123, white, similar to RAL9016	DCA123-----9016
DC300DA, size 3-6, silver EV1	DC310-----DEV1-	Angle bracket A123, brown, similar to RAL8014	DCA123-----8014
DC300DA, size 3-6, white, similar to RAL9016	DC310-----D9016	Angle bracket A123, black, similar to RAL9005	DCA123-----9005
DC300DA, size 3-6, brown, similar to RAL8014	DC310-----D8014	Angle bracket A123, customised finish	DCA123-----XXXX
DC300DA, size 3-6, black, similar to RAL9005	DC310-----D9005	Parallel arm bracket A154, silver EV1	DCA154-----EV1-
DC300DA, size 3-6, customised finish	DC310-----DXXXX	Parallel arm bracket A154, white, similar to RAL9016	DCA154-----9016
Link arm L190, silver EV1	DCL190-----EV1-	Parallel arm bracket A154, brown, similar to RAL8014	DCA154-----8014
Link arm L190, white, similar to RAL9016	DCL190-----9016	Parallel arm bracket A154, black, similar to RAL9005	DCA154-----9005
Link arm L190, brown, similar to RAL8014	DCL190-----8014	Parallel arm bracket A154, stainless steel	DCA154-----35--
Link arm L190, black, similar to RAL9005	DCL190-----9005	Parallel arm bracket A154, customised finish	DCA154-----XXXX
Link arm L190, customised finish	DCL190-----XXXX	Glassdoor shoe A165, silver EV1	DCA165-----EV1-
Hold-open link arm L191, silver EV1 (Cannot be used with fire and smoke protection doors)	DCL191-----EV1-	Mounting plate A168, for link arm, silver EV1	DCA168-----EV1-
Hold-open link arm L191, white, similar to RAL9016 (Cannot be used with fire and smoke protection doors)	DCL191-----9016	Full stainless steel cover A173	DCA173-----35--
Hold-open link arm L191, brown, similar to RAL8014 (Cannot be used with fire and smoke protection doors)	DCL191-----8014		





# DC300 Tandem

## Technical attributes

Technical attributes	
Closing force	EN>7 (2 x DC300)
Suitable for fire doors	Yes
Door width up to	1800 mm
Handing	Left / right handed
Closing speed	Variable between 180°-15°
Latching speed	Variable between 15°-0°
Backcheck	Variable above 75°
Hold-open mode	E.g. for external holding magnet
Weight	4.8 kg
Height	125 mm
Depth	55 mm
Length	260 mm
Certified in compliance with	EN1154 (DC300)
CE marking for building products	Yes (DC300)

### The advantages at a glance

Customer segment	Advantages
Project planners	- Extensive range of uses, also for extra large and heavy doors
Builders	- One drilling template overall - Standard door closers DC300 can be used with tandem mounting plates - Quick and easy installation - Quickly and easily adjustable - Suitable for left and right handed doors, in both door and frame mounted applications - Easily retrofitted with minimal rework
Trade	- Reduced inventory costs due to modular product range
User	- No reworking of door element for upgrade to tandem

Our service for you: here you can see the individual advantages of our door closer models for your respective field of business.

You can find the complete specification on the internet at: [www.assaabloy.de](http://www.assaabloy.de)

### Specifications for DC300 Tandem

ASSAABLOY Door Closer DC300 Tandem with link arm

- Closing power continuously adjustable, EN size >7, for doors up to 1,800 mm wide
- Closing speed, latching speed and backcheck adjustable via front facing regulating valves
- Can be used with mounting plate for fire and smoke protection doors
- 14 mm height adjustable arm system for ease of fitting
- Suitable for left and right handed doors

### Accessories:

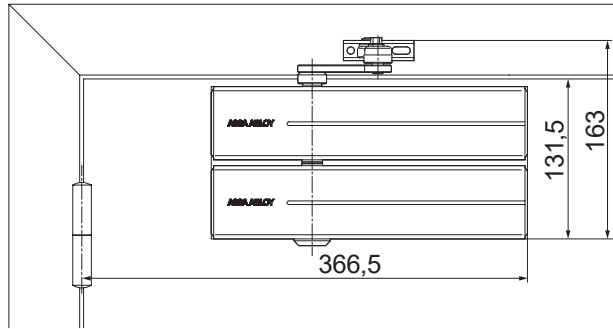
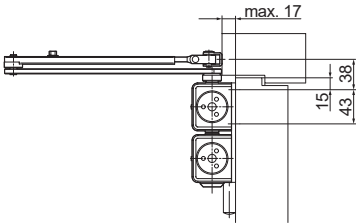
- 2 pieces DC300
- 1 piece mounting plates A121 (One piece of accessory pack contains mounting plate A121, extra long spindle and screw pack)
- 1 piece link arm L190

### Colour:

- Silver EV1

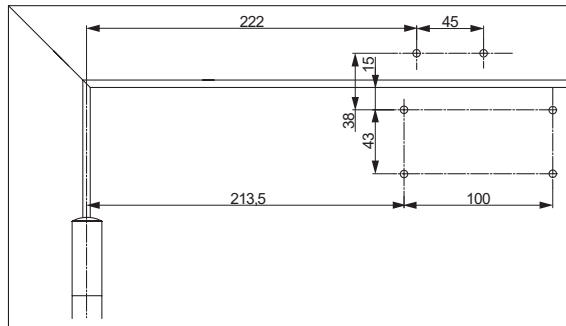
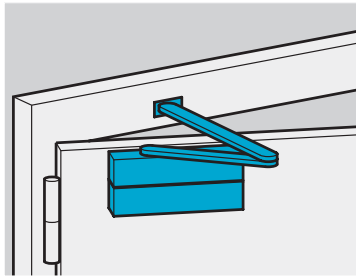
# DC300 Tandem

## Dimensional drawings and order placement information



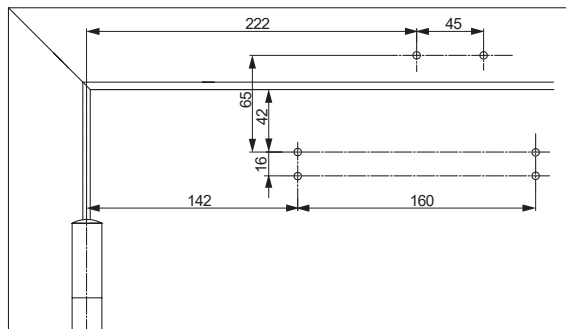
### Required space on doors

Left handed shown in diagram  
Right handed is the reverse



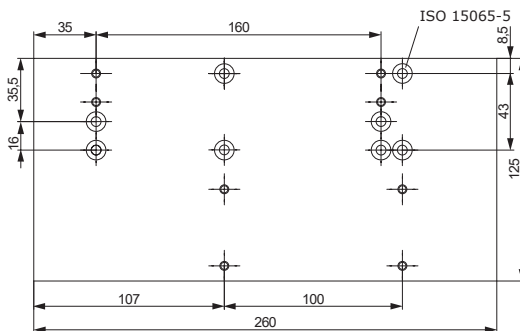
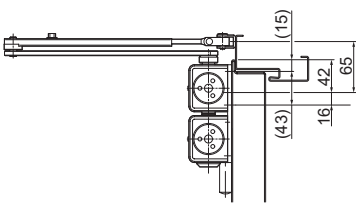
### Installation dimensions for direct mounting

Left handed shown in diagram  
Right handed is the reverse



### Installation dimensions

In compliance with EN 1154, Supplement 1, or for doors where direct mounting is not possible.  
Left handed shown in diagram  
Right handed is the reverse



### Mounting plate A121

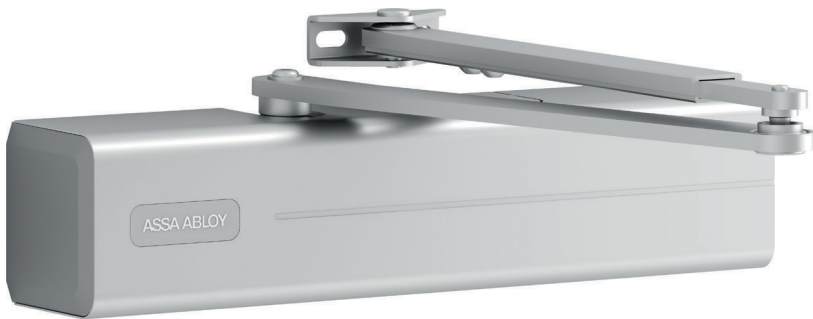
For mounting with drilling template acc. to EN 1154 Supplement 1 (fire and smoke protection doors) and for direct mounting.

Designation/ Item	Order no.
*DC300, ENsize 3-6, silver EV1	<b>DC300-----DEV1-</b>
Mounting plate A121, silver EV1	<b>DCA121-----EV1-</b>
Link arm L190, silver EV1	<b>DCL190-----EV1-</b>

\*have to be ordered twice

# DC347

## Rack and pinion door closer with link arm



### ASSA ABLOY DC347

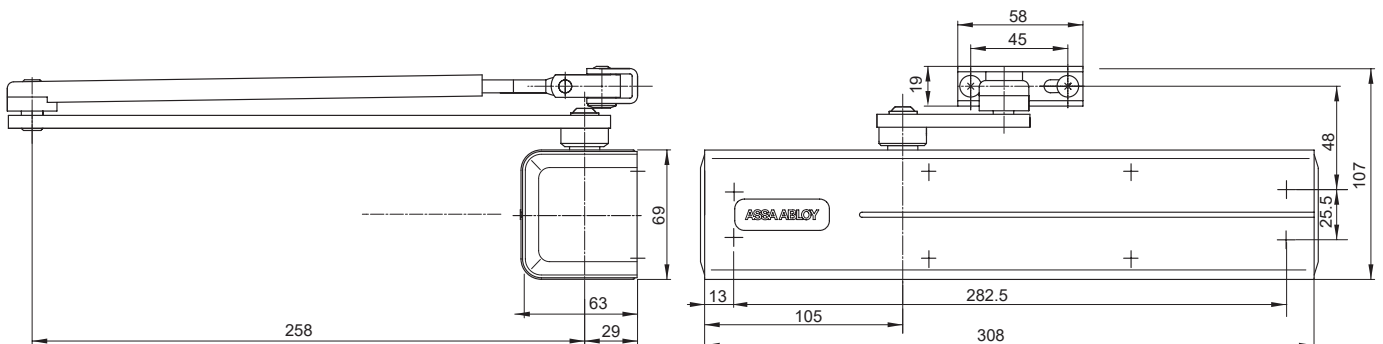
- Rack and pinion door closer with link arm L197
- Certified in compliance with EN1154, size 5 - 7
- Suitable for fire and smoke protection doors
- For single action doors with a width of up to 1600 mm

### Characteristics of DC347

- Can be used with integrated concealed mounting plate, suitable for fire and smoke protection doors
- Can be used for left and right handed doors
- Axis height-adjustable up to 14 mm
- Thermodynamic valves for consistent performance
- For heavy door applications
- Closing speed, latching speed and backcheck adjustable via front facing regulating valves
- Variable adjustable closing force
- Opening angle up to 180°
- Standard colours: silver EV1; white, similar to RAL9016; brown, similar to RAL8014; black, similar to RAL9005
- Customised finishes available on request



CE	Abloy Oy, PO Box 108 80101 Joensuu Finland		16	4 8 7 1 3			
				DC247	EN1154:1996/A1:2002/AC:2006	4	8
DC347	1121-CPR-AD5242	Dangerous substances: None					



# DC347

## Technical attributes

Technical attributes	
Door width up to	1600 mm
Closing force	EN5-7
Handing	Left / right handed
Closing speed	Variable between 180°-0°
Latching speed	Variable between 15°-0°
Backcheck	Variable above 75°
Weight	2.2 kg
Height	69 mm
Depth	64.5 mm
Length	306 mm
Suitable for fire doors	Yes
Certified in compliance with	EN1154
CE marking for building products	Yes

### The advantages at a glance

Customer segment	Advantages
Project planners	<ul style="list-style-type: none"> <li>- For heavy doors, fire and smoke protection doors as well as standard doors</li> <li>- Modern design</li> <li>- Compact design</li> <li>- Same dimensions and design with and without mounting plate</li> </ul>
Builders	<ul style="list-style-type: none"> <li>- Quick and easy installation</li> <li>- Quickly and easily adjustable</li> <li>- Suitable for left and right handed doors, in both door and frame mounted applications</li> </ul>
Trade	<ul style="list-style-type: none"> <li>- One single product suitable for a large variety of mounting positions</li> <li>- Complimentary accessories available</li> </ul>
User	<ul style="list-style-type: none"> <li>- Largely unaffected by temperature fluctuations thanks to thermodynamic valves</li> <li>- Enough closing force for all type of heavy doors</li> <li>- Backcheck feature offers optimum protection for doors and walls</li> </ul>

### Specifications for DC347

ASSAABLOY Door Closer DC347 featuring rack and pinion technology in compliance with EN1154

- Closing power variable adjustable, EN size 5 - 7, for doors up to 1,600 mm wide
- Closing speed, latching speed and backcheck adjustable via front facing regulating valves
- Can be used with integrated concealed mounting plate, suitable for fire and smoke protection doors
- CE approved
- 14 mm height adjustable arm system for ease of fitting
- Suitable for left and right handed doors

### Accessories:

- Link arm L197
- Mounting plate A126
- Angle bracket A107

### Colour:

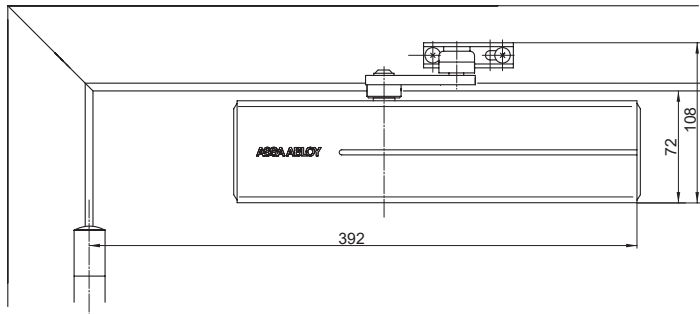
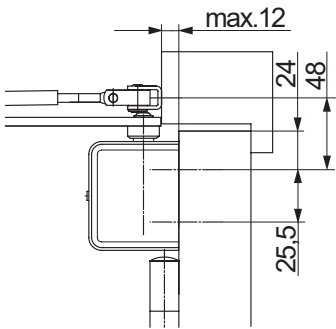
- Silver EV1
- White, similar to RAL9016
- Brown, similar to RAL8014
- Black, similar to RAL9005
- Customised finish

You can find the complete specification on the internet at: [www.assaabloy.de](http://www.assaabloy.de)

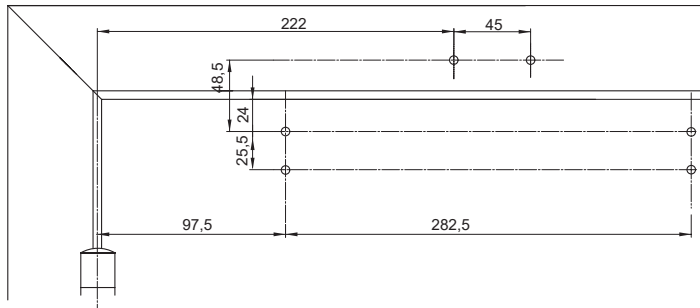
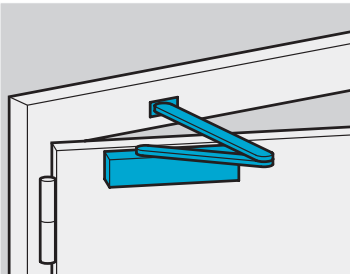
Our service for you: here you can see the individual advantages of our door closer models for your respective field of business.

# DC347

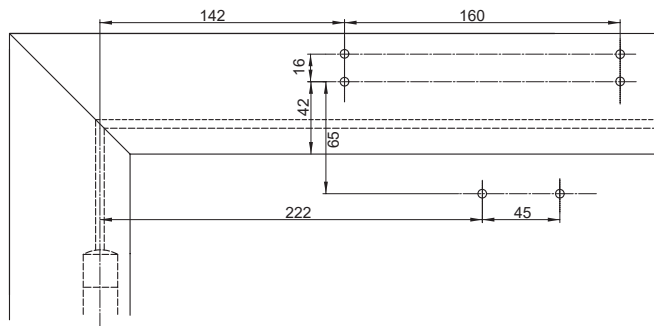
## Dimensional drawings



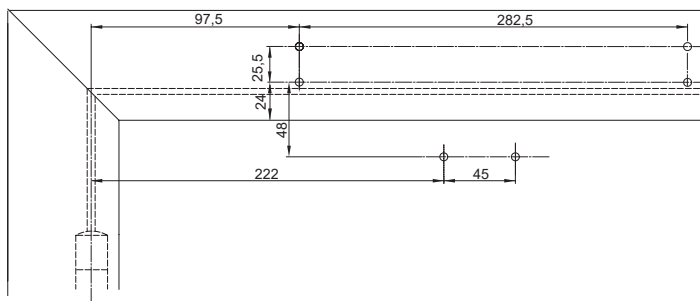
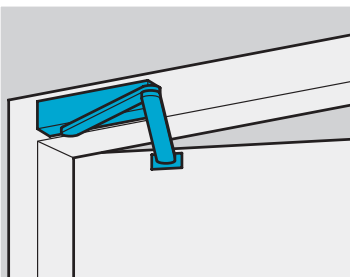
**Regular door mounting**  
Left handed door shown in diagram



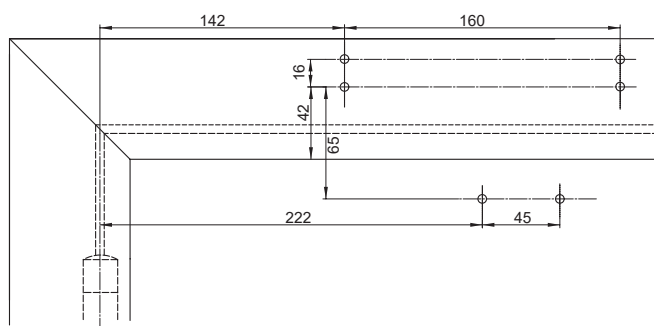
**Installation dimension for direct mounting**  
Left handed shown in diagram  
Right handed is the reverse



**Installation dimensions with mounting plate**  
In compliance with EN 1154, Supplement 1, or for doors where direct mounting is not possible.  
Right handed door shown in diagram  
Left handed door is the reverse



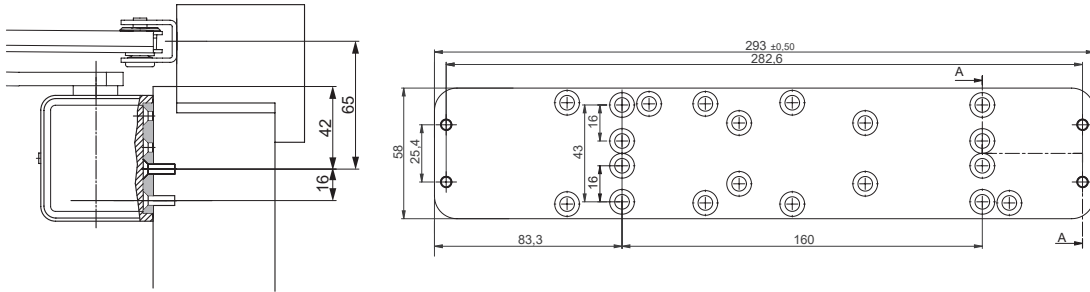
**Framemounting**  
Closer on non-hinge side of door frame  
Right handed door shown in diagram  
Left handed door is the reverse



**Installation dimensions with mounting plate for frame mounting**  
Closer on non-hinge side of door frame. For doors where direct mounting is not possible.  
Right handed door shown in diagram  
Left handed door is the reverse

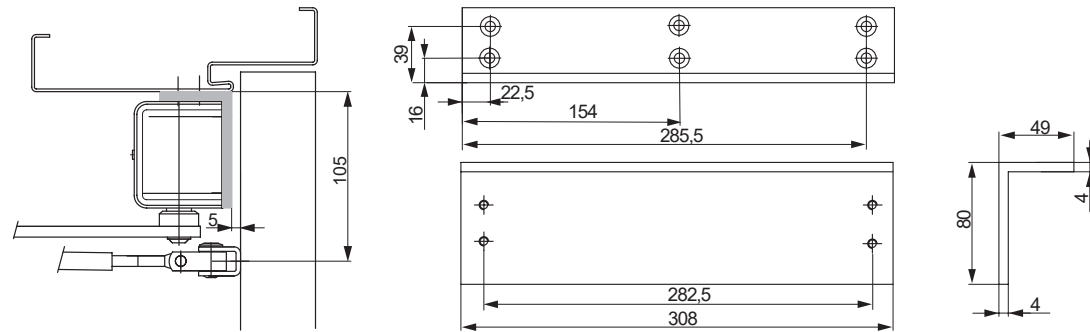
# DC347

## Accessories and order placement information



### Mounting plate A126

For mounting with drilling template acc. to EN 1154 Supplement 1 (fire and smoke protection doors) and for universal use



### Angle bracket A107

For frame mounting in case of deep jamb, head-room reduced by 80 mm. Check suitability for use on fire and smoke protection doors.

### Stainless steel full cover

For DC340 and DC347

### Stainless steel design cover

For DC340 and DC347

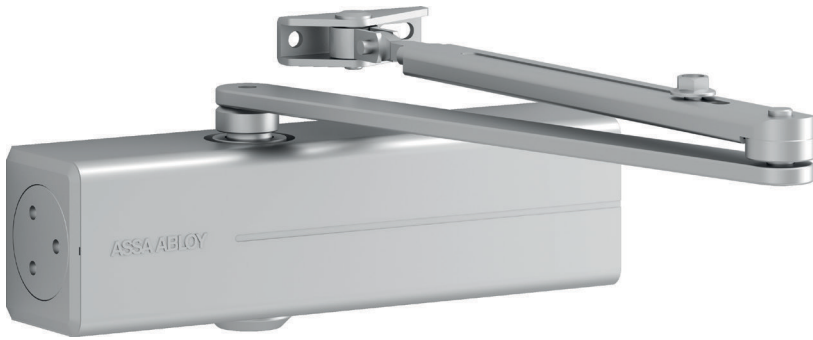


Designation/ Item	Order no.
DC347, ENsize 5-7, silver EV1	<b>DC347-----DEV1-</b>
DC347, ENsize 5-7, white, similar to RAL9016	<b>DC347-----D9016</b>
DC347, ENsize 5-7, brown, similar to RAL8014	<b>DC347-----D8014</b>
DC347, ENsize 5-7, black, similar to RAL9005	<b>DC347-----D9005</b>
DC347, ENsize 5-7, stainless steel ASSAABLOY design	<b>DC347-----D35--</b>
DC347, ENsize 5-7, stainless steel full cover	<b>DC347-1---D35--</b>
DC347, ENsize 5-7, customised finish	<b>DC347-----DXXXX</b>
Link arm L197, silver EV1	<b>DCL197-----EV1-</b>

Designation/ Item	Order no.
Link arm L197, white, similar to RAL9016	<b>DCL197-----9016</b>
Link arm L197, brown, similar to RAL8014	<b>DCL197-----8014</b>
Link arm L197, black, similar to RAL9005	<b>DCL197-----9005</b>
Link arm L197, stainless steel	<b>DCL197-----35--</b>
Link arm L197, customised finish	<b>DCL197-----XXXX</b>
Angle bracket A107, silver EV1	<b>DCA107-----EV1-</b>
Angle bracket A107, customised finish	<b>DCA107-----XXXX</b>
Mounting plate A126, galvanised	<b>DCA126-----40</b>

# DC200

## Rack and pinion door closer with link arm



### ASSA ABLOY DC200

- Rack and pinion door closer with link arm L190
- Certified in compliance with EN1154, size 2-4
- Suitable for fire and smoke protection doors
- For single action doors up to 1100 mm wide

### Characteristics of DC200

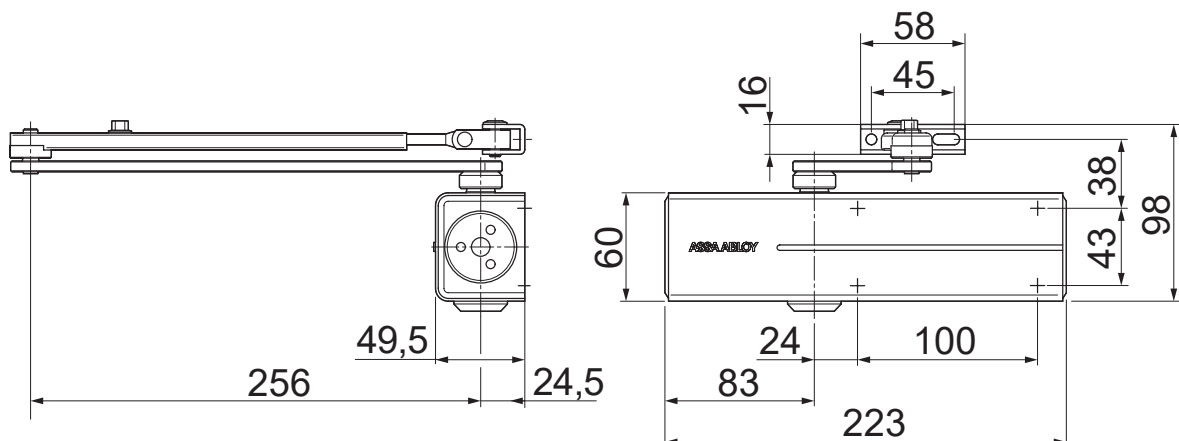
- Can be used for left and right-handed doors
- Can be used with integrated concealed mounting plate, suitable for fire and smoke protection doors
- Axis height-adjustable up to 14 mm
- Closing speed, latching speed and backcheck adjustable via front facing regulating valves
- Thermodynamic valves for consistent performance
- Variable adjustable closing force
- Opening angle up to 180°
- Effective backcheck and latching speed range adjustable
- Large range of applications
- Standard colours: silver EV1; white, similar to RAL9016; brown, similar to RAL8014; black, similar to RAL9005
- Customised finishes available on request



CE	ASSA ABLOY Sicherheitstechnik GmbH Bildstockstraße 20 72458 Albstadt	16	4	8	4	2	1	4
	DC200							

### Characteristics of hold open link arm L191

- Hold-open angle adjustable up to 150°
- Hold-open mode can be enabled and disabled as required
- Same installation as link arm
- Cannot be used with fire and smoke protection doors



# DC200

## Technical attributes

Technical attributes	
Closing force	EN24
Door width up to	1100 mm
Suitable for fire doors	Yes
Handing	Left / right handed
Closing speed	Variable between 180°-15°
Latching speed	Variable between 15°-0°
Backcheck	Variable above 75°
Hold-open mode (with hold-open link arm L191)	Adjustable 75°-150°, can be enabled and disabled
Weight	1.6 kg
Height	60 mm
Depth	50 mm
Length	223 mm
Certified in compliance with	EN1154
CE marking for building products	Yes

### The advantages at a glance

Customer segment	Advantages
Project planners	<ul style="list-style-type: none"> <li>- Extensive range of uses: Fire and smoke protection doors as well as standard doors</li> <li>- Modern design</li> <li>- Compact design</li> <li>- Fulfills barrier-free building requirements</li> <li>- Same dimensions and design with and without mounting plate</li> </ul>
Builders	<ul style="list-style-type: none"> <li>- One drilling template overall</li> <li>- Adjustable to nearly all door and frame types</li> <li>- Quick and easy installation</li> <li>- Quickly and easily adjustable</li> <li>- Suitable for left and right handed doors, in both door and frame mounted applications</li> </ul>
Trade	<ul style="list-style-type: none"> <li>- Reduced inventory costs due to modular product range</li> <li>- One single product suitable for a large variety of mounting positions</li> <li>- Complementary accessories available for the whole product range</li> </ul>
User	<ul style="list-style-type: none"> <li>- Largely unaffected by temperature fluctuations thanks to thermodynamic valves</li> <li>- Easier door opening and improved accessibility due to rapidly decreasing torque</li> <li>- Backcheck feature offers optimum protection for doors and walls</li> </ul>

### Specifications for DC200

ASSAABLOY Door Closer DC200 featuring rack and pinion technology in compliance with EN1154

- Closing power variable adjustable, EN size 2-4, for doors up to 1100 mm wide
- Closing speed, latching speed and backcheck adjustable via front facing regulating valves
- Can be used with integrated concealed mounting plate, suitable for fire and smoke protection doors
- CE approved
- 14 mm height adjustable arm system for ease of fitting
- Suitable for left and right handed doors

#### Accessories:

- Link arm L190
- Hold-open link arm L191 (Cannot be used with fire and smoke protection doors)
- Mounting plate A120
- Angle bracket A122
- Parallel arm bracket for parallel arm mounting A154
- Glassdoor shoe A164
- Full stainless steel cover A172

#### Colour:

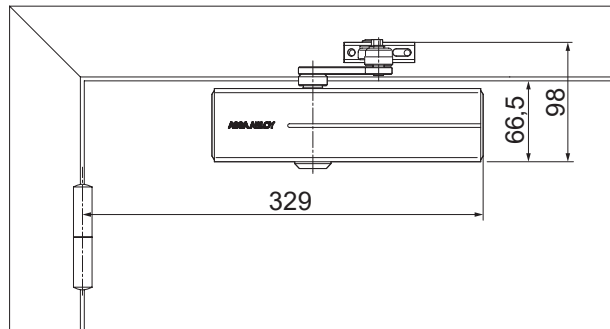
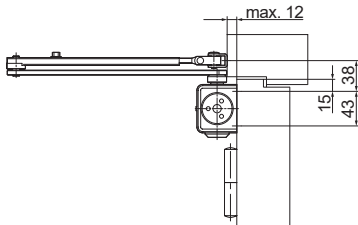
- Silver EV1
- White, similar to RAL9016
- Brown, similar to RAL8014
- Black, similar to RAL9005
- Customised finish

You can find the complete specification on the internet at: [www.assaabloy.de](http://www.assaabloy.de)



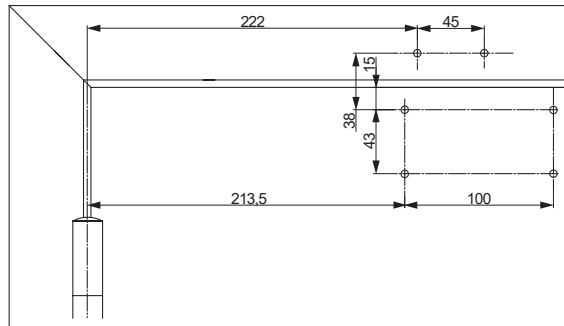
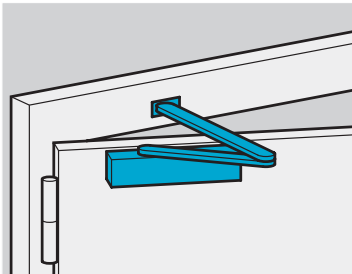
# DC200

## Dimensional drawings



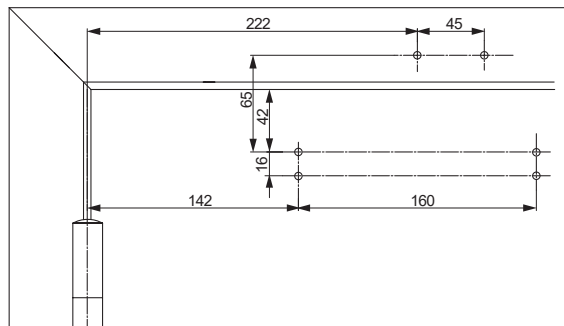
### Required space on doors

Left handed shown in diagram  
Right handed is the reverse



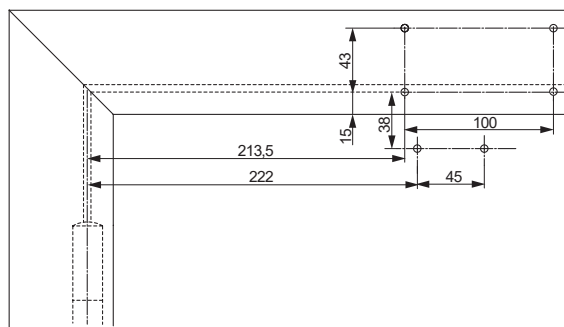
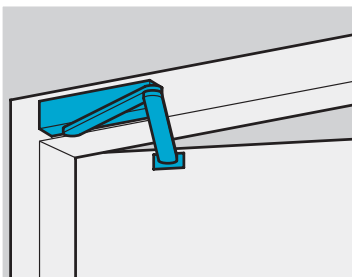
### Installation dimensions for direct mounting

Left handed shown in diagram  
Right handed is the reverse



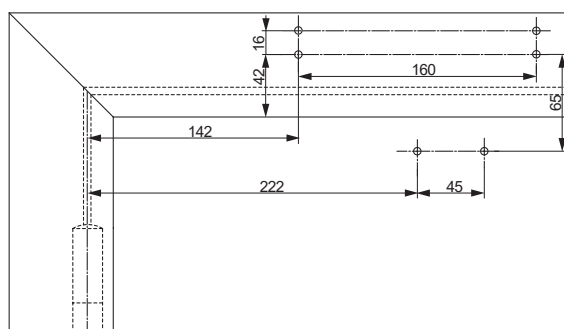
### Installation dimensions with mounting plate

In compliance with EN 1154, Supplement 1, or for doors where direct mounting is not possible.  
Left handed shown in diagram  
Right handed is the reverse



### Framemounting

Closer on non-hinge side of door frame  
Right handed door shown in diagram  
Left handed door is the reverse

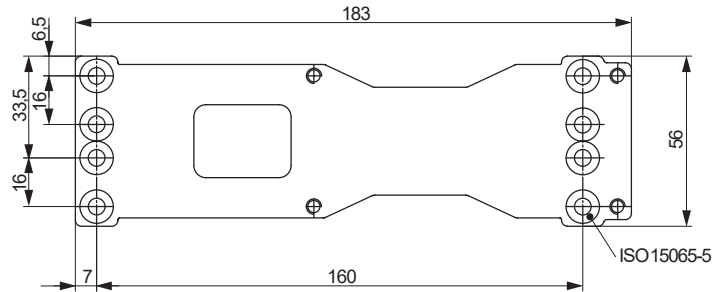
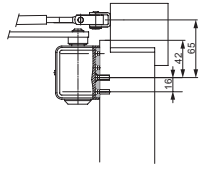


### Installation dimensions with mounting plate for frame mounting

Closer on non-hinge side of door frame. For doors where direct mounting is not possible.  
Right handed door shown in diagram  
Left handed door is the reverse

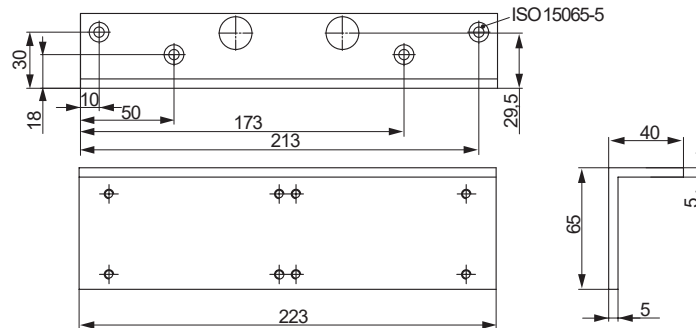
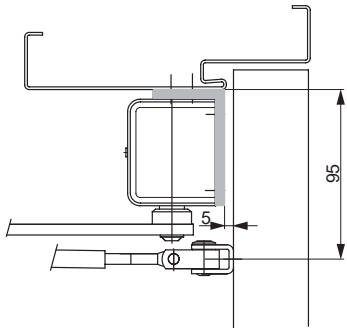
# DC200

## Accessories



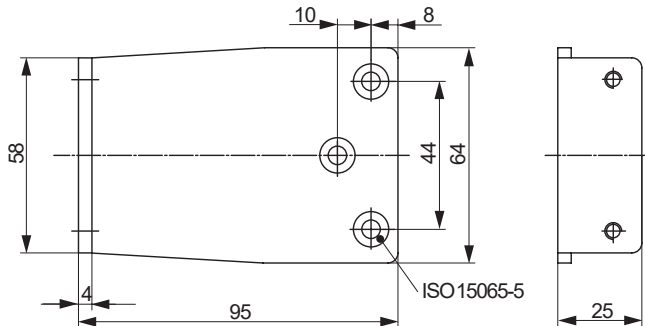
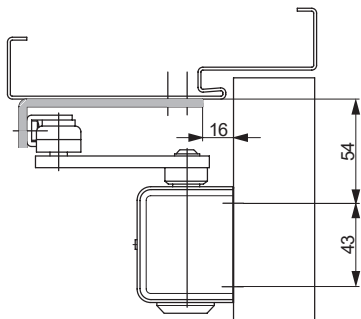
### Mounting plate A120

For mounting with drilling template acc. to EN 1154 Supplement 1 (fire and smoke protection doors) and for universal use



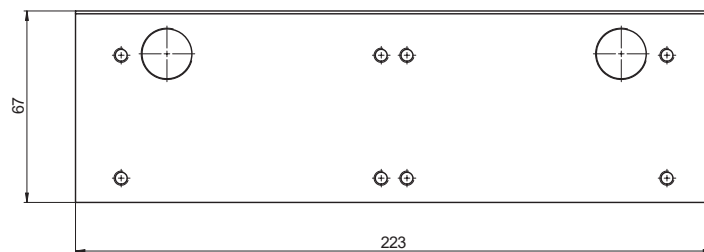
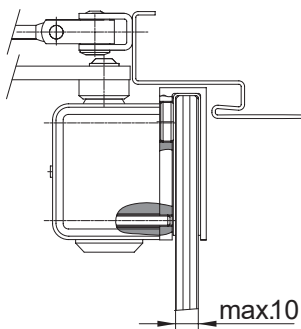
### Angle bracket A122

For frame mounting in case of deep jamb, head-room reduced by 70 mm. Checksuitability for use on fire and smoke protection doors.



### Parallel arm bracket A154

For Parallel Arm installation. Checksuitability for use on fire and smoke protection doors.



### Glassdoor shoe A164

For mounting the door closer on the all-glass door leaf.

### Stainlesssteel full cover

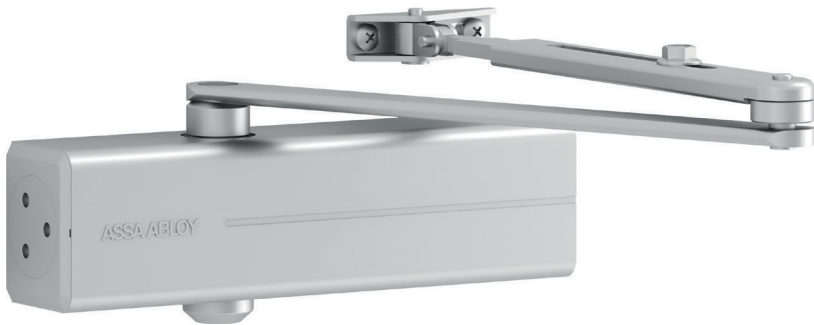


## Order placement information

Designation/ Item	Order no.	Designation/ Item	Order no.
DC200, ENsize 2-4, silver EV1	DC200-----DEV1-	Mounting plate A120,galvanise	DCA120-----40
DC200, ENsize 2-4, white, similar to RAL9016	DC200-----D9016	Angle bracket A122, silver EV1	DCA122-----EV1-
DC200, ENsize 2-4, brown, similar to RAL8014	DC200-----D8014	Angle bracket A122, white, similar to RAL9016	DCA122-----9016
DC200, ENsize 2-4, black, similar to RAL9005	DC200-----D9005	Angle bracket A122,brown,similar to RAL8014	DCA122-----8014
DC200, ENsize 2-4, customised finish	DC200-----DXXXX	Angle bracket A122, black, similar to RAL9005	DCA122-----9005
Link arm L190, silver EV1	DCL190-----EV1-	Angle bracket A122, customised finish	DCA122-----XXXX
Link arm L190, white, similar to RAL9016	DCL190-----9016	Parallel arm bracket A154, silver EV1	DCA154-----EV1-
Link arm L190, brown, similar to RAL8014	DCL190-----8014	Parallelarm bracket A154,white,similar to RAL9016	DCA154-----9016
Link arm L190,black, similar to RAL9005	DCL190-----9005	Parallelarm bracket A154,brown,similar to RAL8014	DCA154-----8014
Link arm L190, stainlesssteel	DCL190-----35--	Parallelarm bracket A154, black, similar to RAL9005	DCA154-----9005
Link arm L190, customised finish	DCL190-----XXXX	Parallel arm bracket A154, stainlesssteel	DCA154-----35--
Hold-open link arm L191, silver EV1 (Cannot be used with fire and smoke protection doors)	DCL191-----EV1-	Parallelarm bracket A154, customised finish	DCA154-----XXXX
Hold-open link arm L191, white, similar to RAL9016 (Cannot be used with fire and smoke protection doors)	DCL191-----9016	Glassdoor shoe A164, silver EV1	DCA164-----EV1-
Hold-open link arm L191, brown, similar to RAL8014 (Cannot be used with fire and smoke protection doors)	DCL191-----8014	Mounting plate A168, for link arm, silver EV1	DCA168-----EV1-
Hold-open link arm L191, black, similar to RAL9005 (Cannot be used with fire and smoke protection doors)	DCL191-----9005	Full stainlesssteel cover A172	DCA172-----35--
Hold-open link arm L191, customised finish (Cannot be used with fire and smoke protection doors)	DCL191-----XXXX		

# DC140

## Rack and pinion door closer with link arm



### ASSA ABLOY DC140

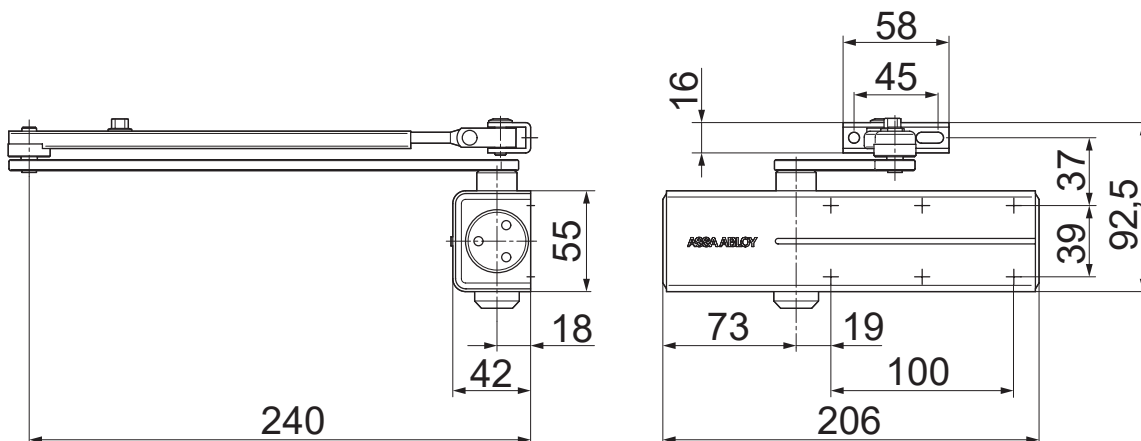
- Rack and pinion door closer with link arm
- Certified in compliance with EN1154, size 2/3/4/5
- For single action doors up to 1250 mm wide

### Characteristics of DC140

- Suitable for fire and smoke protection doors
- Can be used for left and right-handed doors
- Thermodynamic valves for consistent performance
- Closing speed, latching speed and backcheck adjustable via front facing regulating valves
- Closing force configurable
- Opening angle up to 180° (EN5 = 125°)
- Standard colours: silver EV1; white, similar to RAL9016; brown, similar to RAL8014; black, similar to RAL9005



CE	ASSA ABLOY Sicherheits-technik GmbH Bildstockstraße 20 72458 Albstadt		16
	EN1154:1996/A1:2002/AC:2006-02 1121-CPR-AD5248		
DC140	Dangerous substances: None		



# DC140

## Technical attributes

Technical attributes	
Door width up to	1250 mm
Closing force	EN2/3/4/5
Suitable for fire doors	Yes
Handing	Left / right handed
Closing speed	Variable between 180°-15° / EN5= 125°-15°
Latching speed	Variable between 15°-0°
Backcheck	Variable above 75°
Weight	1.75 kg
Height	55 mm
Depth	43 mm
Length	206 mm
Certified in compliance with	EN1154
CE marking for building products	Yes

### The advantages at a glance

Customer segment	Advantages
Project planners	- Compact design - Modern design - Favourably priced, reliable closer model
Builders	- Quick and easy installation - Can be used for left and right-handed doors - Easy to adjust
Trade	- Inexpensive closer model for standard doors - All-inclusive package with door closer and link arm
User	- Largely unaffected by temperature fluctuations thanks to thermodynamic valves - Backcheck feature offers optimum protection for doors and walls

Our service for you: here you can see the individual advantages of our door closer models for your respective field of business.

You can find the complete specification on the internet at: [www.assaabloy.de](http://www.assaabloy.de)

### Specifications for DC140

- ASSAABLOY Door Closer DC140 featuring rack and pinion technology in compliance with EN1154
- Closing force configurable, EN size 2/3/4/5, for doors up to 1250 mm wide
  - Closing speed, latching speed and backcheck continuously adjustable
  - Suitable for fire and smoke protection doors
  - CE approved
  - Suitable for left and right handed doors

### Accessories:

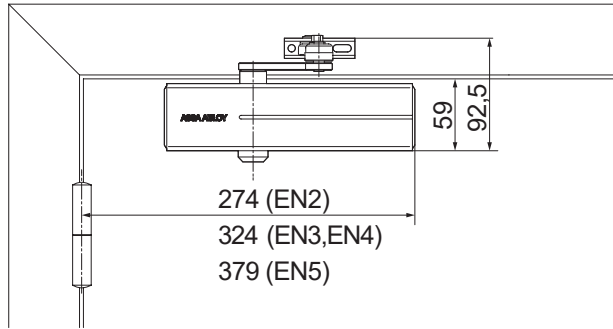
- Link arm L140
- Hold-open link arm L141 (not for fire and smoke protection doors)
- Guide rail G143 (not for fire and smoke protection doors)
- Parallel arm bracket A154
- Mounting Plate A161

### Colour:

- Silver EV1
- White, similar to RAL9016
- Brown, similar to RAL8014
- Black, similar to RAL9005

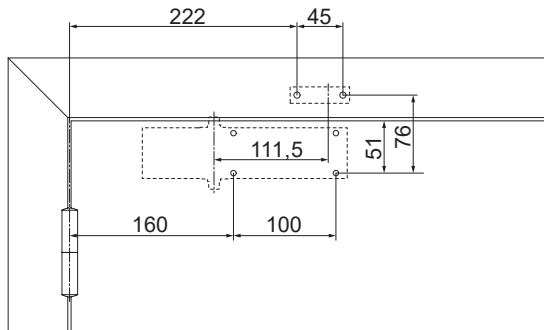
# DC140

## Dimensional drawings



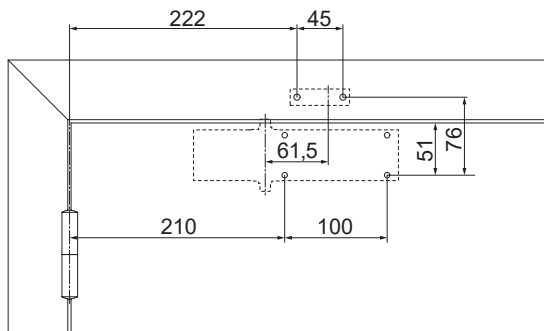
### Required space on doors

Left handed shown in diagram  
Right handed is the reverse



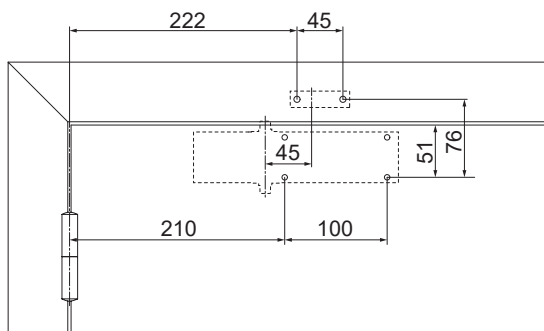
### Installation dimensions

Installation dimensions  
EN2



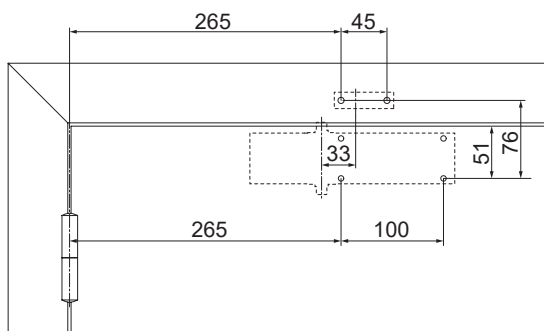
### Installation dimensions

Installation dimensions  
EN3



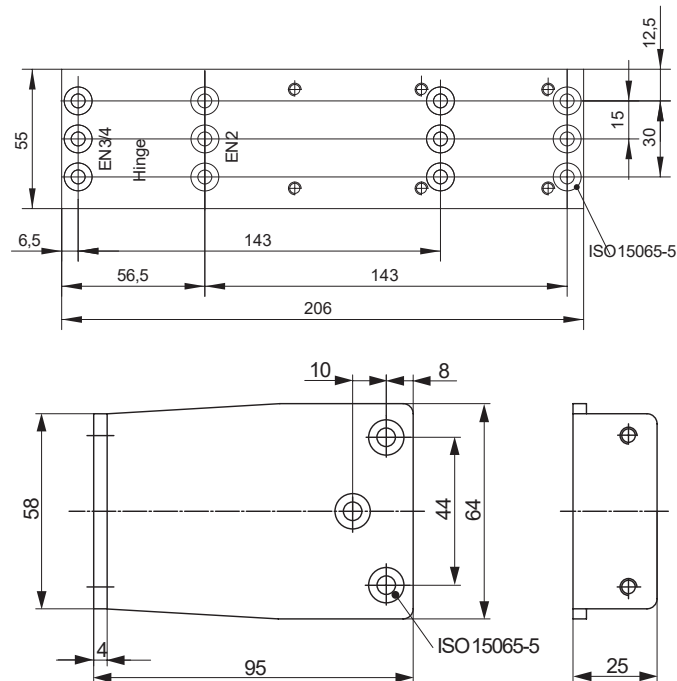
### Installation dimensions

Installation dimensions  
EN4



### Installation dimensions

Installation dimensions  
EN5



Mounting Plate A161

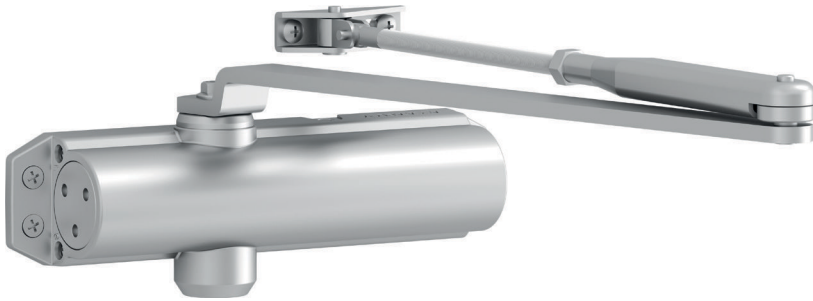
Parallel arm bracket A154

For Parallel Arm installation. Check suitability for use on fire and smoke protection doors.

Designation/ Item	Order no.	Designation/ Item	Order no.
DC140 ENsize 2/3/4/5, silver EV1	DC140-----DEV1-	Hold-open link arm L141, black, similar to RAL9005 (Cannot be used with fire and smoke protection doors)	DCL141-----9005
DC140 ENsize 2/3/4/5, white, similar to RAL9016	DC140-----D9016	Parallel arm bracket A154, silver EV1	DCA154-----EV1-
DC140 ENsize 2/3/4/5, brown, similar to RAL8014	DC140-----D8014	Parallel arm bracket A154, white, similar to RAL9016	DCA154-----9016
DC140 ENsize 2/3/4/5, black, similar to RAL9005	DC140-----D9005	Parallel arm bracket A154, brown, similar to RAL8014	DCA154-----8014
DC140 body ENsize 2/3/4/5, silver EV1	DC140-0---DEV1-	Parallel arm bracket A154, black, similar to RAL9005	DCA154-----9005
DC140 body ENsize 2/3/4/5, white, similar to RAL9016	DC140-0---D9016	Guide rail G143 (not for fire and smoke protection doors), silver EV1	DCG143-----EV1-
DC140 body ENsize 2/3/4/5, brown, similar to RAL8014	DC140-0---D8014	Guide rail G143 (not for fire and smoke protection doors), white, similar to RAL9016	DCG143-----9016
DC140 body ENsize 2/3/4/5, black, similar to RAL9005	DC140-0---D9005	Guide rail G143 (not for fire and smoke protection doors), black, similar to RAL9005	DCG143-----9005
Link arm L140, silver EV1	DCL140-----EV1-	Mounting Plate A161, silver EV1	DCA161-----EV1-
Link arm L140, white, similar to RAL9016	DCL140-----9016	Mounting Plate A161, white, similar to RAL9016	DCA161-----9016
Link arm L140, brown, similar to RAL8014	DCL140-----8014	Mounting Plate A161, brown, similar to RAL8014	DCA161-----8014
Link arm L140, black, similar to RAL9005	DCL140-----9005	Mounting Plate A161, black, similar to RAL9005	DCA161-----9005
Hold-open link arm L141, silver EV1 (Cannot be used with fire and smoke protection doors)	DCL141-----EV1-	Mounting plate A168, for link arm, silver EV1	DCA168-----EV1-
Hold-open link arm L141, white, similar to RAL9016 (Cannot be used with fire and smoke protection doors)	DCL141-----9016		
Hold-open link arm L141, brown, similar to RAL8014 (Cannot be used with fire and smoke protection doors)	DCL141-----8014		

# DC120

## Rack and pinion door closer with link arm



### ASSA ABLOY DC120

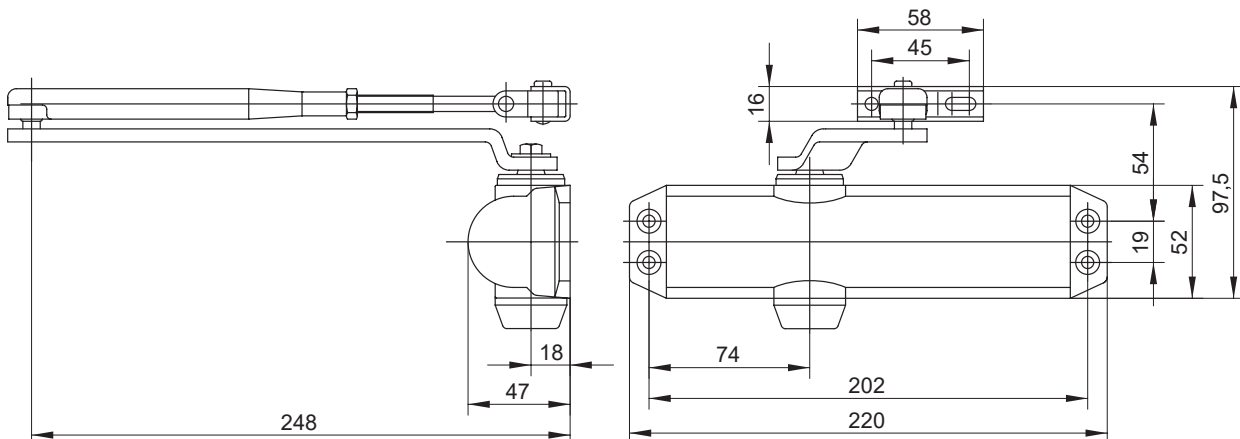
- Rack and pinion door closer with link arm
- Certified in compliance with EN1154, size 2/3/4
- For single action doors up to 1100 mm wide

### Characteristic DC120

- Can be used for left and right-handed doors
- Suitable for fire and smoke protection doors
- Closing speed, latching speed and backcheck continuously adjustable using regulating valves
- Thermodynamic valves for consistent performance
- Closing force configurable
- Opening angle up to 180° (105° in mounting position on EN size 4)
- Standard colours: silver EV1; white, similar to RAL9016; brown, similar to RAL8014; black, similar to RAL9005



CE	ASSA ABLOY Sicherheitstechnik GmbH Bildstockstraße 20 72458 Albstadt		16
	DC120 EN1154:1996/A1:2002/AC:2006-02 1121-CPR-AD5249		
Dangerous substances: None			





# DC120

## Technical attributes

Technical attributes	
Door width up to	1100 mm
Closing force	EN2/3/4
Suitable for fire doors	Yes
Handing	Left / right handed
Closing speed	Variable between 180°-15°
Latching speed	Variable between 15°-0°
Backcheck	Variable above 75°
Weight	1.6 kg
Height	52 mm
Depth	47 mm
Length	220 mm
Certified in compliance with	EN1154
CE marking for building products	Yes

### The advantages at a glance

Customer segment	Advantages
Project planners	- Compact design - Favourably priced, reliable closer model
Builders	- Quick and easy installation - Suitable for left and right handed doors - Easy to adjust
Trade	- Inexpensive closer model for standard doors - All-inclusive package with door closer and link arm
User	- Largely unaffected by temperature fluctuations thanks to thermodynamic valves - Backcheck feature offers optimum protection for doors and walls

Our service for you: here you can see the individual advantages of our door closer models for your respective field of business.

You can find the complete specification on the internet at: [www.assaabloy.de](http://www.assaabloy.de)

### Specifications for DC120

ASSAABLOY Door Closer DC120 featuring rack and pinion technology in compliance with EN1154

- Closing force configurable, EN size 2/3/4, for doors up to 950 mm (1100 mm) wide
- Closing speed, latching speed and backcheck continuously adjustable
- Suitable for fire and smoke protection doors
- CE approved
- Suitable for left and right handed doors

### Accessories:

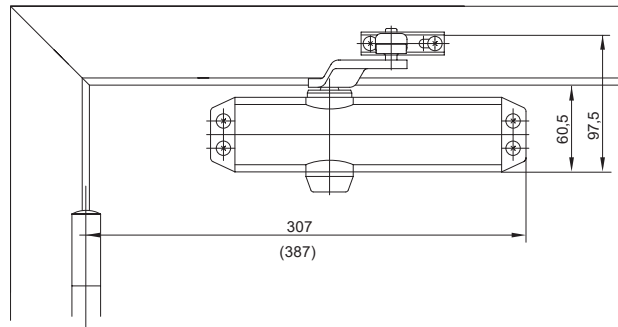
- Hold-open link arm L141 (Cannot be used with fire and smoke protection doors)
- Parallel arm bracket A154
- Cover A120CC

### Colour:

- Silver EV1
- White, similar to RAL9016
- Black, similar to RAL9005

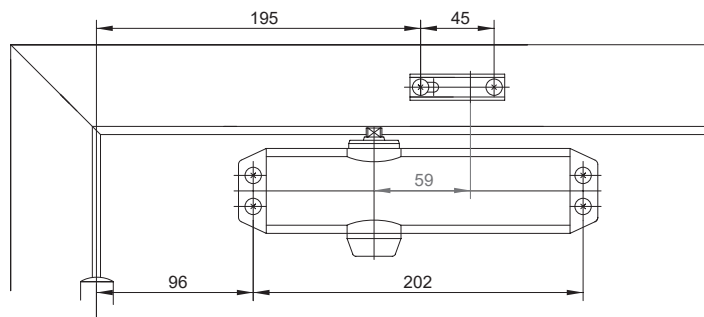
# DC120

## Dimensional drawings



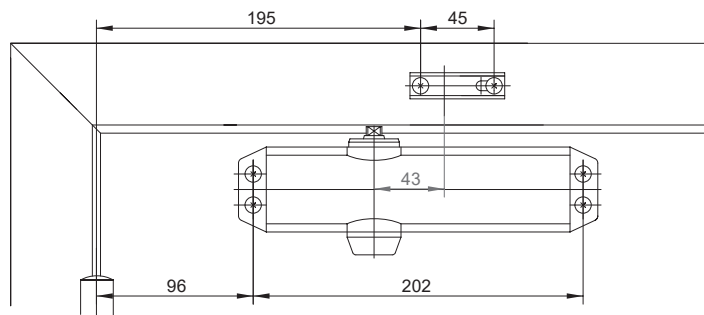
### Required spaceon doors

Left handed shown in diagram  
Right handed is the reverse



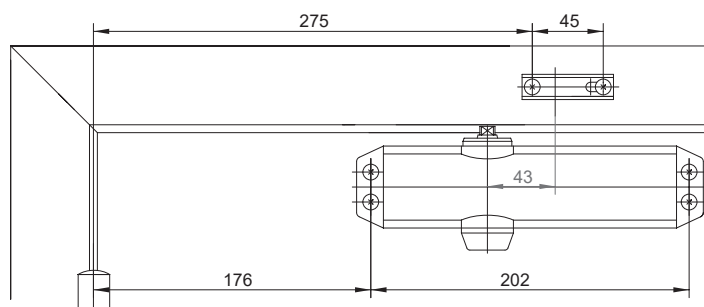
### Installation dimensions

Installation dimensions  
EN2



### Installation dimensions

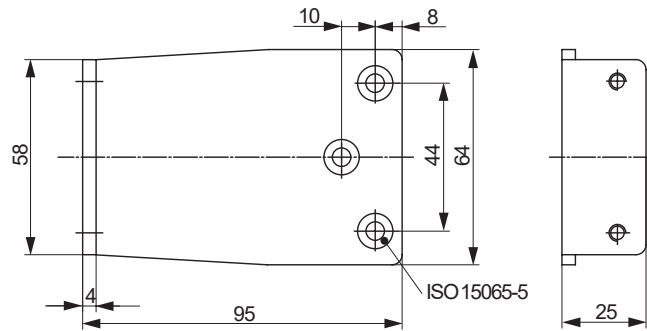
Installation dimensions  
EN3



### Installation dimensions

Installation dimensions  
EN4

## Accessories and order placement information



### Parallel arm bracket A154

For Parallel Arm installation.  
Check suitability for use on fire and smoke protection doors.

### Cover A120C

Painted plastic cover for DC120 body, fixed by clip on and reversible logo tag.



Designation/ Item	Order no.	Designation/ Item	Order no.
DC120 with link arm, EN size 2/3/4, silver EV1	<b>DC120-----EV1-</b>	Hold-open link arm L141, silver EV1 (Cannot be used with fire and smoke protection doors)	<b>DCL141-----EV1-</b>
DC120 with link arm, EN size 2/3/4, white, similar to RAL9016	<b>DC120-----9016</b>	Hold-open link arm L141, white, similar to RAL9016 (Cannot be used with fire and smoke protection doors)	<b>DCL141-----9016</b>
DC120 with link arm, EN size 2/3/4, brown, similar to RAL8014	<b>DC120-----8014</b>	Hold-open link arm L141, brown, similar to RAL8014 (Cannot be used with fire and smoke protection doors)	<b>DCL141-----8014</b>
DC120 with link arm, EN size 2/3/4, black, similar to RAL9005	<b>DC120-----9005</b>	Hold-open link arm L141, black, similar to RAL9005 (Cannot be used with fire and smoke protection doors)	<b>DCL141-----9005</b>
Mounting plate A168, for link arm, silver EV1	<b>DCA168-----EV1-</b>	Cover A120C, silver EV1	<b>DCA120C-----EV1-</b>
Parallel arm bracket A154, silver EV1	<b>DCA154-----EV1-</b>	Cover A120C, white similar to RAL9016	<b>DCA120C-----9016</b>
Parallel arm bracket A154, white, similar to RAL9016	<b>DCA154-----9016</b>	Cover A120C, black similar to RAL9005	<b>DCA120C-----9005</b>
Parallel arm bracket A154, brown, similar to RAL8014	<b>DCA154-----8014</b>	Cover A120C, customised finish on demand	<b>DCA120C-----XXXX</b>
Parallel arm bracket A154, black, similar to RAL9005	<b>DCA154-----9005</b>		

# DC340

## Rack and pinion closer with guide rail or link arm



### ASSA ABLOY DC340

- Rack and pinion door closer with height-adjustable link arm L190 or guide rail G195/G193
- Certified in compliance with EN1154, size 2-6 with link arm and size 2-4 with guide rail
- Delayed action variant DC340DA certified in compliance with EN1154, size 2-6 with link arm and size 2-4 with guide rail
- Suitable for fire and smoke protection doors
- For single action doors up to 1100 mm wide (guide rail) and 1400 mm (link arm)

### Characteristics of DC340

- Can be used with integrated concealed mounting plate, suitable for fire and smoke protection doors
- Can be used for left and right-handed doors
- 14 mm height adjustable arm system for ease of fitting
- Closing speed, latching speed and backcheck adjustable via front facing regulating valves
- Thermodynamic valves for consistent performance
- Variable adjustable closing force
- Opening angle up to 180°
- Large range of applications
- Standard colours: silver EV1; white, similar to RAL9016; brown, similar to RAL8014; black, similar to RAL9005, stainless steel
- Customised finishes available on request

### Characteristics of guide rail G195

- Height-adjustable by 2 mm for tolerance
- Concealed fastening screws
- Installation dimensions: see diagram

### Characteristics of standard guide rail G193

- Without protective cover
- Visible fastening screws
- Installation dimensions: see diagram (dimensions in brackets)

### Characteristics of link arm L190

- Opening angle up to 180°



CE	Abloy Oy, PO Box 108 80101 Joensuu Finland	16												
1121-CPR-AD5240	EN1154:1996/A1:2002/AC:2006													
DC240DA DC340DA	<table border="1"> <tr><td>4</td><td>8</td><td>6</td><td>1</td><td>1</td><td>3</td></tr> <tr><td>4</td><td>8</td><td>4</td><td>2</td><td>1</td><td>3</td></tr> </table>	4	8	6	1	1	3	4	8	4	2	1	3	
4	8	6	1	1	3									
4	8	4	2	1	3									
Dangerous substances: None														

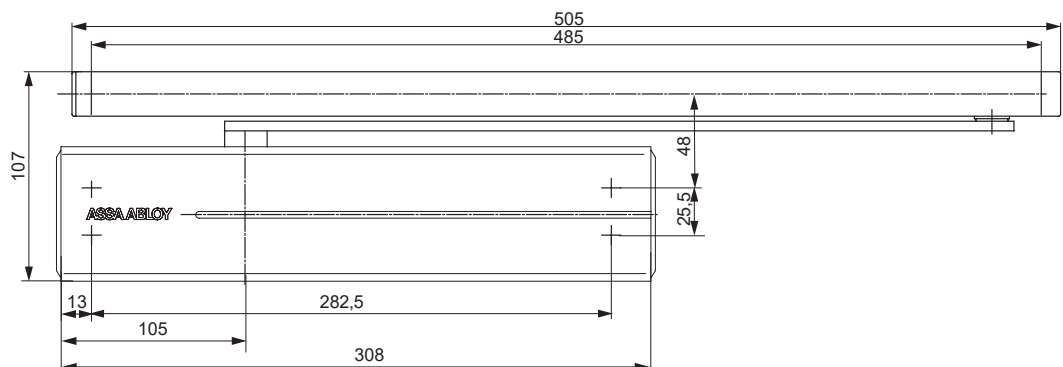
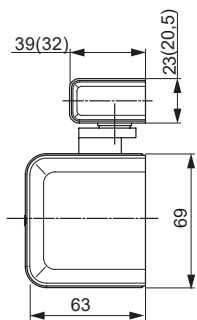
CE	Abloy Oy, PO Box 108 80101 Joensuu Finland	04												
0432-CPD-0047	EN1154:1996+A1:2002													
DC240 DC340	<table border="1"> <tr><td>4</td><td>8</td><td>6</td><td>1</td><td>1</td><td>3</td></tr> <tr><td>4</td><td>8</td><td>4</td><td>1</td><td>1</td><td>3</td></tr> </table>	4	8	6	1	1	3	4	8	4	1	1	3	
4	8	6	1	1	3									
4	8	4	1	1	3									
Dangerous substances: None														

### Characteristics of hold open link arm L191

- Hold-open angle adjustable up to 150°
- Hold-open mode can be enabled and disabled as required
- Same installation as link arm
- Cannot be used with fire and smoke protection doors
- Drawings: see drawings at DC347 with link arm

### Characteristics of special model DC300DA

- Delayed closing adjustable from front
- Other features as in model DC300



# DC340

## Technical attributes

Technical attributes	
Door width up to (guiderail / link arm)	1100 mm / 1400 mm
Closing force (guide rail / link arm)	EN1-4 / EN2-6
Suitable for fire doors	Yes
Handing	Left / right handed
Closing speed	Variable between 180°-15°
Latching speed	Variable between 15°-0°
Backcheck	Variable above 75°
Delayed action (DC340DA)	Variable 120° - 70°
Weight	2.1 kg
Height	69 mm
Depth	64.5 mm
Length	306 mm
Certified in compliance with	EN1154
CE marking for building products	Yes

### The advantages at a glance

Customer segment	Advantages
Project planners	<ul style="list-style-type: none"> <li>- Extensive range of uses: Fire and smoke protection doors as well as standard doors</li> <li>- Modern design</li> <li>- Compact design</li> <li>- Same dimensions and design with and without mounting plate</li> <li>- Comprehensive functions, standard and optional</li> </ul>
Builders	<ul style="list-style-type: none"> <li>- Adjustable to nearly all door and frame types</li> <li>- Quick and easy installation</li> <li>- Quickly and easily adjustable</li> <li>- Suitable for left and right handed doors, in both door and frame mounted applications</li> </ul>
Trade	<ul style="list-style-type: none"> <li>- One single product suitable for a large variety of mounting positions</li> <li>- Complementary accessories available for the whole product range</li> </ul>
User	<ul style="list-style-type: none"> <li>- Largely unaffected by temperature fluctuations thanks to thermodynamic valves</li> <li>- Backcheck feature offers optimum protection for doors and walls</li> </ul>

Our service for you: here you can see the individual advantages of our door closer models for your respective field of business.

You can find the complete specification on the internet at: [www.assaabloy.de](http://www.assaabloy.de)

### Specifications for DC340

ASSAABLOY Door Closer DC340 featuring rack and pinion technology in compliance with EN1154

- Closing power continuously adjustable, EN size 1-4, for doors up to 1100 mm wide
- Closing speed, latching speed and backcheck adjustable via front facing regulating valves
- Delayed action available for DC340DA
- Can be used with integrated concealed mounting plate, suitable for fire and smoke protection doors
- CE approved
- 14 mm height adjustable arm system for ease of fitting
- Suitable for left and right handed doors

### Accessories:

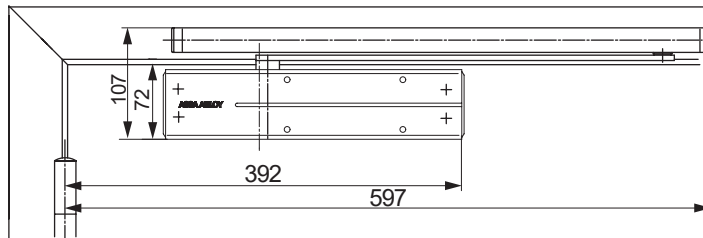
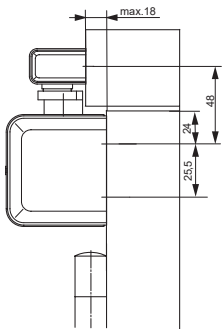
- Standard guide rail G193
- Height-adjustable guide rail G195
- Link arm L190
- Hold-open link arm L191 (Cannot be used with fire and smoke protection doors)
- Mounting plate A126
- Angle bracket A107
- Mounting plate A130 for guide rail G193 and G195
- Angle bracket A104 for guide rail G193
- Mechanical opening damper A153
- Mechanical hold-open device A152 (not for fire and smoke protection doors)

### Colour:

- Silver EV1
- White, similar to RAL9016
- Brown, similar to RAL8014
- Black, similar to RAL9005
- Stainless steel
- Customised finish

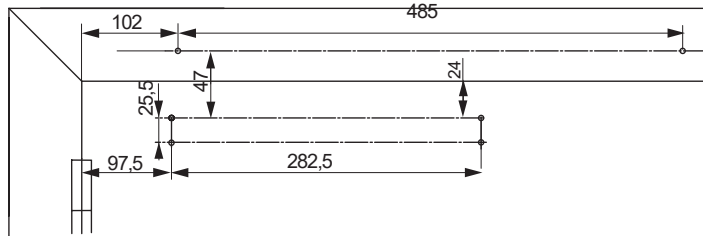
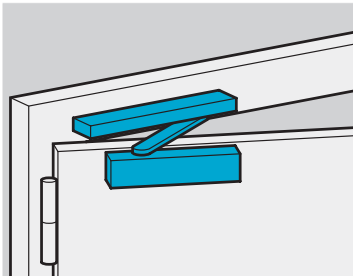
# DC340

## Dimensional drawings



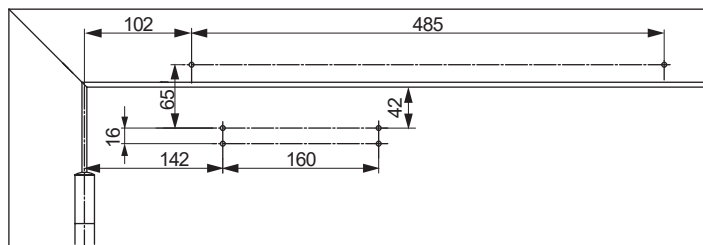
### Required space on doors

Left handed shown in diagram  
Right handed is the reverse



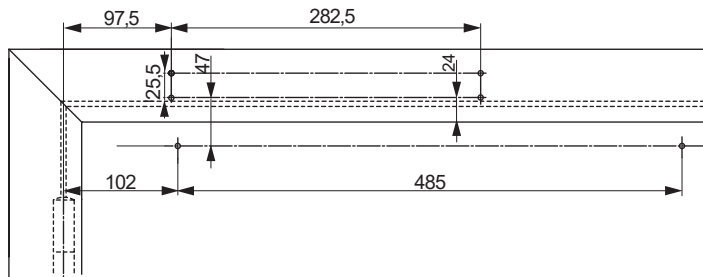
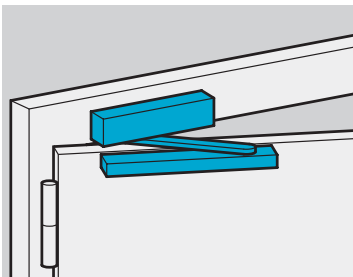
### Installation dimensions for direct mounting

Left handed shown in diagram  
Right handed is the reverse



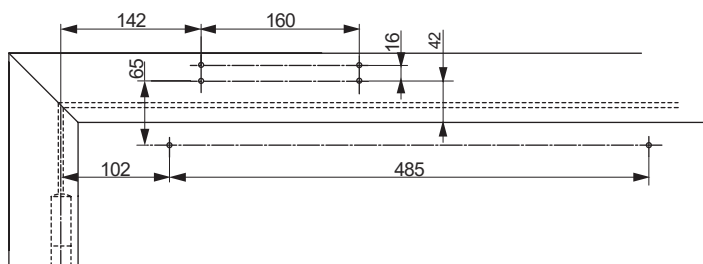
### Installation dimensions with mounting plate

In compliance with EN 1154, Supplement 1, or for doors where direct mounting is not possible.  
Left handed shown in diagram  
Right handed is the reverse



### Framemounting

Closer on hinge side of door frame.  
Left handed shown in diagram  
Right handed is the reverse

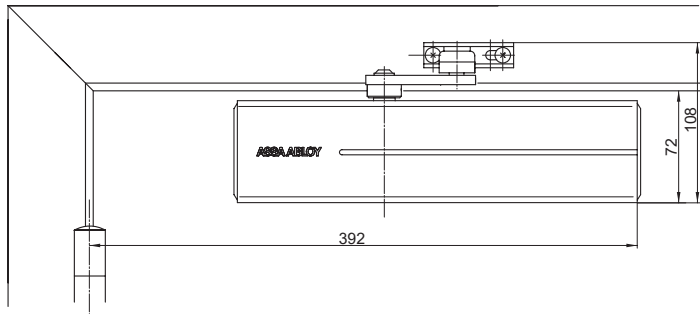
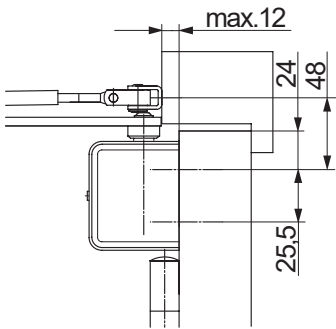


### Installation dimensions with mounting plate for frame mounting

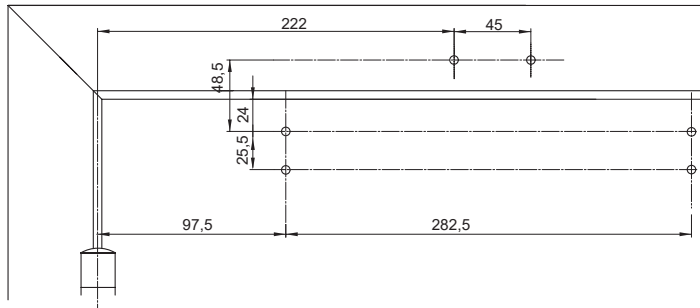
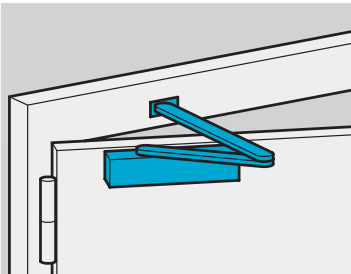
Closer on non-hinge side of door frame. For doors where direct mounting is not possible.  
Left handed shown in diagram  
Right handed is the reverse

# DC340

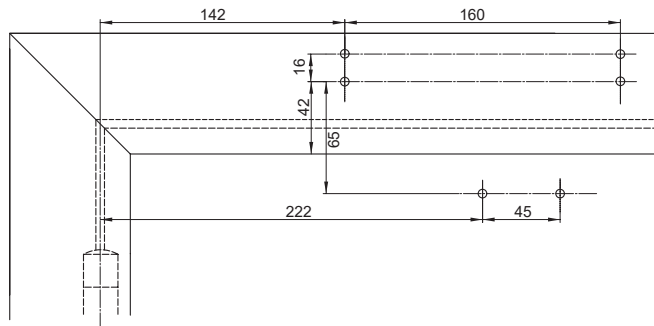
## Dimensional drawings



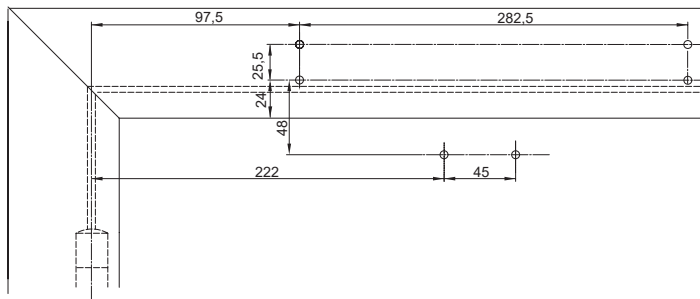
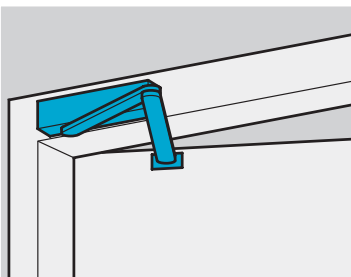
**Regular door mounting**  
 Left handed door shown in diagram  
 Right handed is the reverse



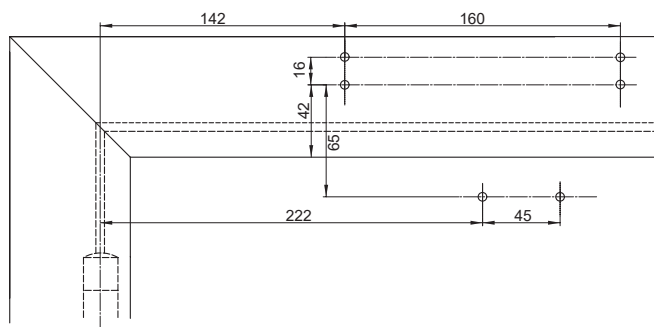
**Installation dimension for direct mounting**  
 Left handed shown in diagram  
 Right handed is the reverse



**Installation dimensions with mounting plate**  
 In compliance with EN 1154, Supplement 1, or for doors where direct mounting is not possible.  
 Right handed door shown in diagram  
 Left handed door is the reverse



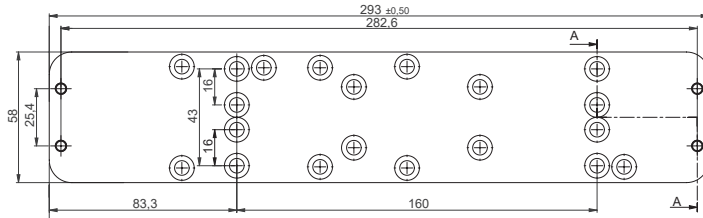
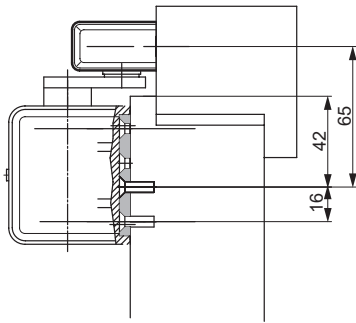
**Framemounting**  
 Closer on non-hinge side of door frame  
 Right handed door shown in diagram  
 Left handed door is the reverse



**Installation dimensions with mounting plate for frame mounting**  
 Closer on non-hinge side of door frame. For doors where direct mounting is not possible.  
 Right handed door shown in diagram  
 Left handed door is the reverse

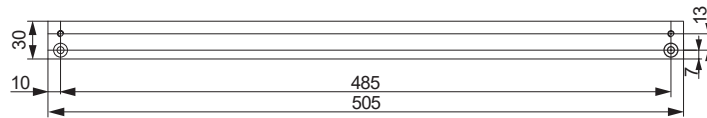
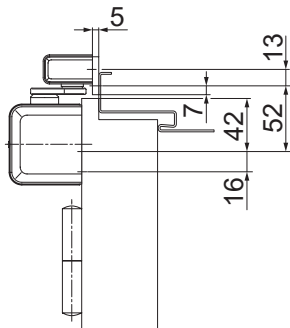
# DC340

## Accessories



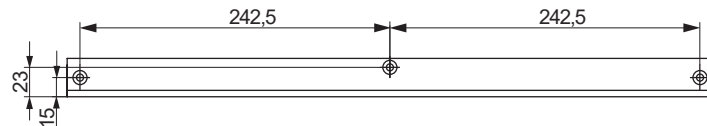
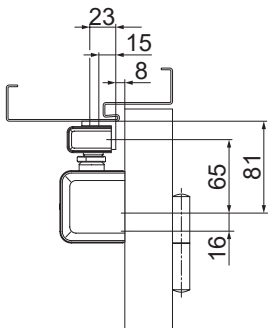
### Mounting plate A126

For mounting with drilling template acc. to EN 1154 Supplement 1 (fire and smoke protection doors) and for universal use



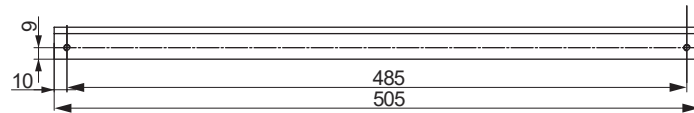
### Mounting plate A130

For guide rail G193 and G195



### Angle bracket A104

Only for standard guide rail G193



### Stainlesssteel full cover

For DC340 and DC347



### Stainless steel design cover

For DC340 and DC347



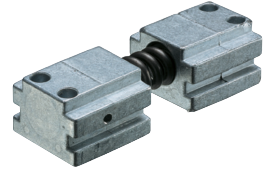


# DC340

## Accessories and order placement information

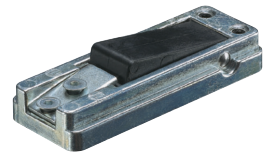
### Opening damper A153

Helps to prevent the door and door handle from hitting a return wall.  
Simple fitting into guide rail.  
Opening damper continuously adjustable up to an opening angle of max. 130°.  
Does not replace a door stop.



### Hold-open device A152

Mechanical hold-open device for doors which sometimes need to be secured in the open position.  
Simple fitting into guide rail G193 and G195.  
Hold-open angle max. 130°  
Not approved for use on fire and smoke protection doors  
Continuously adjustable holding force



### Notice

DC340 with guide rail  
G193 / G195 = EN1-4

DC340 with link arm  
L190 = EN2-6

DC340DA with guide rail  
G193 / G195 = EN2-4

DC340DA with link arm  
L190 = EN2-6

Designation / Item	Order no.	Designation / Item	Order no.
DC340, silver EV1	DC340-----DEV1-	Link arm L190, brown, similar to RAL8014	DCL190-----8014
DC340, white, similar to RAL9016	DC340-----D9016	Link arm L190, black, similar to RAL9005	DCL190-----9005
DC340, brown, similar to RAL8014	DC340-----D8014	Link arm L190, customised finish	DCL190-----XXXX
DC340, black, similar to RAL9005	DC340-----D9005	Hold-open link arm L191, silver EV1 (Cannot be used with fire and smoke protection doors)	DCL191-----EV1-
DC340, stainlesssteel ASSAABLOY design	DC340-----D35--	Hold-open link arm L191, white, similar to RAL9016 (Cannot be used with fire and smoke protection doors)	DCL191-----9016
DC340, stainlesssteel full cover	DC340-1---D35--	Hold-open link arm L191, brown, similar to RAL8014 (Cannot be used with fire and smoke protection doors)	DCL191-----8014
DC340, customised finish	DC340-----DXXXX	Hold-open link arm L191, black, similar to RAL9005 (Cannot be used with fire and smoke protection doors)	DCL191-----9005
DC340DA, stainlesssteel ASSAABLOY design	DC340DA---D35--	Hold-open link arm L191, customised finish (Cannot be used with fire and smoke protection doors)	DCL191-----XXXX
DC340DA, stainlesssteel full cover	DC340DA-1-D35--	Angle bracket A104, silver EV1	DCA104-----EV1-
DC340DA, silver EV1	DC350-----DEV1-	Angle bracket A104, RAL9016 white	DCA104-----9016
DC340DA, white, similar to RAL9016	DC350-----D9016	Angle bracket A104, brown, similar to RAL8014	DCA104-----8014
DC340DA, brown, similar to RAL8014	DC350-----D8014	Angle bracket A104, black, similar to RAL9005	DCA104-----9005
DC340DA, black, similar to RAL9005	DC350-----D9005	Angle bracket A107, silver EV1	DCA107-----EV1-
DC340DA, stainlesssteel ASSAABLOY design	DC350-----D35--	Angle bracket A107, customised finish	DCA107-----XXXX
DC340DA, stainlesssteel full cover	DC350-1---D35--	Mounting plate A126, galvanised	DCA126-----40
DC340DA, customised finish	DC350-----DXXXX	Mounting plate A130, silver EV1	DCA130-----EV1-
Guide rail G193, silver EV1	DCG193-----EV1-	Mounting plate A130, white, similar to RAL9016	DCA130-----9016
Guide rail G193, white, similar to RAL9016	DCG193-----9016	Mounting plate A130, brown, similar to RAL8014	DCA130-----8014
Guide rail G193, brown, similar to RAL8014	DCG193-----8014	Mounting plate A130, black, similar to RAL9005	DCA130-----9005
Guide rail G193, black, similar to RAL9005	DCG193-----9005	Mounting plate A130, customised finish	DCA130-----XXXX
Guide rail G193, black, similar to RAL9005	DCG193-----XXXX	Hold-open device A152	DCA152-----
Guide rail G195, silver EV1	DCG195-----DEV1-	Opening damper A153	DCA153-----
Guide rail G195, white, similar to RAL9016	DCG195-----D9016		
Guide rail G195, brown, similar to RAL8014	DCG195-----D8014		
Guide rail G195, black, similar to RAL9005	DCG195-----D9005		
Guide rail G195, stainlesssteel	DCG195-----D35--		
Guide rail G195, customised finish	DCG195-----DXXXX		
Link arm L190, silver EV1	DCL190-----EV1-		
Link arm L190, white, similar to RAL9016	DCL190-----9016		

# DC680G

## Rack and pinion gate closer with guide rail

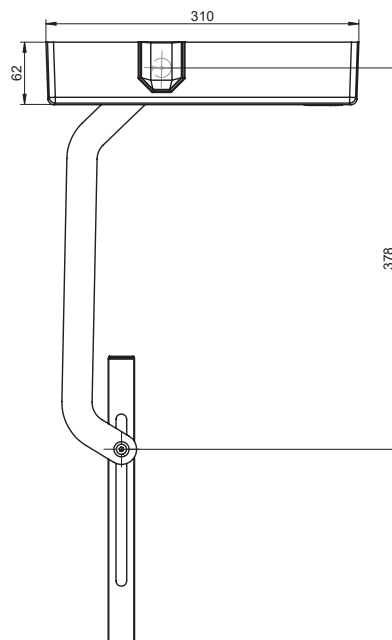
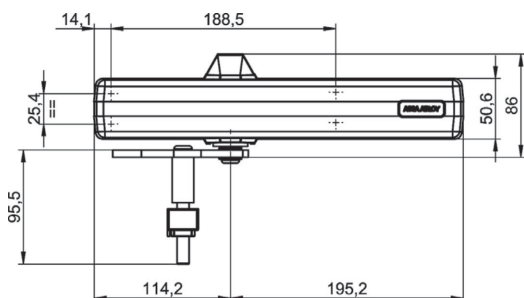


### ASSA ABLOY DC680G

- Suitable for non-paneled garden and pedestrian gates
- Adjustable size
- For single action gate leaf from 600 mm up to 1400 mm

### Characteristics of DC680G

- Gate closer manufactured from heavy duty cast iron
- Adjustable size suitable for gate widths from 600 mm to 1400 mm
- Independent closing and latch speeds controlled by thermostatic valves ensuring stable closing times at different temperatures
- Pinch free guide rail for added safety
- Soft opening and strong closing
- Suitable for gates with or without protruding bars
- Easy to install no welding required
- Supplied complete with fixing plates, guide rail and mounting screws
- Corrosion resistant finishes: black similar to RAL9004, silver and white similar RAL9016



### Technical attributes

Adjustable to suit gate widths	600 mm to 1400 mm
Adjustable pretension	Yes
Gate swing direction	Left/right handed
Closing speed	Variable between 180°-20°
Latching speed	Variable between 20°-0°
Weight	7.8 kg
Height	75 mm
Depth	62 mm
Length	310 mm

# DC680G

## Technical attributes, dimensional drawings and order placement information

Our service for you: here you can see the individual advantages of our door closer models for your respective field of business.

### The advantages at a glance

Customer segment	Advantages
Project planners	- Favorably priced, reliable gate closer
Builders	- Quick and easy installation, no welding required - Suitable for left and right handed gates - Easy to adjust
Trade	- Supplied complete with fixing plates, guide rail and mounting screws
User	- Thermodynamic valves for consistent reliable closing in all temperatures - Pinch free guide rail for added safety - Soft opening and strong closing

### Specifications for DC680G

ASSAABLOY DC680G adjustable size rack and pinion gate closer with guide rail for non-paneled garden and pedestrian gates

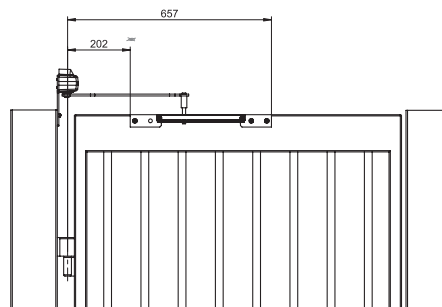
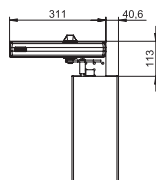
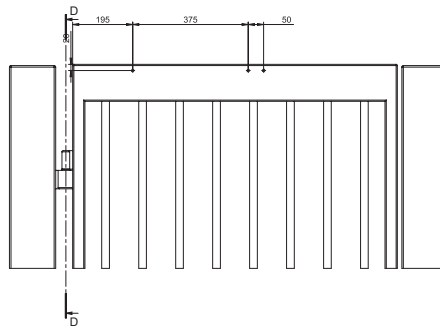
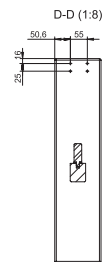
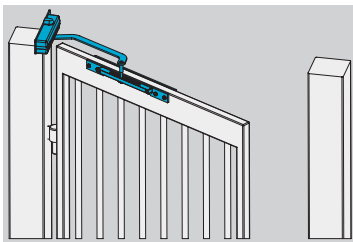
- Adjustable closing force, for gates from 600 mm to 1400 mm wide
- Independent closing speed and latch speed
- Suitable for garden and pedestrian gates
- Suitable for left and right handed gates

No accessories available

Colour:

- Silver EV1
- White, similar to RAL 9016
- Black, similar to RAL 9004

You can find the complete specification on the internet at: [www.assaabloy.de](http://www.assaabloy.de)



### Required space on gates

Left handed shown in diagram  
Right handed is the reverse

Designation / Item	Order no.
DC680G silver EV1	DC680G-----EV1-
DC680G white, similar RAL9016	DC680G-----9016
DC680G black, similar RAL9004	DC680G-----9004

# DC650G

## Rack and pinion gate closer with guide rail

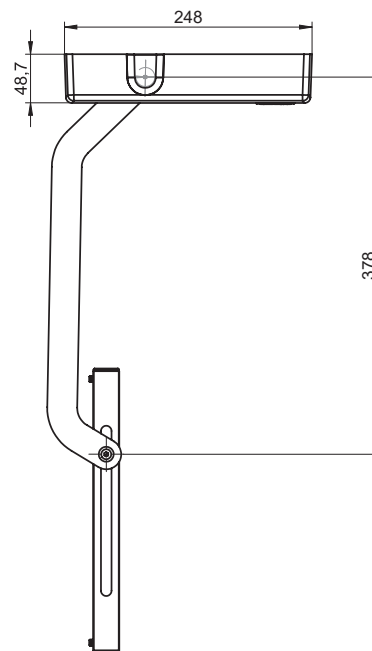
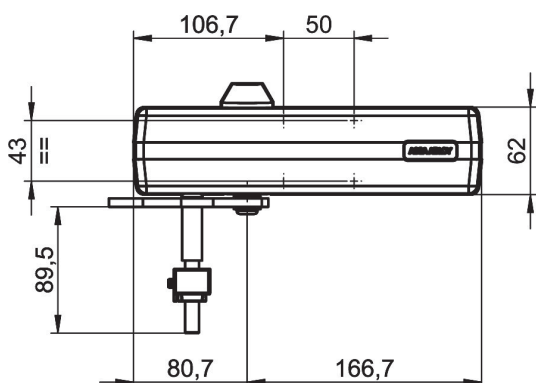


### ASSA ABLOY DC650G

- Suitable for non-paneled garden and pedestrian gates
- Fixed size
- For single action gates leaf up to 1250 mm

### Characteristics of DC650G

- Gate closer manufactured from heavy duty cast iron
- Fixed size suitable for gate widths up to 1250 mm
- Independent closing and latch speeds controlled by thermostatic valves ensuring stable closing times at different temperatures
- Pinch free guide rail for added safety
- Soft opening and strong closing
- Suitable for gates with or without protruding bars
- Easy to install no welding required
- Supplied complete with fixing plates, guide rail and mounting screws
- Corrosion resistant finishes: black similar to RAL9004, silver and white similar RAL9016



### Technical attributes

Gate width up to	1250 mm
Adjustable pretension	Yes
Gate swing direction	Left/right handed
Closing speed	Variable between 180°-20°
Latching speed	Variable between 20°-0°
Weight	7 kg
Height	62 mm
Depth	79 mm
Length	248 mm

# DC650G

## Technical attributes, dimensional drawings and order placement information

Our service for you: here you can see the individual advantages of our door closer models for your respective field of business.

### The advantages at a glance

Customer segment	Advantages
Project planners	- Favorably priced, reliable gate closer
Builders	- Quick and easy installation, no welding required - Suitable for left and right handed gates - Easy to adjust
Trade	- Supplied complete with fixing plates, guide rail and mounting screws
User	- Thermodynamic valves for consistent reliable closing in all temperatures - Pinch free guide rail for added safety - Soft opening and strong closing

### Specifications for DC650G

ASSAABLOY DC650G fixed size strength rack and pinion gate closer with guide rail for non-paneled garden and pedestrian gates

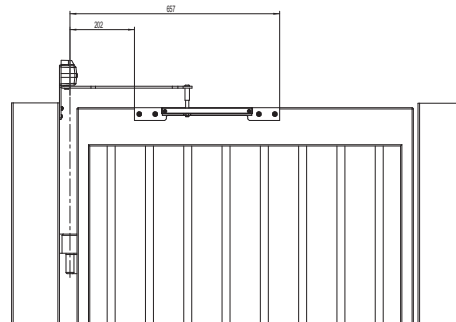
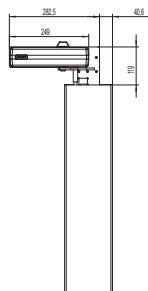
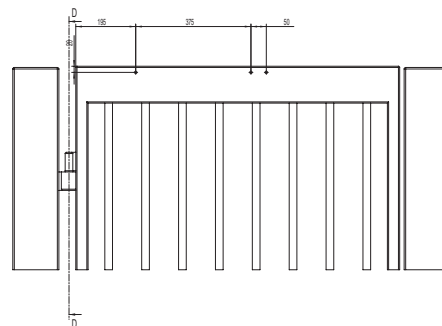
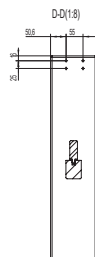
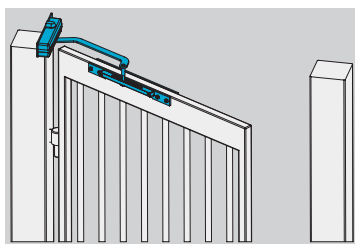
- Suitable for gates up to 1250 mm wide
- Independent closing speed and latch speed
- Suitable for garden and pedestrian gates
- Suitable for left and right handed gates

No accessories available

Colour:

- Silver EV1
- White, similar to RAL 9016
- Black, similar to RAL 9004

You can find the complete specification on the internet at: [www.assaabloy.de](http://www.assaabloy.de)



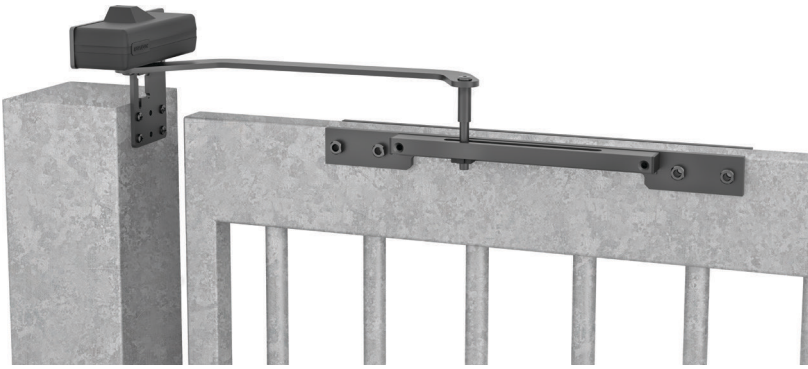
### Required space on gates

Left handed shown in diagram  
Right handed is the reverse

Designation/ Item	Order no.
DC650G silver EV1	DC650G-----EV1-
DC650G white, similar RAL9016	DC650G-----9016
DC650G black, similar RAL9004	DC650G-----9004

# DC620G

## Rack and pinion gate closer with guide rail

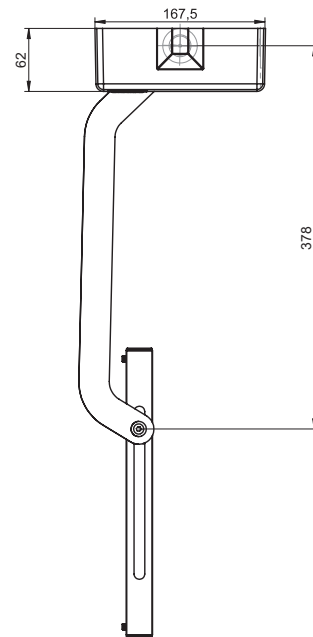
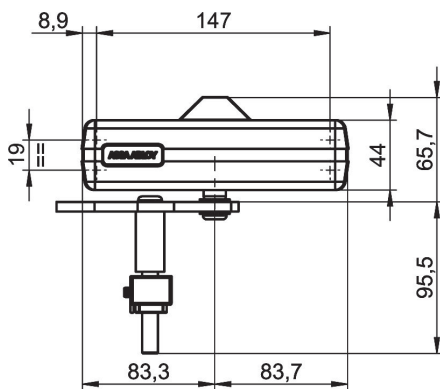


### ASSA ABLOY DC620G

- Suitable for non-paneled garden and pedestrian gates
- Fixed size
- For single action gates leaf up to 1000 mm

### Characteristics of DC620G

- Gate closer manufactured from heavy duty cast iron
- Fixed size suitable for gate widths up to 1000 mm
- Independent closing and latch speeds controlled by thermostatic valves ensuring stable closing times at different temperatures
- Pinch free guide rail for added safety
- Soft opening and strong closing
- Suitable for gates with or without protruding bars
- Easy to install no welding required
- Supplied complete with fixing plates, guide rail and mounting screws
- Corrosion resistant finishes: black similar to RAL9004, silver and white similar RAL9016



### Technical attributes

Gate width up to	1000 mm
Adjustable pretension	Yes
Gate swing direction	Left/right handed
Closing speed	Variable between 180°-20°
Latching speed	Variable between 20°-0°
Weight	5.7 kg
Height	68.5 mm
Depth	62 mm
Length	167.5 mm

# DC620G

## Technical attributes, dimensional drawings and order placement information

Our service for you: here you can see the individual advantages of our door closer models for your respective field of business.

### The advantages at a glance

Customer segment	Advantages
Project planners	- Favorably priced, reliable gate closer
Builders	- Quick and easy installation, no welding required - Suitable for left or right handed gates - Easy to adjust
Trade	- Supplied complete with fixing plates, guide rail and mounting screws
User	- Thermodynamic valves for consistent reliable closing in all temperatures - Pinch free guide rail for added safety - Soft opening and strong closing

### Specifications for DC620G

ASSAABLOY DC620G fixed size strength rack and pinion gate closer with guide rail for non-paneled garden and pedestrian gates

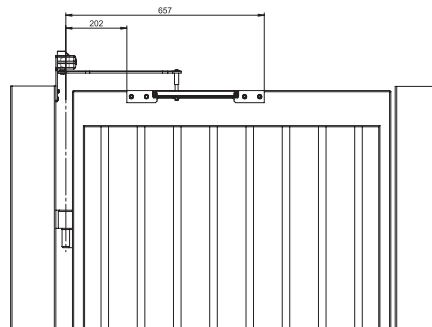
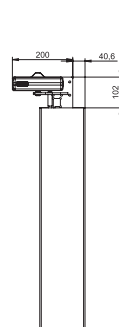
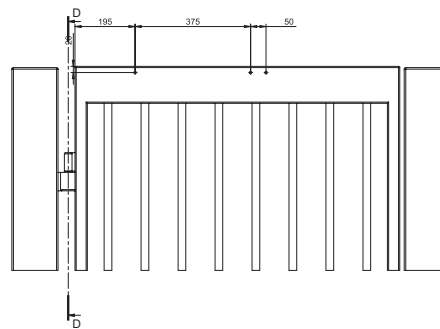
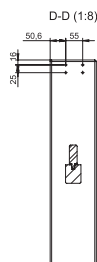
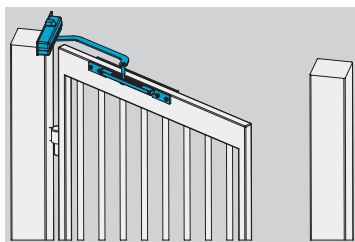
- Suitable for gates up to 1000 mm wide
- Independent closing speed and latch speed
- Suitable for garden and pedestrian gates
- Suitable for left and right handed gates

No accessories available

Colour:

- Silver EV1
- White, similar to RAL 9016
- Black, similar to RAL 9004

You can find the complete specification on the internet at: [www.assaabloy.de](http://www.assaabloy.de)



### Required space on gates

Left handed shown in diagram  
Right handed is the reverse

Designation / Item	Order no.
DC620G silver EV1	DC620G-----EV1-
DC620G white, similar RAL9016	DC620G-----9016
DC620G black, similar RAL9004	DC620G-----9004

# DC475

## Floor spring with Cam-Motion® technology and adjustable closing force for large or very heavy doors



### ASSA ABLOY DC475

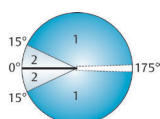
- Floor spring with adjustable closing force for large and very heavy doors.
- Certified in compliance with EN1154, size 3-6, cycle test over 1000,000 cycles
- Suitable for fire and smoke protection doors
- For double and single action door up to 300 kg

### Characteristics of DC475

- Closing from 175° in both door swing directions with hydraulic control from 175°
- Two thermodynamic valves for consistent performance
- Adjustable door speed and latching speed from top regulating valves
- Backcheck
- Cast iron body
- Adjustments in all directions within the cement box
- Cement box in hot zinc plated
- Cover plates and eyelets made in polished or satin stainless steel and polished brass
- Interchangeable spindle from 0 to +30 mm
- Available without hold-open or with hold-open angle 90° and 105°

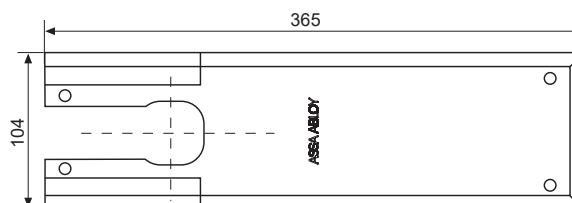
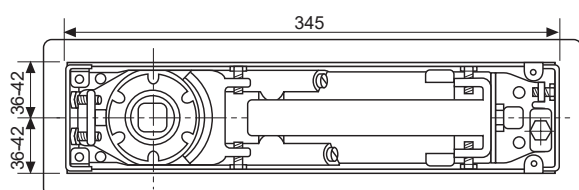
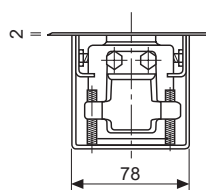
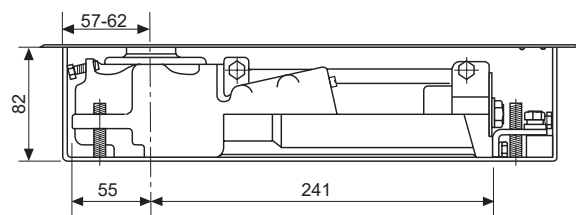


CE	ASSA ABLOY Italia S.p.A. Via Bovaresse, 13 40017 San Giovanni in Persiceto Bologna - Italy	04					
	0425DO.0663	EN1154:1996+A1:2002	3	8	3/6	1	1



### Speed adjustment

- 1 Variable closing speed 175° - 15°
- 2 Variable latching speed 15° - 0°





Technical attributes	
Closing force	EN3 - 6
Door width up to	1400 mm
Max door weight	300 kg
Max. opening angle	175°
Closing speed	Variable between 175° - 15°
Latching speed	Variable between 15° - 0°
Backcheck	mechanical
Weight	7.3 kg
Height	82 mm
Length	345 mm
Width	78 mm
Body adjustment within cement box	vertical 9 mm, side 6 mm, front 5 mm, angular 2°
Direction	Left / right handed doors or double action
Hold-open mode	90°/105°/non hold-open
Certified in compliance with	EN1154
CE marking for building products	Yes
Suitable for fire doors	Yes

### The advantages at a glance

Customer segment	Advantages
Project planners	<ul style="list-style-type: none"> <li>- Extensive range of uses: Fire and smoke protection doors as well as standard doors</li> <li>- Hold-open at 90°, 105° and non hold-open</li> <li>- Variety of available spindles: square Italian, rectangular German</li> <li>- Architectural finishes: Cover plates and eyelets in polished stainless steel, satin stainless steel, polished brass</li> </ul>
Builders	<ul style="list-style-type: none"> <li>- Universal for left/right handed and double action doors</li> <li>- Overpressure relief valve to protect unit against abuse</li> <li>- Large range of adjustment within cement box to solve possible alignment problems on the site without taking down the door</li> </ul>
Trade	<ul style="list-style-type: none"> <li>- Reduced inventory costs due to modular product range</li> <li>- One single product suitable for large variety of mounting positions</li> </ul>
User	<ul style="list-style-type: none"> <li>- Adjustable operating force to meet door construction requirements and user needs</li> <li>- Easier door opening and improved accessibility due to Cam-Motion® technology</li> <li>- Backcheck feature offers optimum protection for doors and walls</li> </ul>

Our service for you: here you can see the individual advantages of our door closer models for your respective field of business.

You can find the complete specification on the internet at: [www.assaabloy.de](http://www.assaabloy.de)

### Specifications for DC475

ASSAABLOY Floor spring DC475 featuring Cam-Motion® technology in compliance with EN1154, cycle test over 1000,000 cycles

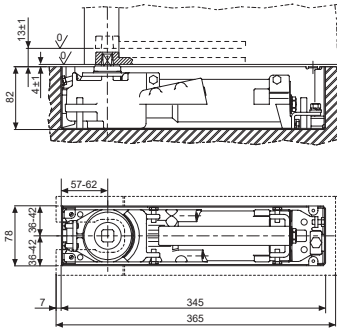
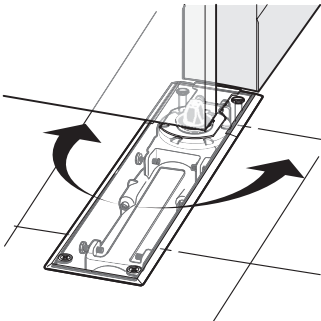
- Closing power variable adjustable, EN size 3-6, for doors up to 1400 mm wide
- Closing speed, latch speed adjustable from top regulating valves
- CE approved
- 9 mm height adjustable within cement box
- Suitable for left/right handed double action doors

### Accessories:

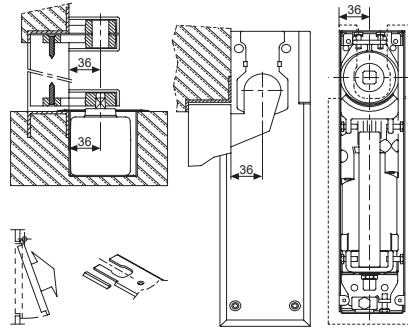
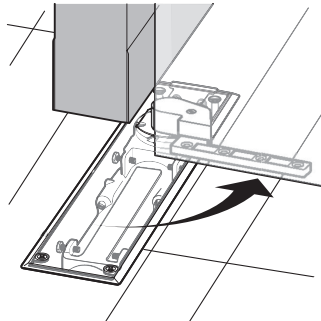
- AC115 - Reversible bottom arm Italian spindle
  - AC393 - Reversible bottom arm German spindle
  - AC8 - Double action top pivot
  - AC375 - Double action top pivot
  - AC583 - Right and left bottom arm. Socket for Italian square spindle.
  - AC392 - Right & left bottom arm. Socket for German rectangular spindle.
  - AC384 - Top pivot for left or right doors
  - AC612 - Sealing Compound for floor springs
- Colour:
- Polished stainless steel
  - Satin stainless steel
  - Polished brass

# DC475

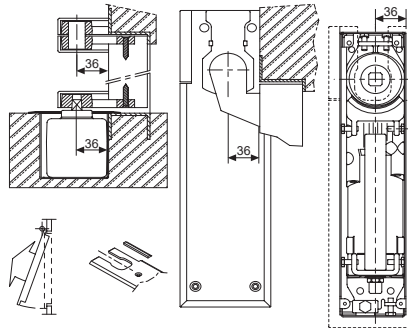
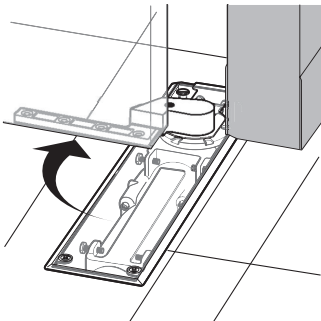
## Dimensional drawings and accessories



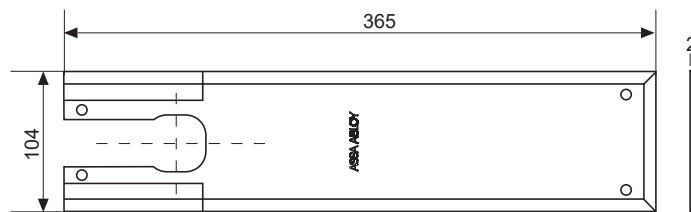
Installation on double-leaved doors



Installation on right-handed doors

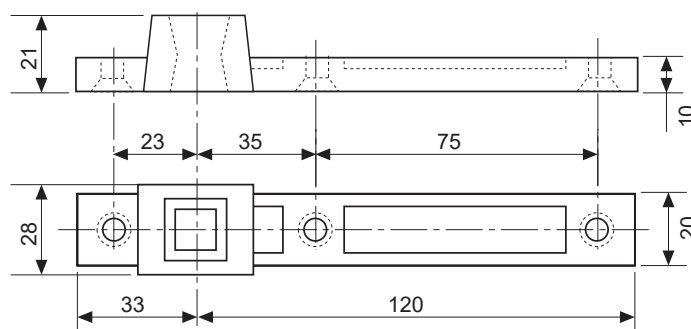


Installation on left-handed doors



### AC269

Available in satin stainless steel, polished stainless steel and polished brass.

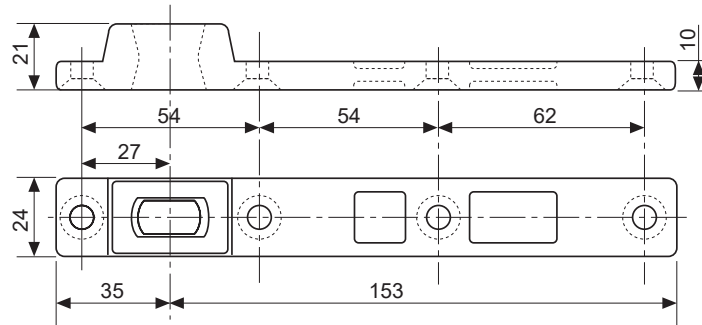


### AC115

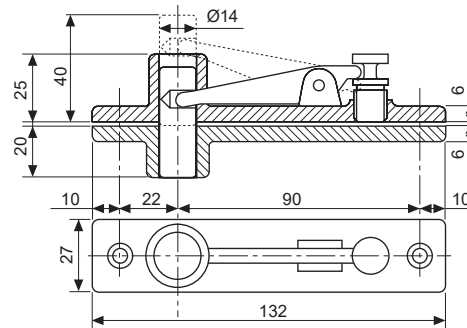
Reversible bottom arm in steel for double action doors. Socket for Italian squared spindle.

# DC475

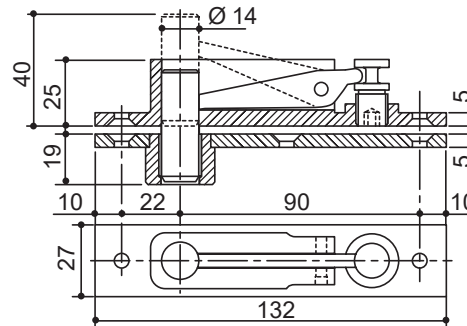
## Accessories



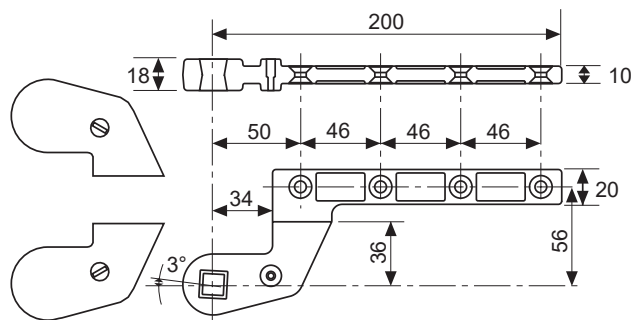
**AC393**  
Reversible bottom arm in steel for double action doors. Socket for German rectangular spindle.



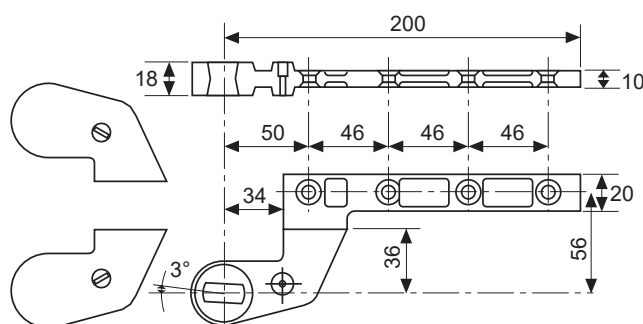
**AC8**  
Top pivot for double action doors



**AC375**  
Double action top pivot in full steel with self lubricating bushing.



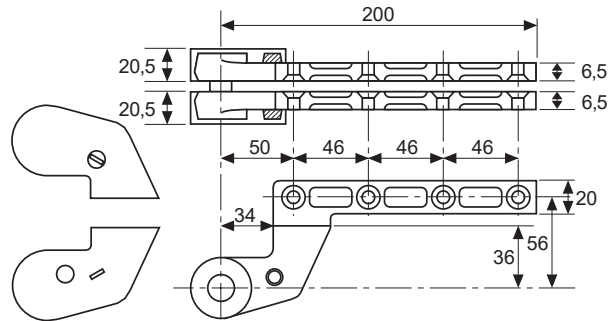
**AC583**  
Right and left bottom arm in steel for single action doors, 36 mm offset. Socket for Italian square spindle. Silver or black painted.



**AC392**  
Right and left bottom arm in steel for single action doors, 36 mm offset. Socket for German rectangular spindle. Silver and black painted ABS covers.

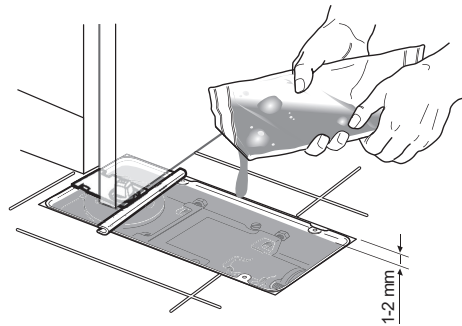
# DC475

## Accessories



### AC384

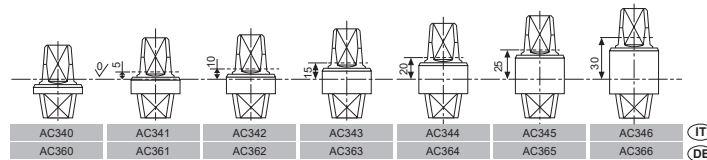
Right and Left Top Arm  
in full steel, 36 mm offset.  
Silver or black painted  
ABS cover.



### AC612

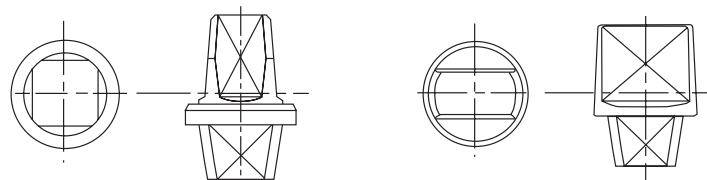
Sealing Compound for  
floor springs.

### Detachable spindles



### Detachable spindles

Italian spindle - square  
shape (left image)  
German spindle - flat-co-  
nical shape (right image)



## Order placement information

Designation/ Item	Order no.	Designation/ Item	Order no.
DC475 Floorspring size 3 - 6 with Hold-Open at 105°	<b>D C E 7 4 1 0 T S R</b>	AC364 Detachable Italian Spindle h = 20 mm - zinc plated	<b>M A 0 3 6 4 S 0</b>
DC475 Floorspring size 3 - 6 with Hold-Open at 90°	<b>D C E 7 4 6 0 T S R</b>	AC365 Detachable Italian Spindle h = 25 mm - zinc plated	<b>M A 0 3 6 5 S 0</b>
DC475 Floorspring size 3-6 without Hold-Open	<b>DCE7490TSR</b>	AC366 Detachable Italian Spindle h = 30 mm - zinc plated	<b>M A 0 3 6 6 S 0</b>
AC269 Cover Plate for DC475 Polished Stainless Steel	<b>D C A 0 2 6 9 I R</b>	AC115 Reversible bottom arm in steel for double action doors. Socket for Italian Spindle	<b>M A 0 1 1 5 S 0</b>
AC269 Cover Plate for DC475 Satin Stainless Steel	<b>D C A 0 2 6 9 P R</b>	AC393 Reversible bottom arm in steel for double action doors. Socket for German Spindle	<b>M A 0 3 9 3 S 0</b>
AC269 Cover Plate for DC475 Polished Brass	<b>D C A 0 2 6 9 B R</b>	AC8 Double action top pivot	<b>M A 0 0 0 8 S 0</b>
AC340 Detachable Italian Spindle h = 0 mm - zinc plated	<b>M A 0 3 4 0 S 0</b>	AC375 Double action top pivot in full steel with self-lubricating bushing	<b>M A 0 3 7 5 S 0</b>
AC341 Detachable Italian Spindle h = 5 mm - zinc plated	<b>M A 0 3 4 1 S 0</b>	AC583 Right and left bottom arm in steel for single action doors, 36 mm offset. Socket for Italian spindle. ABS cover in silver	<b>M A 0 5 8 3 0 0</b>
AC342 Detachable Italian Spindle h = 10 mm - zinc plated	<b>M A 0 3 4 2 S 0</b>	AC583 Right and left bottom arm in steel for single action doors, 36 mm offset. Socket for Italian spindle. ABS cover in black	<b>M A 0 5 8 3 3 0</b>
AC343 Detachable Italian Spindle h = 15 mm - zinc plated	<b>M A 0 3 4 3 S 0</b>	AC392 Right and left bottom arm in steel for single action doors, 36 mm offset. Socket for Italian spindle. ABS cover in silver	<b>M A 0 3 9 2 0 0</b>
AC344 Detachable Italian Spindle h = 20 mm - zinc plated	<b>M A 0 3 4 4 S 0</b>	AC392 Right and left bottom arm in steel for single action doors, 36 mm offset. Socket for Italian spindle. ABS cover in black	<b>M A 0 3 9 2 3 0</b>
AC345 Detachable Italian Spindle h = 25 mm - zinc plated	<b>M A 0 3 4 5 S 0</b>	AC384 Right and left top arm in full steel, 36 mm offset. ABS cover in silver	<b>M A 0 3 8 4 0 0</b>
AC346 Detachable Italian Spindle h = 30 mm - zinc plated	<b>M A 0 3 4 6 S 0</b>	AC384 Right and left top arm in full steel, 36 mm offset. ABS cover in black	<b>M A 0 3 8 4 3 0</b>
AC360 Detachable Italian Spindle h = 0 mm - zinc plated	<b>M A 0 3 6 0 S 0</b>	AC612 Sealing compound for floorsprings	<b>M A 0 6 1 2 S 0</b>
AC361 Detachable Italian Spindle h = 5 mm - zinc plated	<b>M A 0 3 6 1 S 0</b>		
AC362 Detachable Italian Spindle h = 10 mm - zinc plated	<b>M A 0 3 6 2 S 0</b>		
AC363 Detachable Italian Spindle h = 15 mm - zinc plated	<b>M A 0 3 6 3 S 0</b>		

## DC477

# Floor spring with Cam-Motion® technology and adjustable closing force for heavy doors



### ASSA ABLOY DC477

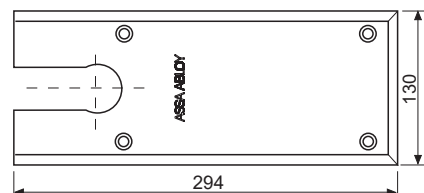
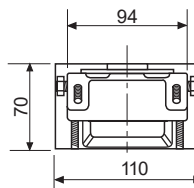
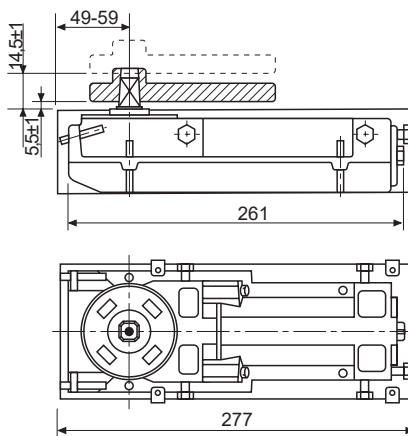
- Floor spring with adjustable closing force for large and heavy doors
- Certified in accordance with EN1154, size 2-4, cycle test over 1000,000 cycles
- Suitable for fire and smoke protection doors
- For double action doors up to 170 kg

### Characteristics of DC477

- From 175° in both door swing directions with hydraulic control from 150°
- Two thermodynamic valves for consistent performance
- Adjustable door speed and latching speed from top regulating valves
- Backcheck
- Cast iron body
- Adjustments in all directions within the cement box
- Cement box in hot zinc plated
- Cover plates and eyelets made in polished or satin stainless steel and polished brass
- Interchangeable spindle from 0 to + 30 mm
- Available without hold-open or with hold-open angle 90° and 105°



CE	ASSA ABLOY Italia S.p.A. Via Modena, 69 40017 San Giovanni Persiceto Bologna - Italy	10					
		0425.DO.221	EN1154:1996+A1:2002	3	8	2 4	1 1 4



Technical attributes	
Closing force	EN2-4
Door width up to	1100 mm
Max door weight	170 kg
Max. opening angle	175° (with no hold-open version max 150°)
Closing speed	Variable between 150° - 15°
Latching speed	Variable between 15° - 0°
Backcheck	mechanical
Weight	5.4 kg
Height	70 mm
Length	277 mm
Width	110 mm
Body adjustment within cement box	vertical 9 mm, side 4 mm, front 10 mm, angular 4°
Direction	Left/right handed double action doors
Hold-open mode	90° / 105° / non hold-open
Certified in compliance with	EN1154
CE marking for building products	Yes
Suitable for fire doors	Yes

### The advantages at a glance

Customer segment	Advantages
Project planners	<ul style="list-style-type: none"> <li>- Extensive range of uses: Fire and smoke protection doors as well as standard doors</li> <li>- Hold-open at 90°, 105° and non hold-open</li> <li>- Variety of available spindles: square Italian, rectangular German</li> <li>- Architectural finishes: Cover plates and eyelets in polished stainless steel, satin stainless steel, polished brass</li> </ul>
Builders	<ul style="list-style-type: none"> <li>- Universal for left/right handed and double action doors</li> <li>- Overpressure relief valve to protect unit against abuse</li> <li>- Large range of adjustment within cement box to solve possible alignment problems on the site without taking down the door</li> </ul>
Trade	<ul style="list-style-type: none"> <li>- Reduced inventory costs due to modular product range</li> <li>- One single product suitable for large variety of mounting positions</li> </ul>
User	<ul style="list-style-type: none"> <li>- Ideal for residential interior thanks to adjustable opening/closing force that makes opening/closing easy</li> <li>- Adjustable operating force to meet door construction requirements and user needs</li> <li>- Easier door opening and improved accessibility due to Cam-Motion® technology</li> <li>- Backcheck feature offers optimum protection for doors and walls</li> </ul>

Our service for you: here you can see the individual advantages of our door closer models for your respective field of business.

You can find the complete specification on the internet at: [www.assaabloy.de](http://www.assaabloy.de)

### Specifications for DC475

ASSAABLOY Floor spring DC477 featuring Cam-Motion® technology in compliance with EN1154, cycle test over 1000,000 cycles

- Closing power variable adjustable, EN size 2-4, for doors up to 1100 mm wide
- Closing speed and latching speed adjustable from top facing regulating valves
- CE approved
- 9 mm height adjustable within cement box
- Suitable for left/right handed double action doors

### Accessories:

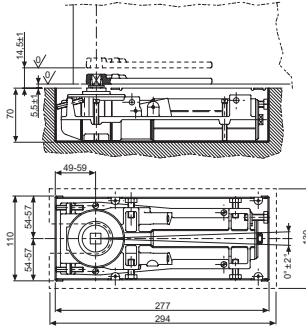
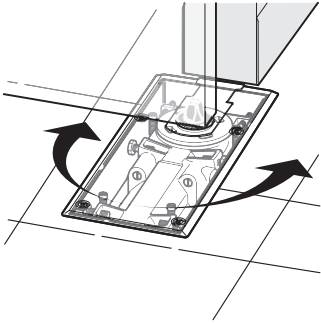
- AC115 - Reversible bottom arm Italian spindle
- AC393 - Reversible bottom arm German spindle
- AC8 - Double action top pivot
- AC375 - Double action top pivot
- AC392 - Right & left bottom arm. Socket for German rectangular spindle.
- AC583 - Right and left bottom arm. Socket for Italian square spindle.
- AC384 - Top pivot for left or right doors
- AC612 - Sealing Compound for floor springs
- AC534 - Cover plate for DC477

### Colour:

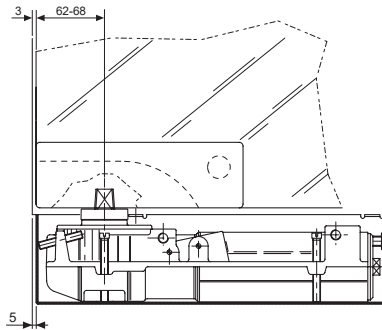
- Polished stainless steel
- Satin stainless steel
- Polished brass

# DC477

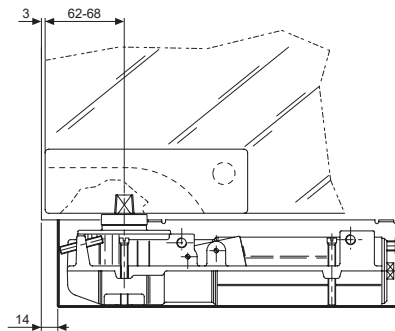
## Dimensional drawings and accessories



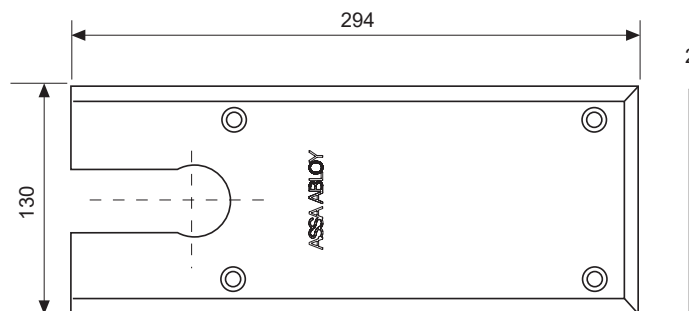
Double action door mounting



Right-handed double action door with patch fitting V500 Bottom hinge for centure-hung doors

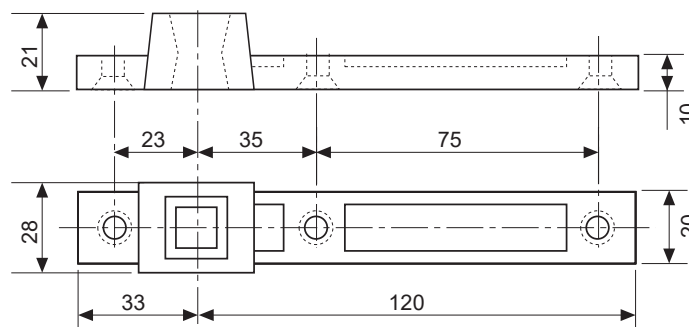


Left-handed double action door with patch fitting V500 Bottom hinge for centure-hung doors



### AC534

Available in satin stainless steel, polished stainless steel and polished brass.



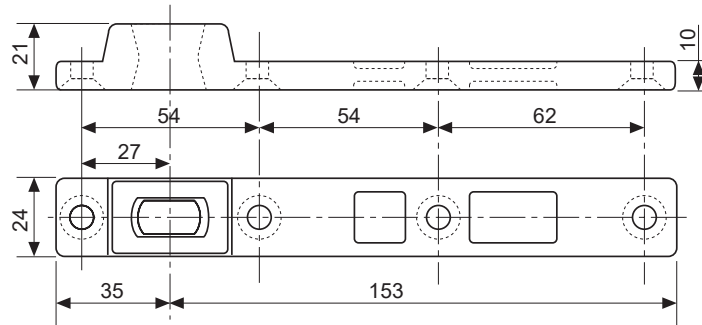
### AC115

Reversible bottom arm in steel for double action doors.

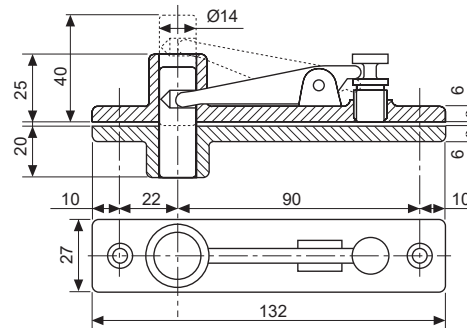


# DC477

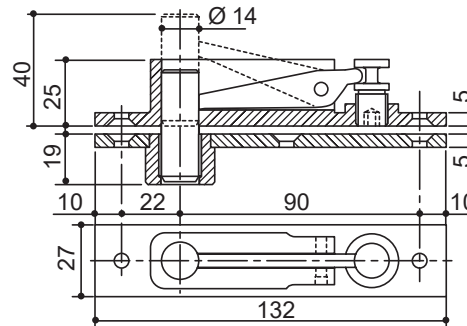
## Accessories



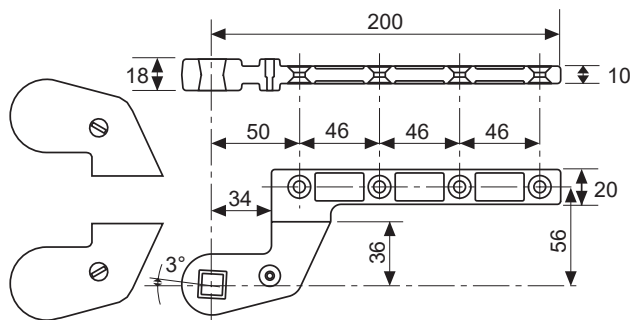
**AC393**  
Reversible bottom arm in steel for double action doors.  
Rectangular German spindle.



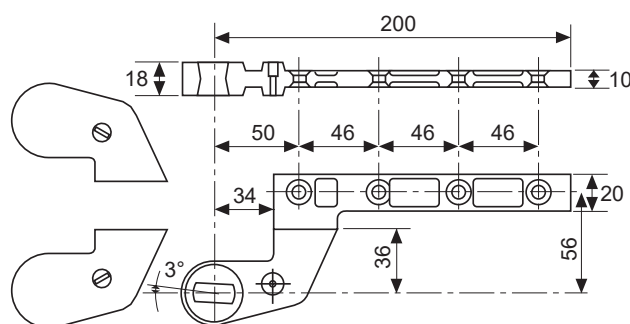
**AC8**  
Double action top pivot.



**AC375**  
Double action top pivot in full steel with self-lubricating bushing.



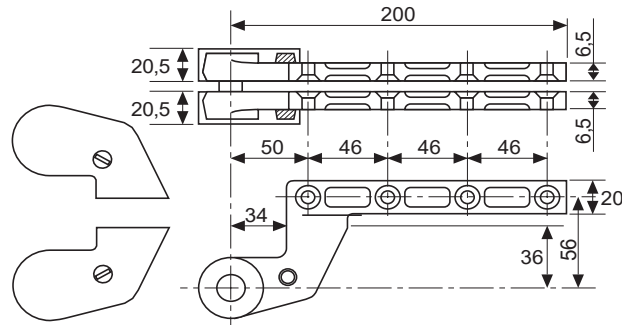
**AC583**  
Right and left bottom arm in steel for single action doors, 36 mm offset. Socket for Italian square spindle. Silver or black painted.



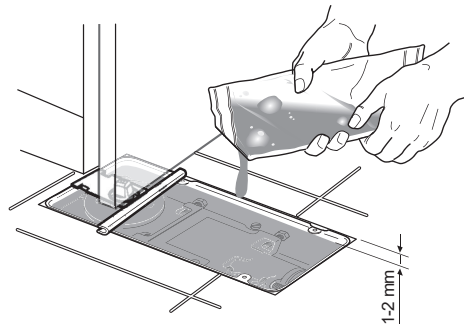
**AC392**  
Right and left bottom arm in steel for single action doors, 36 mm offset. Socket for German rectangular spindle.

# DC477

## Accessories

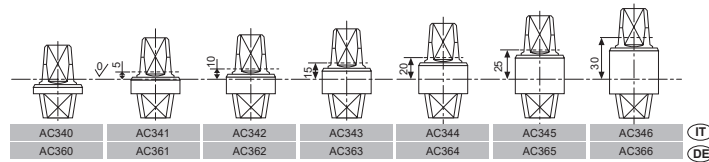


**AC384**  
Right and Left Top Arm  
in full steel, 36 mm offset.

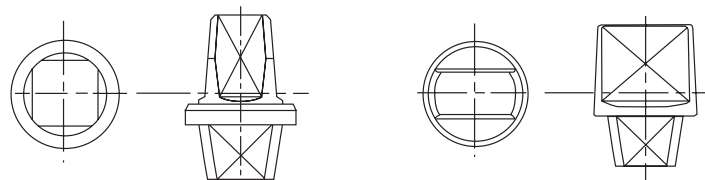


**AC612**  
Sealing Compound for  
floor springs.

### Detachable spindles



**Detachable spindles**  
Italian spindle - square  
shape (left image)  
German spindle - flat-co-  
nical shape (right image)



## Order placement information

Designation/ Item	Order no.	Designation/ Item	Order no.
DC477 Floorspring size 2 - 4 with Hold-Open at 105°	<b>D C E 7 9 1 0 T S R</b>	AC364 Detachable Italian Spindle h = 20 mm - zinc plated	<b>M A 0 3 6 4 S 0</b>
DC477 Floorspring size 2 - 4 with Hold-Open at 90°	<b>D C E 7 9 6 0 T S R</b>	AC365 Detachable Italian Spindle h = 25 mm - zinc plated	<b>M A 0 3 6 5 S 0</b>
DC477 Floorspring size 2-4 without Hold-Open	<b>D C E 7 9 8 0 T S R</b>	AC366 Detachable Italian Spindle h = 30 mm - zinc plated	<b>M A 0 3 6 6 S 0</b>
AC534 cover plate for DC477, polished stainless steel	<b>D C A 0 5 3 4 I R</b>	AC115 Reversible bottom arm in steel for double action doors. Socket for Italian Spindle	<b>M A 0 1 1 5 S 0</b>
AC534 cover plate for DC477, satin stainless steel	<b>D C A 0 5 3 4 H R</b>	AC393 Reversible bottom arm in steel for double action doors. Socket for German Spindle	<b>M A 0 3 9 3 S 0</b>
AC534 cover plate for DC477 –polished brass	<b>D C A 0 5 3 4 P R</b>	AC8 Double action top pivot	<b>M A 0 0 0 8 S 0</b>
AC340 Detachable Italian Spindle h = 0 mm - zinc plated	<b>M A 0 3 4 0 S 0</b>	AC375 Double action top pivot in full steel with self-lubricating bushing	<b>M A 0 3 7 5 S 0</b>
AC341 Detachable Italian Spindle h = 5 mm - zinc plated	<b>M A 0 3 4 1 S 0</b>	AC583 Right and left bottom arm in steel for single action doors, 36 mm offset. Socket for Italian spindle. ABS cover in silver	<b>M A 0 5 8 3 0 0</b>
AC342 Detachable Italian Spindle h = 10 mm - zinc plated	<b>M A 0 3 4 2 S 0</b>	AC583 Right and left bottom arm in steel for single action doors, 36 mm offset. Socket for Italian spindle. ABS cover in black	<b>M A 0 5 8 3 3 0</b>
AC343 Detachable Italian Spindle h = 15 mm - zinc plated	<b>M A 0 3 4 3 S 0</b>	AC392 Right and left bottom arm in steel for single action doors, 36 mm offset. Socket for Italian spindle. ABS cover in silver	<b>M A 0 3 9 2 0 0</b>
AC344 Detachable Italian Spindle h = 20 mm - zinc plated	<b>M A 0 3 4 4 S 0</b>	AC392 Right and left bottom arm in steel for single action doors, 36 mm offset. Socket for Italian spindle. ABS cover in black	<b>M A 0 3 9 2 3 0</b>
AC345 Detachable Italian Spindle h = 25 mm - zinc plated	<b>M A 0 3 4 5 S 0</b>	AC384 Right and left top arm in full steel, 36 mm offset. ABS cover in silver	<b>M A 0 3 8 4 0 0</b>
AC346 Detachable Italian Spindle h = 30 mm - zinc plated	<b>M A 0 3 4 6 S 0</b>	AC384 Right and left top arm in full steel, 36 mm offset. ABS cover in black	<b>M A 0 3 8 4 3 0</b>
AC360 Detachable Italian Spindle h = 0 mm - zinc plated	<b>M A 0 3 6 0 S 0</b>	AC612 Sealing compound for floorsprings	<b>M A 0 6 1 2 S 0</b>
AC361 Detachable Italian Spindle h = 5 mm - zinc plated	<b>M A 0 3 6 1 S 0</b>		
AC362 Detachable Italian Spindle h = 10 mm - zinc plated	<b>M A 0 3 6 2 S 0</b>		
AC363 Detachable Italian Spindle h = 15 mm - zinc plated	<b>M A 0 3 6 3 S 0</b>		

## DC420

### Floor spring with Cam-Motion® technology and fixed closing force for thin slabs



#### ASSAABLOYDC420

- Floor spring with fixed closing force for thin slabs
- Certified in accordance with EN1154, size 2-4, cycle test over 1000,000 cycles
- Suitable for fire and smoke protection doors
- For double and single action door up to 100kg

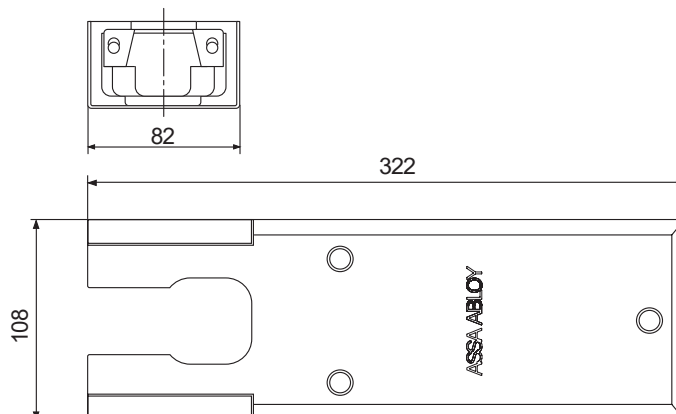
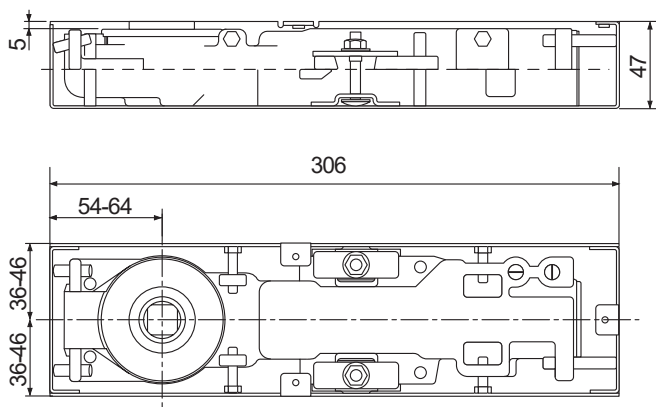
#### Characteristics of DC420

- Same dimensions for 3 bodies according to fix size EN2, EN3, EN4
- Hydraulic control over 175° in both door swing directions
- Adjustable door speed and latching speed from top regulating valves
- Cast iron body
- Adjustments in all directions within the cement box
- Cement box in hot zinc plated
- Cover plates and eyelets made in polished or satin stainless steel and polished brass
- Interchangeable spindle from 0 to +30 mm
- Available with hold-opening angle 90°, 105° and without hold-open
- Available with hold-open at 90°, 105° and without hold-open
- For thin slabs



CE	ASSA ABLOY Italia S.p.A. Via Bovaresa, 13 40017 San Giovanni Persiceto Bologna-Italy	04					
	0425DO.0525	EN1154:1996+A1:2002	3	8	4	1	1

CE	ASSA ABLOY Italia S.p.A. Via Bovaresa, 13 40017 San Giovanni Persiceto Bologna-Italy	04					
	0425DO.0524	EN1154:1996+A1:2002	3	8	3	1	1



Technical attributes	
Fixed closing force	EN2 or EN3 or EN4
Door width up to	850 mm / 950 mm / 1100 mm
Max door weight	100 kg
Max. opening angle	175°
Closing speed	Variable between 175° - 15°
Latching speed	Variable between 15° - 0°
Backcheck	No
Weight	3.9 kg
Height	47 mm
Length	306 mm
Width	82 mm
Body adjustment within cement box	vertical 5 mm, side 10 mm, front 10 mm, angular 6°
Direction	Left / Right handed doors or double action
Hold-open mode	90°/105°/non hold-open
Certified in compliance with	EN1154
CE marking for building products	Yes
Suitable for fire doors	Yes

### The advantages at a glance

Customer segment	Advantages
Project planners	<ul style="list-style-type: none"> <li>- Extensive range of uses: Fire and smoke protection doors as well as standard doors</li> <li>- Particularly suitable in case of double action glass doors</li> <li>- Recommended for thin slabs</li> <li>- Hold-open at 90°, 105° and non hold-open</li> <li>- Variety of available spindles: square Italian, rectangular German</li> <li>- Architectural finishes: Cover plates and eyelets in polished stainless steel, satin stainless steel, polished brass</li> </ul>
Builders	<ul style="list-style-type: none"> <li>- Universal for left/right handed and double action doors</li> <li>- Large range of adjustment within cement box to solve possible alignment problems on the site without taking down the door</li> </ul>
Trade	<ul style="list-style-type: none"> <li>- Reduced inventory costs due to modular product range</li> <li>- One single product suitable for a large variety of mounting positions</li> <li>- Complementary accessories available for the whole product range</li> </ul>
User	<ul style="list-style-type: none"> <li>- Easier door opening and improved accessibility due to rapidly decreasing opening force (Cam-Motion)</li> </ul>

Our service for you: here you can see the individual advantages of our door closer models for your respective field of business.

You can find the complete specification on the internet at: [www.assaabloy.de](http://www.assaabloy.de)

### Specifications for DC420

ASSAABLOY Floor spring DC420 featuring Cam-Motion® technology in compliance with EN1154

- Closing power, EN sizes 2/3/4, for doors up to 1100 mm wide, cycle test over 1000,000 cycles
- Closing speed, latch speed adjustable from top regulating valves
- CE approved
- 5 mm height adjustable within cement box
- Suitable for left/right handed double action doors

### Accessories:

- AC115 - Reversible bottom arm Italian spindle
- AC393 - Reversible bottom arm German spindle
- AC8 - Double action top pivot
- AC375 - Double action top pivot
- AC583 - Right and left bottom arm. Socket for Italian square spindle
- AC392 - Right & left bottom arm. Socket for German rectangular spindle

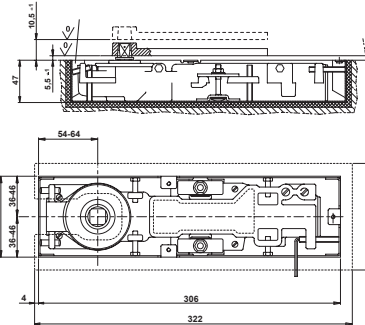
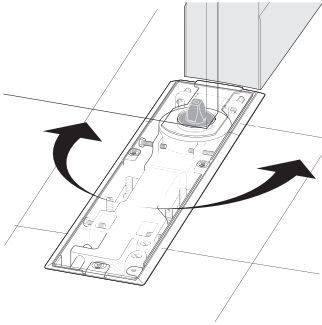
- AC384 - Top pivot for left or right doors
- AC612 - Sealing Compound for floor springs
- AC307 - Cover plate

### Colour:

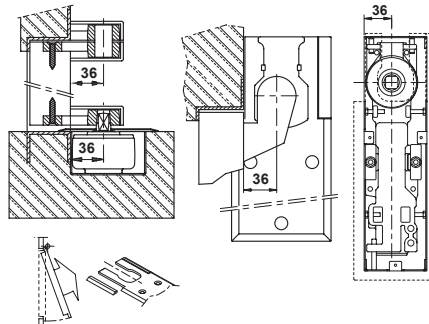
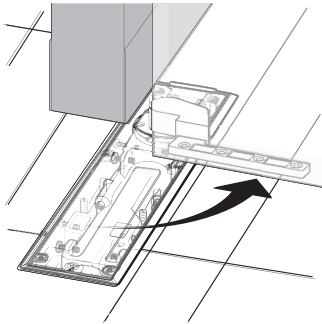
- Polished stainless steel
- Satin stainless steel
- Polished brass

# DC420

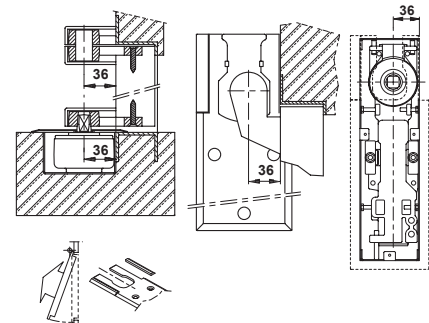
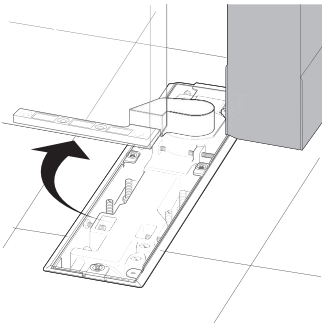
## Dimensional drawings and accessories



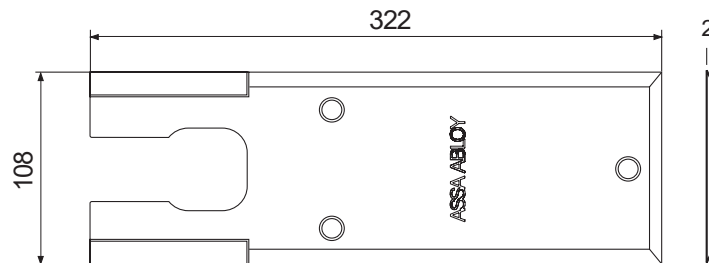
Double action door mounting



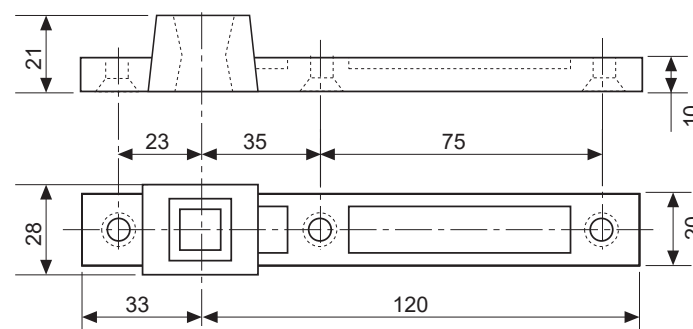
Right-handed door mounting



Left-handed door mounting



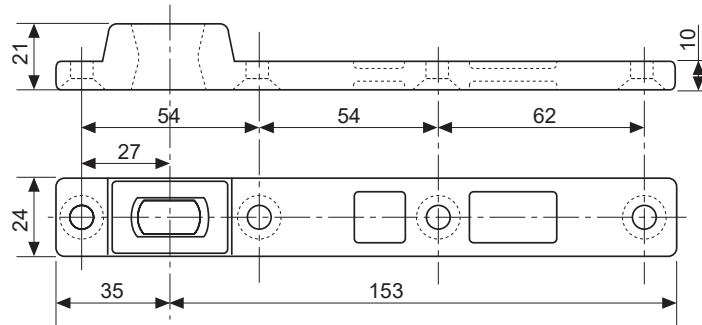
**AC307**  
Available in satin stainless steel, polished stainless steel and polished brass.



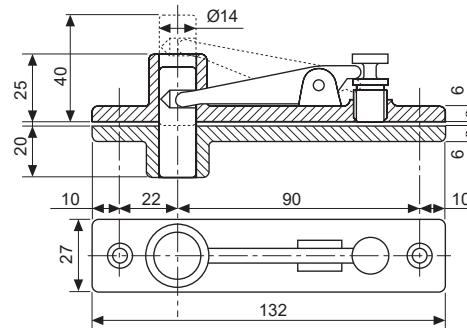
**AC115**  
Reversible bottom arm in steel for double action doors. Socket for Italian squared spindle.

# DC420

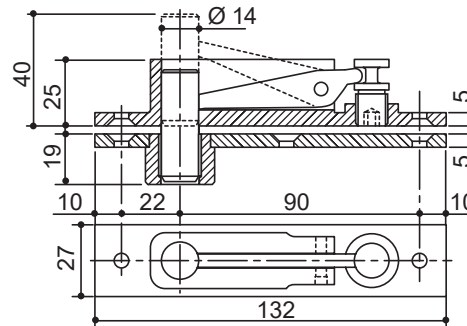
## Accessories



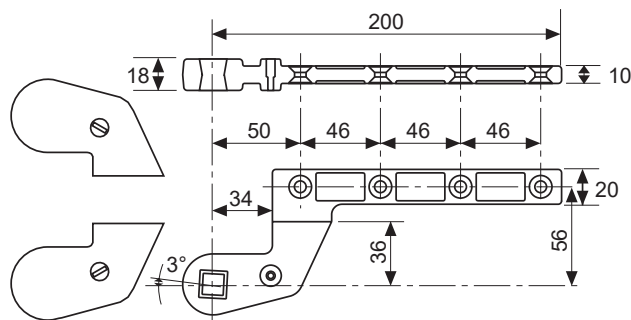
**AC393**  
Reversible bottom arm in steel for double action doors. Socket for German rectangular spindle.



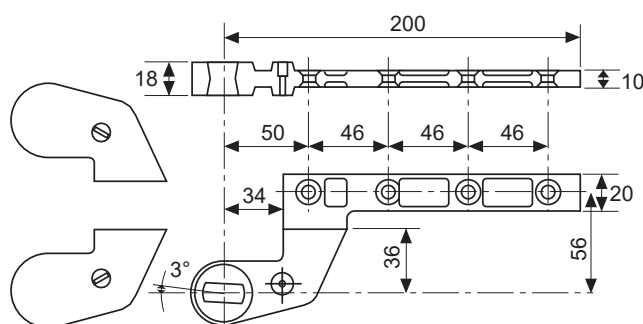
**AC8**  
Double action top pivot.



**AC375**  
Double action top pivot in full steel with self lubricating bushing.



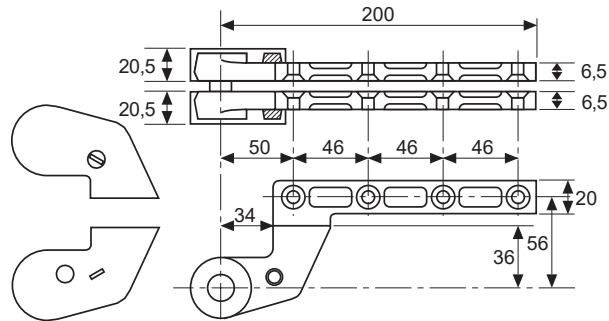
**AC583**  
Right and left bottom arm in steel for single action doors, 36 mm. offset. Socket for Italian square spindle. Silver or black painted.



**AC392**  
Right and left bottom arm in steel for single action doors, 36 mm offset. Socket for German rectangular spindle. Silver or black painted ABS covers.

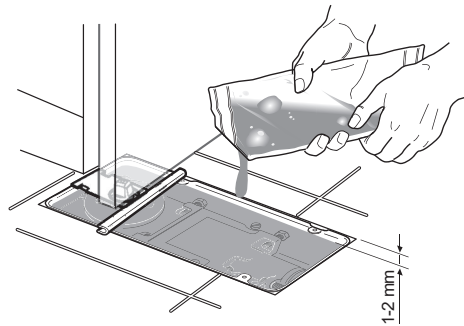
# DC420

## Accessories



### AC384

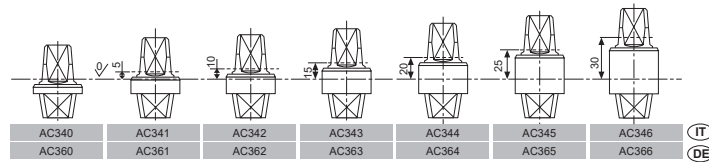
Right and Left Top Arm  
in full steel, 36 mm offset.  
Silver or black painted  
ABS cover.



### AC612

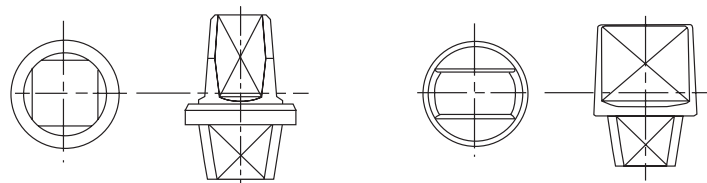
Sealing Compound for  
floor springs.

### Detachable spindles



### Detachable spindles

Italian spindle - square  
shape (left image) Ger-  
man spindle - flat-conical  
shape (right image)





## Order placement information

Designation/ Item	Order no.	Designation/ Item	Order no.
DC420 Floorspring size2 with Hold-Open at 105°	D CE4 2 1 2 TSR	AC362 Detachable Italian Spindle h = 10 mm - zinc plated	MA 0 3 6 2 S0
DC420 Floorspring size2 with Hold-Open at 90°	D CE4 2 6 2 TSR	AC363 Detachable Italian Spindle h = 15 mm - zinc plated	MA 0 3 6 3 S0
DC420 Floorspring size2 without Hold-Open	D CE4 2 9 2 T SR	AC364 Detachable Italian Spindle h = 20 mm - zinc plated	MA 0 3 6 4 S0
DC420 Floorspring size3 with Hold-Open at 105°	D CE4 2 1 3 TSR	AC365 Detachable Italian Spindle h = 25 mm - zinc plated	MA 0 3 6 5 S0
DC420 Floorspring size3 with Hold-Open at 90°	D CE4 2 6 3 TSR	AC366 Detachable Italian Spindle h = 30 mm - zinc plated	MA 0 3 6 6 S0
DC420 Floorspring size3 without Hold-Open	D CE4 2 9 3 T SR	AC115 Reversible bottom arm in steel for double action doors. Socket for Italian Spindle	MA 0 1 1 5 S0
DC420 Floorspring size4 with Hold-Open at 105°	D CE4 2 1 4 TSR	AC393 Reversible bottom arm in steel for double action doors. Socket for German Spindle	MA 0 3 9 3 S0
DC420 Floorspring size4 with Hold-Open at 90°	D CE4 2 6 4 TSR	AC8 Double action top pivot	MA 0 0 0 8 S0
DC420 Floorspring size4 without Hold-Open	D CE4 2 9 4 T SR	AC375 Double action top pivot in full steel with self-lubricating bushing	MA 0 3 7 5 S0
AC307 Cover Plate for DC420 Polished Stainless Steel	D CA 0 3 0 7 I R	AC583 Right and left bottom arm in steel for single action doors, 36 mm offset. Socket for Italian spindle. ABS cover in silver	MA 0 5 8 3 0 0
AC307 Cover Plate for DC420 Satin Stainless Steel	D CA 0 3 0 7 H R	AC583 Right and left bottom arm in steel for single action doors, 36 mm offset. Socket for Italian spindle. ABS cover in black	MA 0 5 8 3 3 0
AC307 Cover Plate for DC420 Polished Brass	D CA 0 3 0 7 P R	AC392 Right and left bottom arm in steel for single action doors, 36 mm offset. Socket for Italian spindle. ABS cover in silver	MA 0 3 9 2 0 0
AC340 Detachable Italian Spindle h = 0 mm - zinc plated	MA 0 3 4 0 S0	AC392 Right and left bottom arm in steel for single action doors, 36 mm offset. Socket for Italian spindle. ABS cover in black	MA 0 3 9 2 3 0
AC341 Detachable Italian Spindle h = 5 mm - zinc plated	MA 0 3 4 1 S0	AC384 Right and left top arm in full steel, 36 mm offset. ABS cover in silver	MA 0 3 8 4 0 0
AC342 Detachable Italian Spindle h = 10 mm - zinc plated	MA 0 3 4 2 S0	AC384 Right and left top arm in full steel, 36 mm offset. ABS cover in black	MA 0 3 8 4 3 0
AC343 Detachable Italian Spindle h = 15 mm - zinc plated	MA 0 3 4 3 S0	AC612 Sealing compound for floorsprings	MA 0 6 1 2 S0
AC344 Detachable Italian Spindle h = 20 mm - zinc plated	MA 0 3 4 4 S0		
AC345 Detachable Italian Spindle h = 25 mm - zinc plated	MA 0 3 4 5 S0		
AC346 Detachable Italian Spindle h = 30 mm - zinc plated	MA 0 3 4 6 S0		
AC360 Detachable Italian Spindle h = 0 mm - zinc plated	MA 0 3 6 0 S0		
AC361 Detachable Italian Spindle h = 5 mm - zinc plated	MA 0 3 6 1 S0		

# DC450

## Floor spring with Cam-Motion® technology and fixed closing force for very thin slabs



### ASSAABLOYDC450

- Floor spring with fixed closing force for very thin slabs
- Certified in compliance with EN1154, size 3 or 4
- Suitable for fire and smoke protection doors
- For double and single action doors up to 120 kg

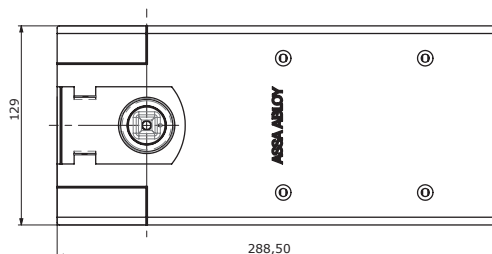
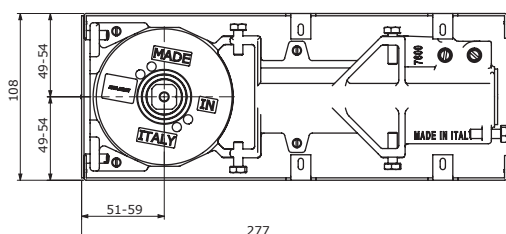
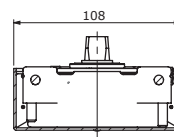
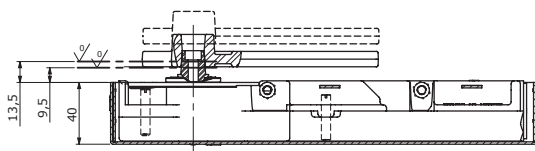
### Characteristics of DC450

- Same dimensions for 2 bodies according to fix size EN3, EN4
- Hydraulic control over 130° in both door swing directions
- Adjustable door speed and latching speed from top regulating valves
- Cast iron body
- Adjustments in all directions within the cement box
- Cement box hot zinc plated and only 40 mm Height
- Cover plates and eyelets made in polished or satin stainless steel
- Interchangeable spindle from 0 + 30 mm
- Available with hold-open at 90°, 105° and without hold-open



CE	ASSA ABLOY Italia S.p.A. 40017 San Giovanni in Persiceto Bologna - Italy	15					
	00425-CPR-2866	EN1154:1996+2002+AC2006	3	8	4	1	1

CE	ASSA ABLOY Italia S.p.A. 40017 San Giovanni in Persiceto Bologna - Italy	15					
	00425-CPR-2865	EN1154:1996+2002+AC2006	3	8	3	1	1



# DC450

## Technical attributes

Technical attributes	
Fixed closing force	EN3/EN4
Door width up to	950 mm / 1100 mm
Max door weight	120 kg
Max. opening angle	130°
Closing speed	Variable between 130° - 15°
Latching speed	Variable between 15° - 0°
Backcheck	No
Weight	3.8 kg
Height	40 mm
Length	277 mm
Width	108 mm
Body adjustment within cement box	vertical 2 mm, side 6 mm; front 7 mm, angular 4°
Direction	Left / right handed doors or double action
Hold-open mode	90°/105°/non hold-open
Certified in compliance with	EN1154
CE marking for building products	Yes
Fire and smoke protection	Yes

### The advantages at a glance

Customer segment	Advantages
Project planners	<ul style="list-style-type: none"> <li>- Extensive range of uses: Fire and smoke protection doors as well as standard doors</li> <li>- Particularly suitable in case of double action glass doors</li> <li>- Recommended for thin slabs</li> <li>- Hold-open at 90°, 105° and non hold-open</li> <li>- Variety of available spindles: square Italian, rectangular German</li> <li>- Architectural finishes: Cover plates and eyelets in polished stainless steel, satin stainless steel, polished brass</li> </ul>
Builders	<ul style="list-style-type: none"> <li>- Universal for left/right handed and double action doors</li> <li>- Large range of adjustment within cement box to solve possible alignment problems on the site without taking down the door</li> </ul>
Trade	<ul style="list-style-type: none"> <li>- Reduced inventory costs due to modular product range</li> <li>- One single product suitable for all fitting applications</li> </ul>
User	<ul style="list-style-type: none"> <li>- Easier door opening and improved accessibility due to Cam-Motion® technology</li> </ul>

Our service for you: here you can see the individual advantages of our door closer models for your respective field of business.

You can find the complete specification on the internet at: [www.assaabloy.de](http://www.assaabloy.de)

### Specifications for DC450

ASSAABLOY floor spring DC450 featuring Cam-Motion® technology in compliance with EN1154

- Closing power EN sizes 3,4 for doors up to 120 kg and 1100 mm wide
- Closing speed, latch speed adjustable from top regulating valves
- 40 mm Height
- Suitable for left/right handed double action doors
- CE approved

### Accessories:

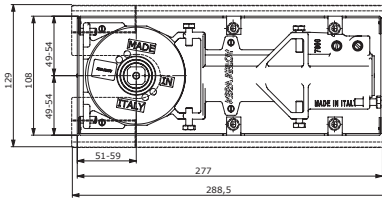
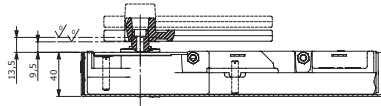
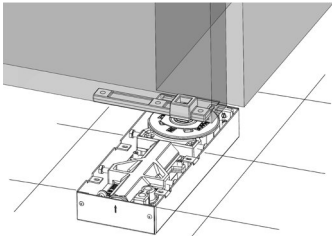
- AC115 - Reversible bottom arm Italian spindle
- AC393 - Reversible bottom arm German spindle
- AC8 - Double action top pivot
- AC375 - Double action top pivot
- AC583 - Right and left bottom arm. Socket for Italian square spindle.
- AC392 - Right & left bottom arm. Socket for German rectangular spindle.
- AC384 - Top pivot for left or right doors
- AC612 - Sealing Compound for floor springs
- AC616 - Cover Plate

### Colour:

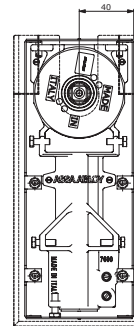
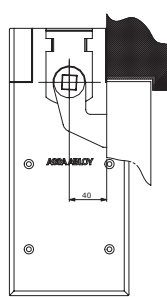
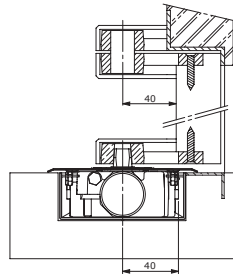
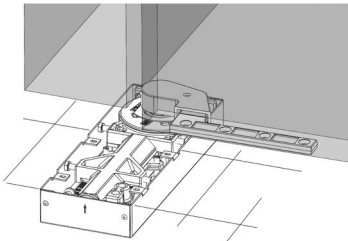
- Polished stainless steel
- Satin stainless steel

# DC450

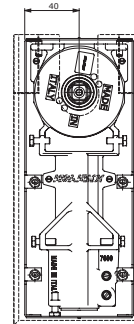
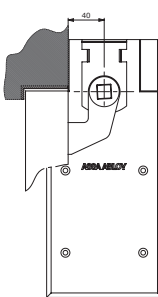
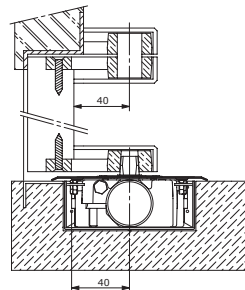
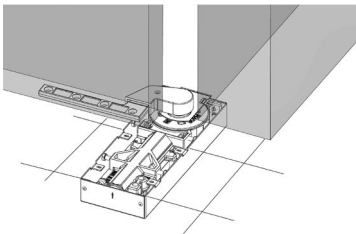
## Dimensional drawings and accessories



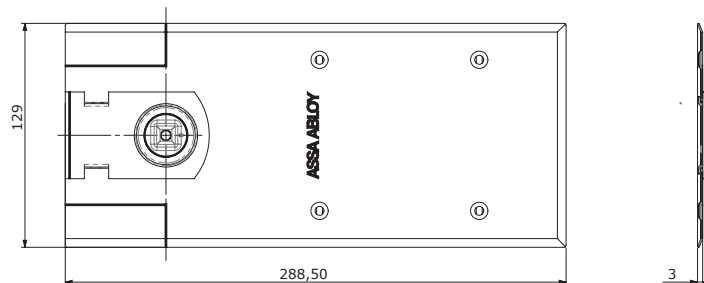
Double action door mounting.



Left-hand door mounting (DIN Right)

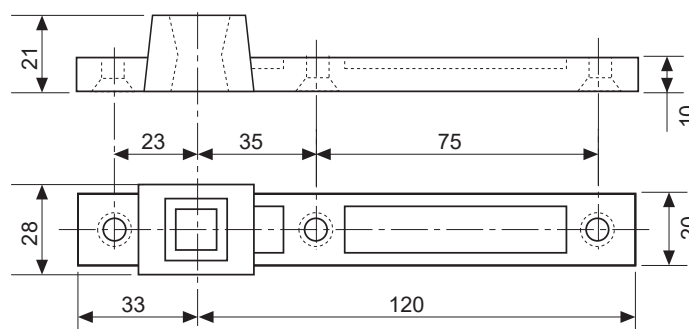


Right-hand door mounting (DIN Left)



### AC619

Available in satin stainless steel, polished stainless steel and polished brass.

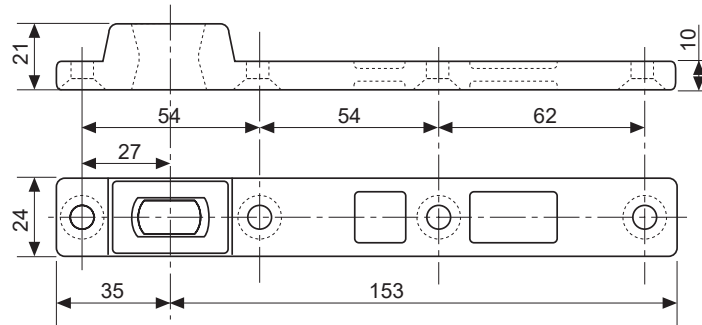


### AC115

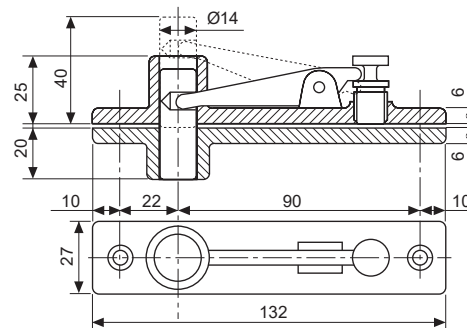
Reversible bottom arm in steel for double action doors. Socket for Italian squared spindle.

# DC450

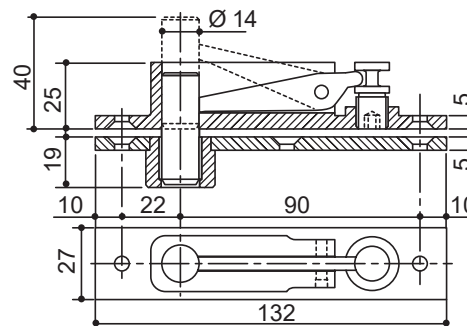
## Accessories



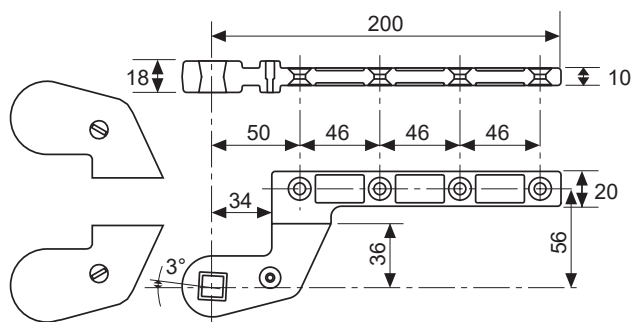
**AC393**  
Reversible bottom arm in steel for double action doors. Socket for German rectangular spindle.



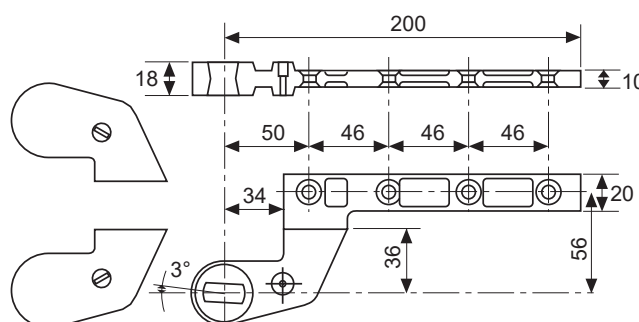
**AC8**  
Top pivot for double action doors



**AC375**  
Double action top pivot in full steel with self lubricating bushing.



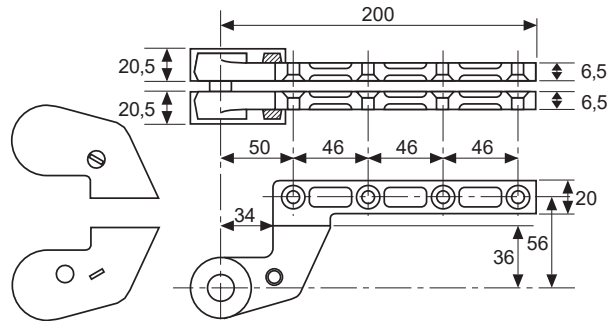
**AC583**  
Right and left bottom arm in steel for single action doors, 36 mm offset. Socket for Italian square spindle. Silver or black painted.



**AC392**  
Right and left bottom arm in steel for single action doors, 36 mm offset. Socket for German rectangular spindle. Silver or black painted ABS covers.

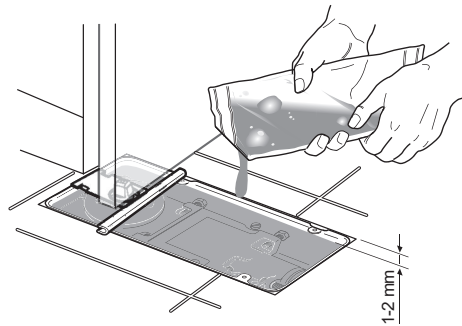
# DC450

## Accessories



### AC384

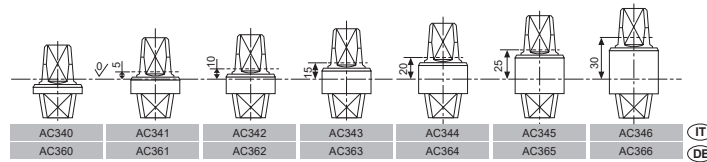
Right and Left Top Arm in full steel, 36 mm offset. Silver or black painted ABS cover.



### AC612

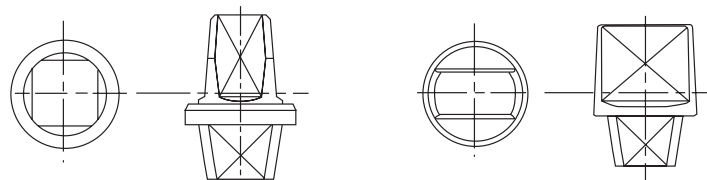
Sealing Compound for floor springs.

### Detachable spindles



### Detachable spindles

Italian spindle - square shape (left image) German spindle - flat-conical shape (right image)



## Order placement information

Designation/ Item	Order no.	Designation/ Item	Order no.
DC450Floorspringsize3withHold-Openat105°	<b>DCE4513TSW</b>	AC363Detachable Italian Spindle h = 15 mm - zinc plated	<b>M A 0 3 6 3 S 0</b>
DC450Floorspringsize3withHold-Openat90°	<b>DCE4563TSW</b>	AC364Detachable Italian Spindle h = 20 mm - zinc plated	<b>M A 0 3 6 4 S 0</b>
DC450Floorspring size3 without Hold-Open	<b>D C E 4 5 9 3 T S W</b>	AC365Detachable Italian Spindle h = 25 mm - zinc plated	<b>M A 0 3 6 5 S 0</b>
DC450Floorspringsize4withHold-Openat105°	<b>DCE4514TSW</b>	AC366Detachable Italian Spindle h = 30 mm - zinc plated	<b>M A 0 3 6 6 S 0</b>
DC450Floorspringsize4withHold-Openat90°	<b>DCE4564TSW</b>	AC115Reversiblebottom arm in steel for double action doors. Socketfor Italian Spindle	<b>M A 0 1 1 5 S 0</b>
DC450Floorspring size4 without Hold-Open	<b>D C E 4 5 9 4 T S W</b>	AC393Reversiblebottom arm in steel for double action doors. Socketfor German Spindle	<b>M A 0 3 9 3 S 0</b>
AC619 CoverPlate for DC450 Polished Stainless Steel	<b>D C A 0 6 1 9 I W</b>	AC8Double action top pivot	<b>M A 0 0 0 8 S 0</b>
AC619CoverPlateforDC450SatinStainlessSteel	<b>DCA0619QW</b>	AC375Double action top pivot in full steel with self-lubricating bushing	<b>M A 0 3 7 5 S 0</b>
AC340DetachableItalianSpindleh = 0 mm - zinc plated	<b>M A 0 3 4 0 S 0</b>	AC583Right and left bottom arm in steel for single action doors,36 mm offset.Socket for Italian spindle. ABScover in silver	<b>M A 0 5 8 3 0 0</b>
AC341DetachableItalianSpindleh = 5 mm - zinc plated	<b>M A 0 3 4 1 S 0</b>	AC583Right and left bottom arm in steel for single action doors,36 mm offset.Socket for Italian spindle. ABScover in black	<b>M A 0 5 8 3 3 0</b>
AC342Detachable Italian Spindle h = 10 mm - zinc plated	<b>M A 0 3 4 2 S 0</b>	AC392Right and left bottom arm in steel for single action doors,36 mm offset.Socket for Italian spindle. ABScover in silver	<b>M A 0 3 9 2 0 0</b>
AC343Detachable Italian Spindle h = 15 mm - zinc plated	<b>M A 0 3 4 3 S 0</b>	AC392Right and left bottom arm in steel for single action doors,36 mm offset.Socket for Italian spindle. ABScover in black	<b>M A 0 3 9 2 3 0</b>
AC344Detachable Italian Spindle h = 20 mm - zinc plated	<b>M A 0 3 4 4 S 0</b>	AC384Right and left top arm in full steel,36 mm offset. ABScover in silver	<b>M A 0 3 8 4 0 0</b>
AC345Detachable Italian Spindle h = 25 mm - zinc plated	<b>M A 0 3 4 5 S 0</b>	AC384Right and left top arm in full steel,36 mm offset. ABScover in black	<b>M A 0 3 8 4 3 0</b>
AC346Detachable Italian Spindle h = 30 mm - zinc plated	<b>M A 0 3 4 6 S 0</b>	AC612Sealingcompound for floorsprings	<b>M A 0 6 1 2 S 0</b>
AC360Detachable Italian Spindle h = 0 mm - zinc plated	<b>M A 0 3 6 0 S 0</b>		
AC361Detachable Italian Spindle h = 5 mm - zinc plated	<b>M A 0 3 6 1 S 0</b>		
AC362Detachable Italian Spindle h = 10 mm - zinc plated	<b>M A 0 3 6 2 S 0</b>		

# DC460

## Floor spring with Cam-Motion® technology and fixed closing force for very thin slabs



### ASSAABLOYDC460

- Floor spring with fixed closing force for very thin slabs
- Certified in compliance with EN1154, size 2, 3 or 4
- Suitable for fire and smoke protection doors
- For double action doors up to 120 kg

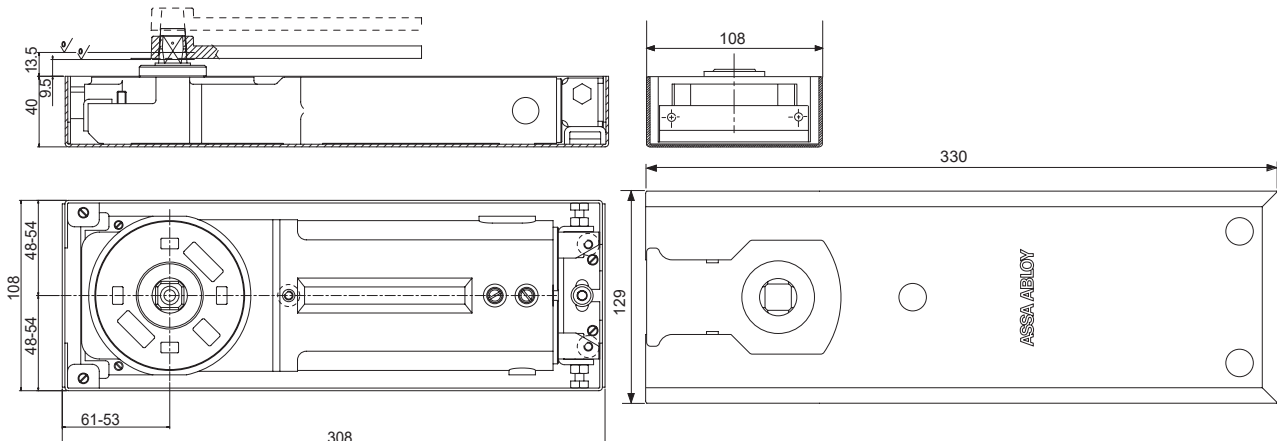
### Characteristics of DC460

- Same dimensions for 3 bodies according to fixed size EN2, EN3, EN4
- Hydraulic control over 130° in both door swing directions
- Adjustable door speed and latching speed from top regulating valves
- Cast iron body
- Adjustments in all directions within the cement box
- Cement box black painted and only 40 mm Height
- Cover plates and eyelets made in polished or satin stainless steel
- Interchangeable spindle from 0 + 30 mm
- Available with hold-open at 90°, 105° and without hold-open



CE	ASSA ABLOY Italia S.p.A. Via Bovaresa, 13 40017 San Giovanni Persiceto Bologna-Italy	13					
	1121-CPD-AD5075	EN1154:1996+A1:2002	3	8	3	1	1

CE	ASSA ABLOY Italia S.p.A. Via Bovaresa, 13 40017 San Giovanni Persiceto Bologna-Italy	13					
	1121-CPD-AD5076	EN1154:1996+A1:2002	3	8	4	1	1





# DC460

## Technical attributes

Technical attributes	
Fix closing force	EN2 or EN3 or EN4
Door width up to	850 mm / 950 mm / 1100 mm
Max door weight	120 kg
Max. opening angle	130°
Closing speed	Variable between 130° - 15°
Latching speed	Variable between 15° - 0°
Backcheck	No
Weight	5.0 kg
Height	40 mm
Length	308 mm
Width	108 mm
Body adjustment within cement box	Vertical 4 mm, side 6 mm, front 8 mm, angular 2°
Direction	Left/right handed double action doors
Hold-open mode	90°/105°/non hold-open
Certified in compliance with	EN1154
CE marking for building products	Yes
Suitable for fire doors	Yes

### The advantages at a glance

Customer segment	Advantages
Project planners	<ul style="list-style-type: none"> <li>- Extensive range of uses: Fire and smoke protection doors as well as standard doors</li> <li>- Particularly suitable in case of double action glass doors</li> <li>- Recommended for thin slabs</li> <li>- Hold-open at 90°, 105° and non hold-open</li> <li>- Variety of available spindles: square Italian, rectangular German</li> <li>- Architectural finishes: Cover plates and eyelets in polished stainless steel, satin stainless steel, polished brass</li> </ul>
Builders	<ul style="list-style-type: none"> <li>- Universal for left/right handed and double action doors</li> <li>- Large range of adjustment within cement box to solve possible alignment problems on the site without taking down the door</li> </ul>
Trade	<ul style="list-style-type: none"> <li>- Reduced inventory costs due to modular product range</li> <li>- One single product suitable for all fitting applications</li> </ul>
User	<ul style="list-style-type: none"> <li>- Easier door opening and improved accessibility due to Cam-Motion® technology</li> </ul>

Our service for you: here you can see the individual advantages of our door closer models for your respective field of business.

You can find the complete specification on the internet at: [www.assaabloy.de](http://www.assaabloy.de)

### Specifications for DC460

ASSAABLOY floor spring DC460 featuring Cam-Motion® technology in compliance with EN1154

- Closing power EN sizes 2,3,4 for doors up to 120 kg and 1100 mm wide
- Closing speed, latch speed adjustable from top regulating valves
- CE approved
- 40 mm Height
- Suitable for left/right handed double action doors

### Accessories:

- AC115 - Reversible bottom arm Italian spindle
- AC393 - Reversible bottom arm German spindle
- AC8 - Double action top pivot
- AC375 - Double action top pivot
- AC583 - Right and left bottom arm. Socket for Italian square spindle.
- AC392 - Right & left bottom arm. Socket for German rectangular spindle.
- AC384 - Top pivot for left or right doors
- AC612 - Sealing Compound for floor springs
- AC616 - Cover Plate

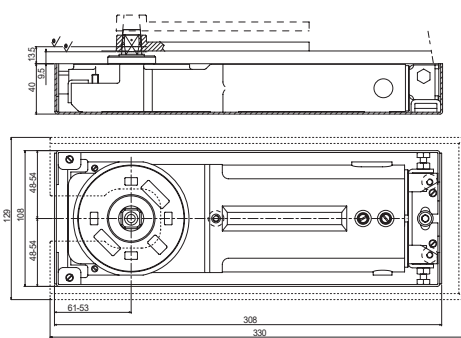
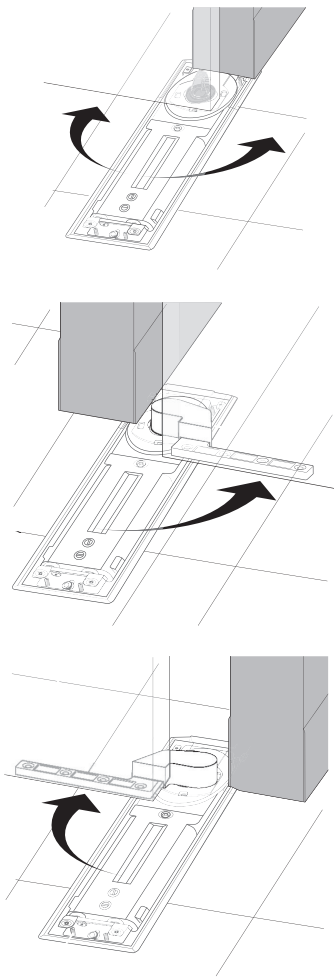
### Colour:

- Polished stainless steel
- Satin stainless steel

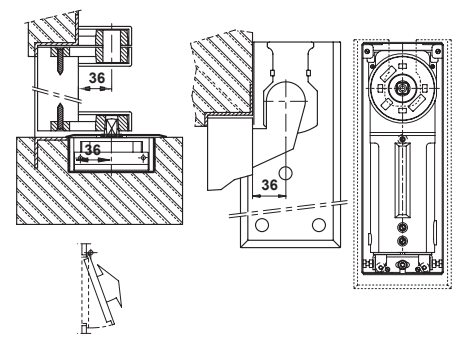
# DC460

## Dimensional drawings and accessories

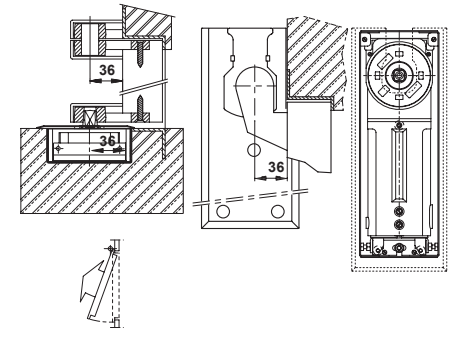
Floor springs



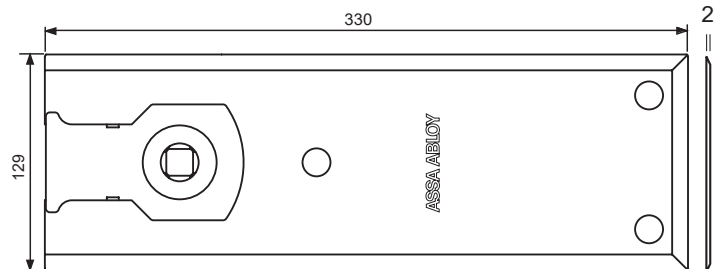
Double action door mounting.



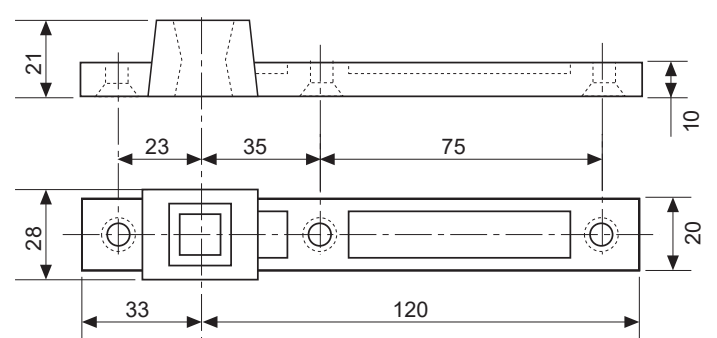
Left-hand door mounting (DIN Right)



Right-hand door mounting (DIN Left)



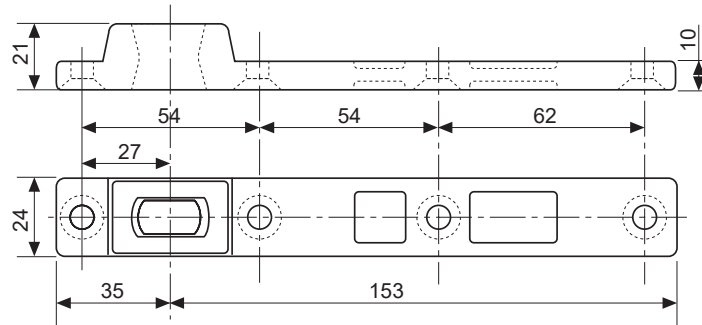
**AC616**  
Available in satin stainless steel, polished stainless steel and polished brass.



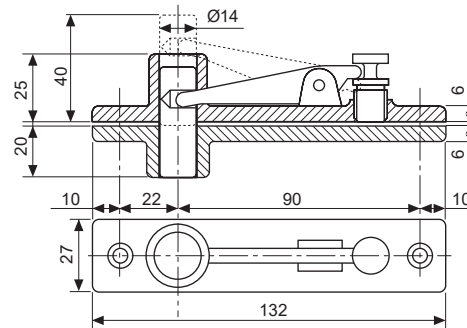
**AC115**  
Reversible bottom arm in steel for double action doors. Socket for Italian squared spindle.

# DC460

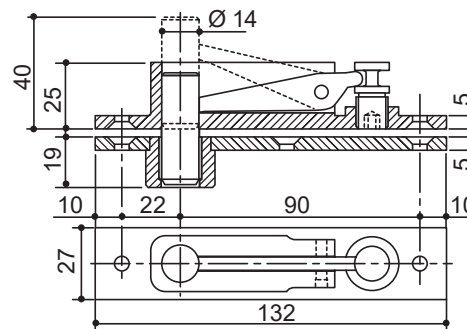
## Accessories



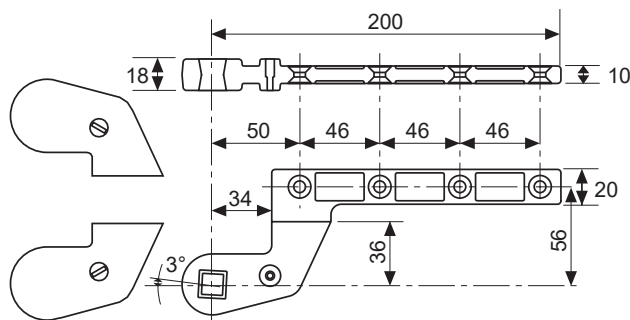
**AC393**  
Reversible bottom arm in steel for double action doors. Socket for German rectangular spindle.



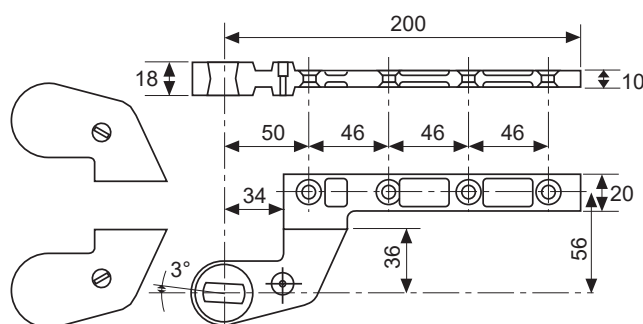
**AC8**  
Double action top pivot.



**AC375**  
Double action top pivot in full steel with self lubricating bushing.



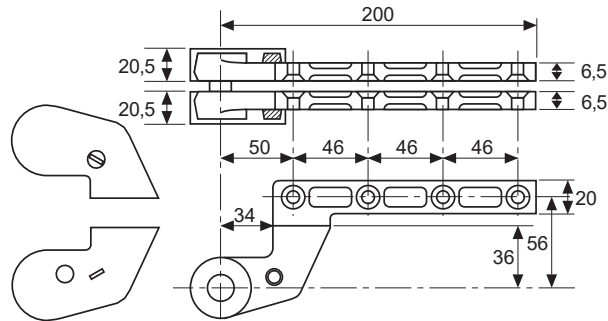
**AC583**  
Right and left bottom arm in steel for single action doors, 36 mm. offset. Socket for Italian square spindle. Silver or black painted.



**AC392**  
Right and left bottom arm in steel for single action doors, 36 mm offset.

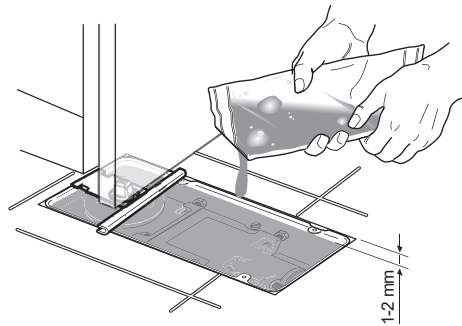
# DC460

## Accessories



### AC384

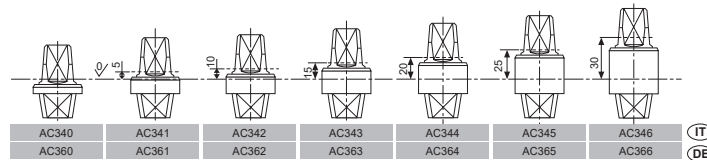
Right and Left Top Arm in full steel, 36 mm offset. Silver or black painted ABS cover.



### AC612

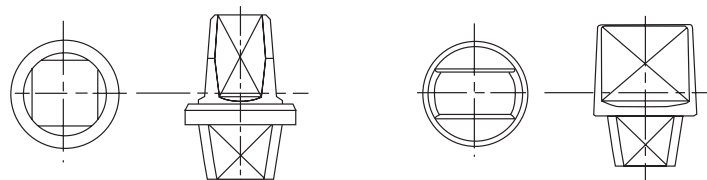
Sealing Compound for floor springs.

### Detachable spindles



### Detachable spindles

Italian spindle - square shape (left image) German spindle - flat-conical shape (right image)



## Order placement information

Designation/ Item	Order no.	Designation/ Item	Order no.
DC460Floorspringsize2withHold-Openat105°	<b>DCE6012TSW</b>	AC363Detachable Italian Spindle h = 15 mm - zinc plated	<b>M A 0 3 6 3 S 0</b>
DC460Floorspringsize2withHold-Openat90°	<b>DCE6062TSW</b>	AC364Detachable Italian Spindle h = 20 mm - zinc plated	<b>M A 0 3 6 4 S 0</b>
DC460Floorspring size2 without Hold-Open	<b>D C E 6 0 9 2 T S W</b>	AC365Detachable Italian Spindle h = 25 mm - zinc plated	<b>M A 0 3 6 5 S 0</b>
DC460Floorspringsize3withHold-Openat105°	<b>DCE6013TSW</b>	AC366Detachable Italian Spindle h = 30 mm - zinc plated	<b>M A 0 3 6 6 S 0</b>
DC460Floorspringsize3withHold-Openat90°	<b>DCE6063TSW</b>	AC115Reversiblebottom arm in steel for double action doors. Socketfor Italian Spindle	<b>M A 0 1 1 5 S 0</b>
DC460Floorspring size3 without Hold-Open	<b>D C E 6 0 9 3 T S W</b>	AC393Reversiblebottom arm in steel for double action doors. Socketfor German Spindle	<b>M A 0 3 9 3 S 0</b>
DC460Floorspringsize4withHold-Openat105°	<b>DCE6014TSW</b>	AC8Double action top pivot	<b>M A 0 0 0 8 S 0</b>
DC460Floorspringsize4withHold-Openat90°	<b>DCE6064TSW</b>	AC375Double action top pivot in full steelwith self-lubricating bushing	<b>M A 0 3 7 5 S 0</b>
DC460Floorspring size4 without Hold-Open	<b>D C E 6 0 9 4 T S W</b>	AC583Right and left bottom arm in steel for single action doors,36 mm offset.Socket for Italian spindle. ABScover in silver	<b>M A 0 5 8 3 0 0</b>
AC616 Cover Plate for DC460 Polished Stainless Steel	<b>D C A 0 6 1 6 I W</b>	AC583Right and left bottom arm in steel for single action doors,36 mm offset.Socket for Italian spindle. ABScover in black	<b>M A 0 5 8 3 3 0</b>
AC616Cover PlateforDC460SatinStainlessSteel	<b>DCA0616QW</b>	AC392Right and left bottom arm in steel for single action doors,36 mm offset.Socket for Italian spindle. ABScover in silver	<b>M A 0 3 9 2 0 0</b>
AC340DetachableItalianSpindleh = 0 mm - zinc plated	<b>M A 0 3 4 0 S 0</b>	AC392Right and left bottom arm in steel for single action doors,36 mm offset.Socket for Italian spindle. ABScover in black	<b>M A 0 3 9 2 3 0</b>
AC341DetachableItalianSpindleh = 5 mm - zinc plated	<b>M A 0 3 4 1 S 0</b>	AC384Right and left top arm in full steel,36 mm offset. ABScover in silver	<b>M A 0 3 8 4 0 0</b>
AC342Detachable Italian Spindle h = 10 mm - zinc plated	<b>M A 0 3 4 2 S 0</b>	AC384Right and left top arm in full steel,36 mm offset. ABScover in black	<b>M A 0 3 8 4 3 0</b>
AC343Detachable Italian Spindle h = 15 mm - zinc plated	<b>M A 0 3 4 3 S 0</b>	AC612Sealingcompound for floorsprings	<b>M A 0 6 1 2 S 0</b>
AC344Detachable Italian Spindle h = 20 mm - zinc plated	<b>M A 0 3 4 4 S 0</b>		
AC345Detachable Italian Spindle h = 25 mm - zinc plated	<b>M A 0 3 4 5 S 0</b>		
AC346Detachable Italian Spindle h = 30 mm - zinc plated	<b>M A 0 3 4 6 S 0</b>		
AC360 Detachable Italian Spindle h = 0 mm - zinc plated	<b>M A 0 3 6 0 S 0</b>		
AC361 Detachable Italian Spindle h = 5 mm - zinc plated	<b>M A 0 3 6 1 S 0</b>		
AC362 Detachable Italian Spindle h = 10 mm - zinc plated	<b>M A 0 3 6 2 S 0</b>		

# Floor Springs Ordering Matrix

Select the correct set of floor spring accessories from the below overview covering hold-open devices,

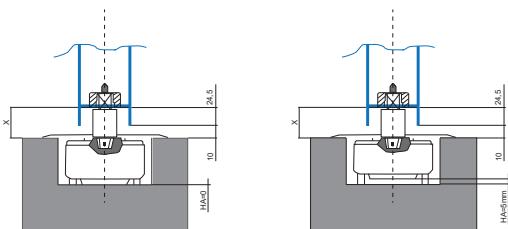
finishes and spindle height to adjust the distance between the door and the floor level.

## Floor spring

EN Size	Hold Open	Art. Number	CE		Max. door leaf width	Max. door leaf weight	Max. opening angle	Double / Single Action	Interior / Exterior	Coverplates			Sealing Compound
										Polished Brass	Satin Stainless Steel	Polished Stainless Steel	
DC450	90°	DCE7293TS0	CE		≤ 950 mm	120 kg		Single Action / Double Action	Interior		DCA0619QR	DCA0619IR	MA0612S0
		105°											
	90°	DCE7294TS0	CE		≤ 1100 mm				Interior + Exterior				
		105°											
DC460	90°	DCE6092TSW	CE		≤ 850 mm	120 kg		Single Action / Double Action	Interior		DCA0616QW	DCA0616IW	
		105°											
	90°	DCE6093TSW	CE		≤ 950 mm				Interior + Exterior				
		105°											
	90°	DCE6094TSW	CE		≤ 1100 mm								
		105°											DCE6064TSW
90°	DCE6014TSW	CE		≤ 1100 mm									
	105°											DCE6014TSW	
DC475	90°	DCE7490TSR	CE		≤ 1400 mm	300 kg		Single Action / Double Action	Interior + Exterior	DCA0269PR	DCA0269HR	DCA0269IR	
		105°											DCE7410TSR
DC477	90°	DCE7980TSR	CE		≤ 1100 mm	170 kg		Single Action / Double Action	Interior	DCA0534PR	DCA0534HR	DCA0534IR	
		105°											DCE7910TSR
DC420	90°	DCE4292TSR	CE		≤ 850 mm	100 kg		Single Action / Double Action	Interior		DCA0307PR	DCA0307HR	DCA0307IR
		105°											
	90°	DCE4293TSR	CE		≤ 950 mm								
		105°											DCE4263TSR
	90°	DCE4212TSR	CE		≤ 950 mm								
		105°											DCE4213TSR
90°	DCE4294TSR	CE		≤ 1100 mm									
	105°											DCE4264TSR	
90°	DCE4214TSR	CE		≤ 1100 mm									
	105°											DCE4214TSR	

## Floor spring model

	HA min	HA max	AC340 / AC360	AC341 / AC361	AC342 / AC362	AC343 / AC363	AC344 / AC364	AC345 / AC365	AC346 / AC366	X	
										Xmin	Xmax
DC420	5,5 mm	10,5 mm								5,5 mm	40,5 mm
DC460	9,5 mm	13,5 mm								9,5 mm	43,5 mm
DC477	5,5 mm	15 mm	0 mm	5 mm	10 mm	15 mm	20 mm	25 mm	30 mm	5,5 mm	45 mm
DC475	4 mm	13,5 mm								4 mm	43,5 mm
DC450	9,5 mm	11,5 mm								9,5 mm	41,5 mm



Legend:

HA = Height adjustment within the cement box

SH = Spindle Height

X = Floor clearance

Formula

$X = HA + SH$

Example

$X = 34,5 \text{ mm}$

FloorSpring= DC420

HA min = 5,5 mm

HA max = 10,5 mm

34,5 mm = (5,5 mm or 10,5 mm) + SH;

SHmax = 29 mm AC345/AC365;

SHmin = 24,5 mm AC344/AC364;

# Floor Springs Ordering Matrix

## Extended Spindle (0 - 30mm)

Spindle Type	Square type (Italian)		Flat-conical type (German)	
	Extension	Name	Art.Nr.	Name
0 mm	AC360	MA0360S0	AC340	MA0340S0
5 mm	AC361	MA0361S0	AC341	MA0341S0
10 mm	AC362	MA0362S0	AC342	MA0342S0
15 mm	AC363	MA0363S0	AC343	MA0343S0
20 mm	AC364	MA0364S0	AC344	MA0344S0
25 mm	AC365	MA0365S0	AC345	MA0345S0
30 mm	AC366	MA0366S0	AC346	MA0346S0

## Top pivot

## Bottom pivot

Single/Double	Top pivot				Bottom pivot					
	Single action	Double action			Single action		Double action			
Pivot name	A384	AC8	AC118	AC375	AC583	AC392	AC2	AC213	AC115	AC393
Material	Steel	Zamac	Zamac	Steel	Steel	Steel	Brass	Steel	Steel	Steel
Adjustment			adjustable							
Max. Door Weight					≤ 300kg	≤ 300kg	≤ 100kg	≤ 170kg	≤ 300kg	≤
Spindle type					square type	flat-conical	square type	square type	square type	flat-conical
	MA038400 - Silver MA038430 - Black	MA0008S0	MA0118S0	MA0375S0	MA058300 - Silver MA058330 - Black	MA039200 - Silver MA039230 - Black	MA0002S0	MA0213S0	MA0115S0	MA0393S0



Cover plates in polished brass, satin stainless steel and polished stainless steel.

## RZ100

### Smokedetector station RZ100with integrated power supply and smokedetector to control arrestor devices

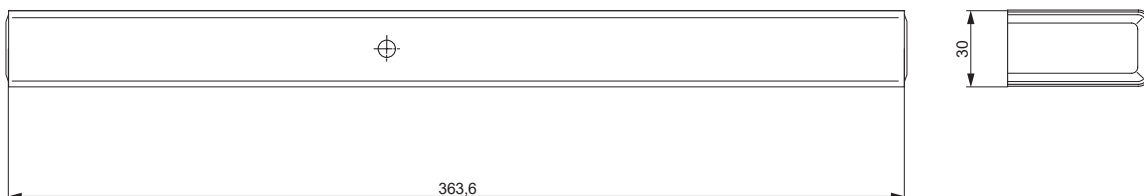


#### ASSAABLOY RZ100

- The smoke detector unit RZ100 can supply and control all of the ASSAABLOY electromechanical holdopen devices with 24VDC. In case of fire, smoke or power failure, the connected hold-open device whether integrated into the guide rail or fitted externally, will be de-energised, allowing the door to close preventing the spread of fire and smoke.
- Hold-open device Z-6.5-2166 approved by general DIBt inspection authority

#### Characteristics of RZ100

- The smoke detector unit RZ100 includes a smoke chamber, control-unit and power supply in one product. The unit works by an optical smoke detection with integrated measuring chamber monitoring and optical soiling indicator.
- Indicators: Green LED-operation mode; Red LED-Alarm; Yellow LED(flush) - pollution
- Equipped for the connections of further: smoke detectors; external release button
- Integrated potential-free alarm relay
- Approved for use with all ASSAABLOY arrestor systems





# RZ100

## Technical attributes

Technical attributes	
Class of protection	IP20
General DIBt inspection authorities approval	Z-6.5-2166
Input voltage	230 V AC
Output voltage	24 V DC
Max. output current for fixing device	300 mA
Ceiling smoke detector	Max. 2 pieces (Hekatron ORS142 or TDS247)
Floating switchover contact	24 V, switching capacity 1A (ohmic load)
LED display	Operating / alarm / impurification
Functional test button	Integrated
Cable inlet	Surface and flush mount
Ambient temperature	-5 °C to +50 °C
Terminal for external release button	Yes

You can find the complete specification on the internet at: [www.assaabloy.de](http://www.assaabloy.de)

### Specifications for RZ100

ASSAABLOY Smoke Detector Station RZ100 with integrated power supply and smoke detector to control arrestor devices

- Optical smoke detector
- Alarm threshold monitoring with contamination indicator
- 300 mA output current for arrestor devices
- Input voltage 230 V AC
- 24 V DC output voltage
- Integrated functions test button
- Floating switchover contact

### Accessories:

- Ceiling smoke detector ORS142 / TDS 247
- Smoke detector station RZ100

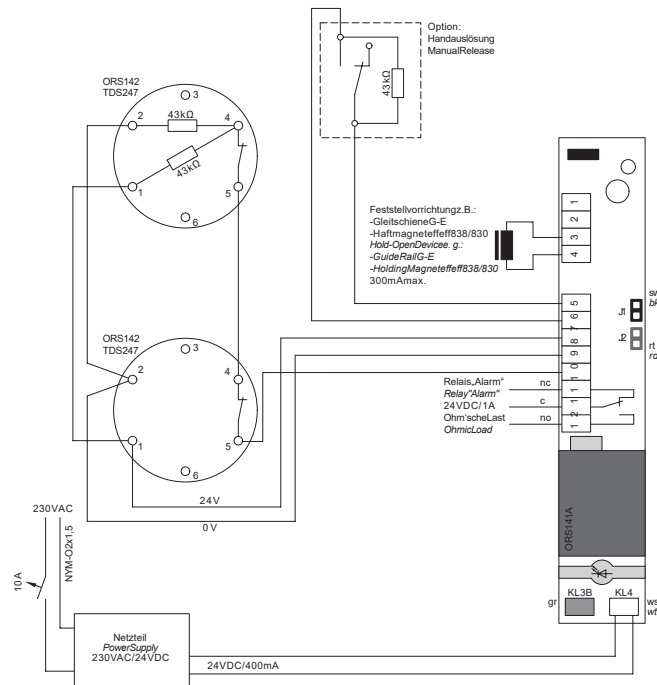
### Colour:

- Silver EV1
- White, similar to RAL9016
- Stainless steel
- Customised finish

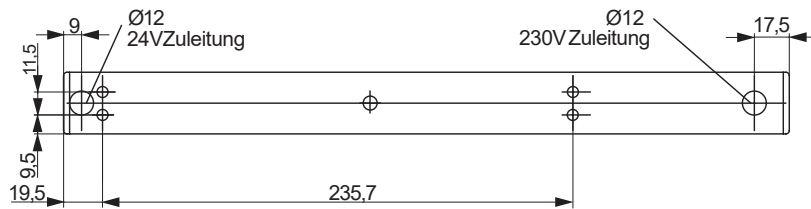
# RZ100

## Technical drawings

Wiring diagram

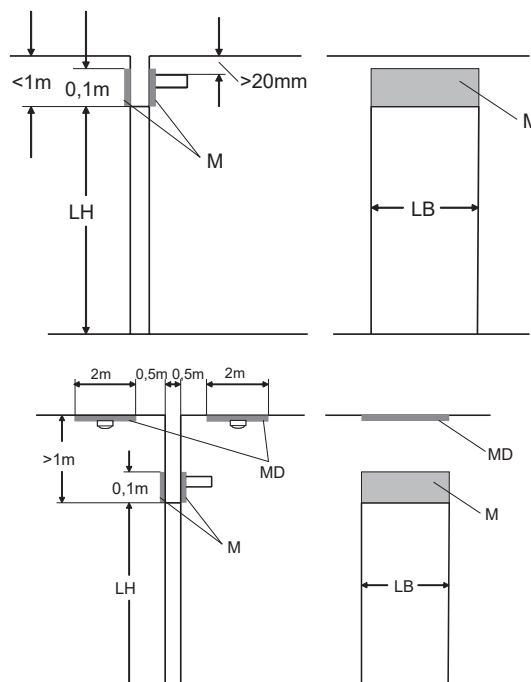


Drilling template



Number of detectors

M = mounting area  
RZ100  
LH = headroom  
LH = clearance width



Number of detectors

M = mounting area  
RZ100  
MD = mounting area-co-  
ver dedector  
LH = headroom  
LH = clearance width

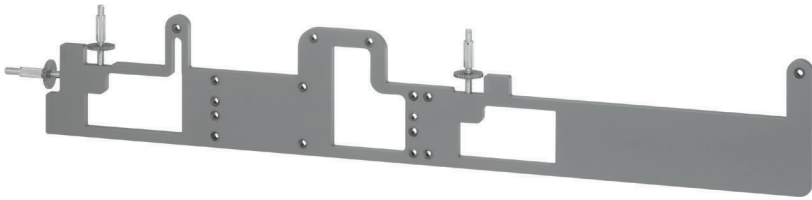
# RZ100

## Order placement information

Designation/ Item	Order no.
RZ100, silver EV1	DCRZ100---DEV1-
RZ100, white, similar to RAL9016	DCRZ100---D9016
RZ100, stainless steel, ASSAABLOY design	DCRZ100---D35--
RZ100, customised finish	DCRZ100---DXXXX
Ceiling mounted smoke detector RZ101/ORS142 with base, white, similar to RAL9010	DCRZ101----9010

## A176

### Universal metal drilling gauge for drilling of the fixing holes on door and frame



#### ASSAABLOY A176

- Universal metal drilling gauge for drilling of the fixing holes on door and frame
- Can be used for drilling of the fixing holes on hinge side for door closers DC700, DC500, DC300, DC200, DC135 and guide rails G193, G195, G-E, G-Sand link arms L190, L191
- Can alternatively be used for fixing holes drilling for direct and DIN mounting of the door closer body acc. to supplement 1 of DIN EN1154
- The gauge alignment on the door can easily be adjusted by three screws in a vertical and horizontal direction

Designation / Item	Order no.
Drilling gauge A176, ASSAABLOY door closers	DCA176-----

Not usable with guide rails G46x



ASSA ABLOY is the global leader in door opening solutions, dedicated to satisfying end-user needs for security, safety and convenience

**ASSA ABLOY**

ASSA ABLOY EMEA  
Dukes Court  
Duke Street  
Woking  
Surrey  
GU21 5BH  
United Kingdom

Tel: +44(0)1483712588  
info@assaabloy.com

[www.assaabloy.com](http://www.assaabloy.com)