

# ARC-51 N

## Overhead Concealed Door Closer and 'Springless' Pivot

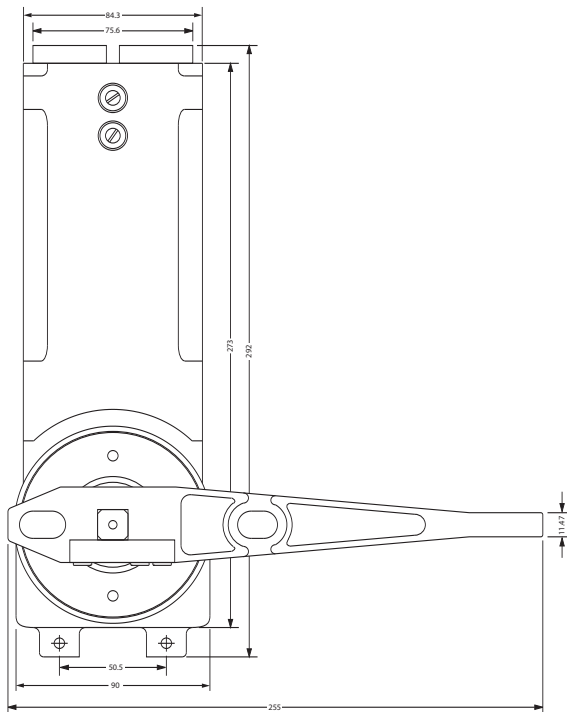
The Adams Rite ARC-51N is designed to provide a controlled closing of a single or double action aluminium door.



### Key Benefits

- Suitable for use on Aluminium doors
- Tested to EN1154
- Tested to 500,000 cycles
- Dual closing speeds allowing flexibility in its closing action
- Three levels of spring strength
- Side load and end load versions available as standard
- Used successfully in security doorset testing
- Three spindle length options
- Spring less version fits standard section preparation
- Top arms and brackets to suit most applications
- Heavy duty pivot supplied as standard
- Body thickness only 37.4mm
- Heavy duty bottom pivot rated to maximum door weight 120kg

## Dimensions



Spring Strength	Maximum Door Width	Maximum Door Height	Maximum Door Weight
Light	850mm	2500mm	40kg
Medium	950mm	2500mm	60kg
Heavy	1100mm	2500mm	80kg

Spindle Length	From body to end spindle	Total depth
14mm	18mm	56mm
18mm	22mm	60mm
22mm	26mm	64mm

## Specifications

- Dimensions:** 292mm x 90mm.
- Concealed Thickness:** 37.4mm.
- Door Suitability:** See above for maximum door sizes/weights.
- Closing Speed:** Initial closing and latching speeds are factory preset and fully adjustable on site.
- Lubrication:** Stable hydraulic fluid suitable for most climatic conditions and constant lubrication.
- Features:** Built-in positive back stop and optional 90° hold open position.
- Note:** On single action centre-pivot doors it is recommended that a local door stop is fitted at the head to prevent the door swinging through when using electric strikes and latches.

## Ordering Codes

### Accessories

- DC51-P-A1** ARC-51N STD SIDE LOAD ARM, CHANNEL & FIXING BLOCK. NO TAG PLATE
- DC51-P-A2** ARC-51N SIDE LOAD ARM AFT, CHANNEL & FIXING BLOCK. NO TAG PLATE
- DC51-P-A3** ARC-51N END LOAD ARM, CHANNEL & FIXING BLOCK. NO TAG PLATE
- 5100-0130** ARC-51N 70MM F BRACKET AND L BRACKET KIT FOR TRANSOM CLOSER
- 5100-0160** ARC-51N 65MM F BRACKET AND L BRACKET KIT FOR TRANSOM CLOSER
- 5100-0120** ARC-51N STD DUTY BOTTOM PIVOT ASSEMBLY
- 5110-0210** ARC 51N HEAVY DUTY BOTTOM PIVOT ASSEMBLY
- 5100-0111** ARC-51N BRANDED TAG PLATE C/W SCREWS

### Transom Closer including accessories

- 5112-1010N** ARC-51N LIGHT SPRING CLOSER NHO SIDE LOAD 70MM PIVOT
- 5112-1990N** ARC-51N LIGHT SPRING CLOSER NHO SIDE LOAD AFT 70MM PIVOT
- 5112-1992N** ARC-51N LIGHT SPRING CLOSER NHO SIDE LOAD AFT 65MM PIVOT
- 5112-1995N** ARC-51N LIGHT SPRING CLOSER NHO END LOAD AFT 65MM PIVOT
- 5112-1997N** ARC-51N LIGHT SPRING CLOSER NHO END LOAD AFT 70MM PIVOT
- 5112-2010N** ARC-51N LIGHT SPRING CLOSER HO SIDE LOAD 70MM PIVOT
- 5112-2990N** ARC-51N LIGHT SPRING CLOSER HO SIDE LOAD AFT 70MM PIVOT
- 5112-2992N** ARC-51N LIGHT SPRING CLOSER HO SIDE LOAD AFT 65MM PIVOT
- 5112-2995N** ARC-51N LIGHT SPRING CLOSER HO END LOAD AFT 65MM PIVOT
- 5112-2997N** ARC-51N LIGHT SPRING CLOSER HO END LOAD AFT 70MM PIVOT
- 5113-1010N** ARC-51N MEDIUM SPRING CLOSER NHO SIDE LOAD 70MM PIVOT
- 5113-1990N** ARC-51N MEDIUM SPRING CLOSER NHO SIDE LOAD AFT 70MM PIVOT
- 5113-1992N** ARC-51N MEDIUM SPRING CLOSER NHO SIDE LOAD AFT 65MM PIVOT
- 5113-1995N** ARC-51N MEDIUM SPRING CLOSER NHO END LOAD AFT 65MM PIVOT
- 5113-1997N** ARC-51N MEDIUM SPRING CLOSER NHO END LOAD AFT 70MM PIVOT
- 5113-2010N** ARC-51N MEDIUM SPRING CLOSER HO SIDE LOAD 70MM PIVOT
- 5113-2990N** ARC-51N MEDIUM SPRING CLOSER HO SIDE LOAD AFT 70MM PIVOT
- 5113-2992N** ARC-51N MEDIUM SPRING CLOSER HO SIDE LOAD AFT 65MM PIVOT
- 5113-2995N** ARC-51N MEDIUM SPRING CLOSER HO END LOAD AFT 65MM PIVOT
- 5113-2997N** ARC-51N MEDIUM SPRING CLOSER HO END LOAD AFT 70MM PIVOT
- 5114-1010N** ARC-51N HEAVY SPRING CLOSER NHO SIDE LOAD 70MM PIVOT
- 5114-1990N** ARC-51N HEAVY SPRING CLOSER NHO SIDE LOAD AFT 70MM PIVOT
- 5114-1992N** ARC-51N HEAVY SPRING CLOSER NHO SIDE LOAD AFT 65MM PIVOT
- 5114-1995N** ARC-51N HEAVY SPRING CLOSER NHO END LOAD AFT 65MM PIVOT
- 5114-1997N** ARC-51N HEAVY SPRING CLOSER NHO END LOAD AFT 70MM PIVOT
- 5114-2010N** ARC-51N HEAVY SPRING CLOSER HO SIDE LOAD 70MM PIVOT
- 5114-2990N** ARC-51N HEAVY SPRING CLOSER HO SIDE LOAD AFT 70MM PIVOT
- 5114-2992N** ARC-51N HEAVY SPRING CLOSER HO SIDE LOAD AFT 65MM PIVOT
- 5114-2995N** ARC-51N HEAVY SPRING CLOSER HO END LOAD AFT 65MM PIVOT
- 5114-2997N** ARC 51N HEAVY SPRING CLOSER HO END LOAD AFT 70MM PIVOT

### Springless Door Pivot

- 5119-0010N** ARC-51N LESS SPRING SIDE LOAD 70MM PIVOT
- 5119-0090N** ARC-51N LESS SPRING SIDE LOAD AFT 70MM PIVOT
- 5119-0092N** ARC-51N LESS SPRING SIDE LOAD AFT 65MM PIVOT
- 5119-0095N** ARC-51N LESS SPRING END LOAD AFT 65MM PIVOT
- 5119-0097N** ARC-51N LESS SPRING END LOAD AFT 70MM PIVOT

**Note:** This list covers standard 14mm length spindle options, for different lengths replace the 3rd digit in code with a '4' for 18mm and '2' for 22mm

# ARC-53

## Floor Spring

Adams Rite Floor Springs are designed to provide a controlled closing of single or double action timber, steel or aluminium doors.



## Key Benefits

- Suitable for use on aluminium, timber and steel doors
- 90° hold-open facilities and an adjustable top pivot for ease of installation
- The Floor Spring can be adjusted within the cement box to provide flexibility during installation
- Comprehensive fixing pack included
- Dual closing speeds to allow flexibility in its closing action

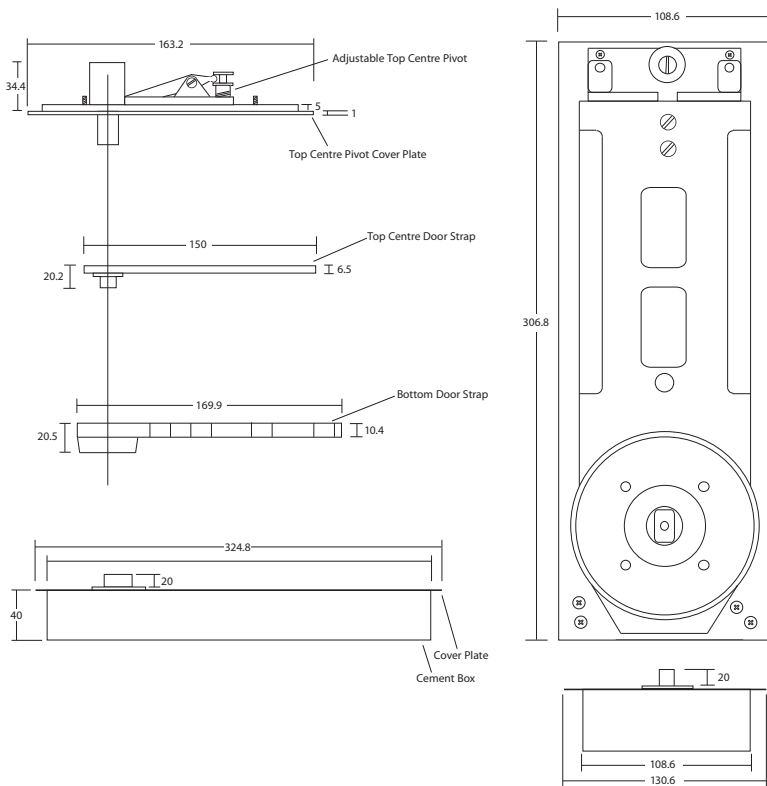
## Dimensions

Maximum Door Width	Maximum Door Weight	Maximum Door Opening	Maximum Door Thickness
950mm	100kg	130° (in each direction)	44mm

## Specifications

- Dimensions:** Cover Plate: 324 x 130mm.  
**Cement Box:** 306 x 108 x 40mm.  
**Position Adjustment:** Height: 4mm, width: 10mm, length: 7mm.  
**Door Suitability:** See opposite for maximum door sizes/weights.  
**Closing Speed:** Two regulating valves control closing movement. (See fitting instructions for details).  
**Cycle Testing:** 500,000 cycles (single action).  
**Amb. Working Temp:** -15°C to +40°C.  
**Features:** Optional 90° hold open available.  
**Cover Plate Finishes:** Brushed Stainless Steel.  
**Maintenance:** Check quarterly to ensure all fixings are secure and adjust, if necessary, the closing and latching speed so that the door operates both functionally and smoothly.

- Notes:** On single action centre-pivot doors it is recommended that a local door stop is fitted at the head to prevent the door swinging through when using electric strikes and latches. A door stop should always be fitted in order to prevent damage being caused to the door frame, adjacent wall finishes and furthermore to restrict the operating of the door closer past its maximum opening limitations. Do not use the optional backcheck facility as a door stop.



## Ordering Codes

- 5333-1012** Medium spring, no hold-open, standard application with brushed stainless steel cover plate, c/w top pivot and door straps.  
**5333-2012** Medium spring, 90° hold-open, standard application with brushed stainless steel cover plate, c/w top pivot and door straps.



# DC200 & DC300

## Rack and Pinion Surface Mounted Door Closer



The ASSA ABLOY DC200 and DC300 is a compact shaped, surface mounted adjustable spring strength door closer designed for installation on metal and timber doors.



### Key Benefits

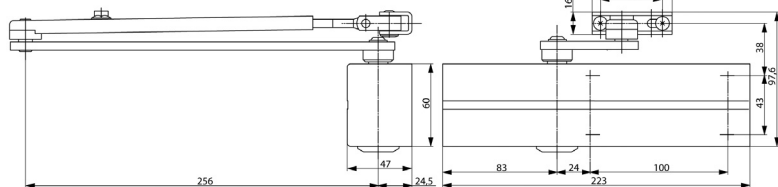
- **Non-handed**
- **Variable closing force**
  - DC200 EN 2-4
  - DC300 EN 3-6
- **Adjustable closing and latching speed**
- **Adjustable back check above 75°**
- **Tested and CE marked to EN 1154**
- **14mm height adjustable arm system**
- **Opening angle up to 180°**
- **Supplied in silver finish**
- **Suitable for use on fire and smoke doors**
- **Body and arms supplied separately to allow customer customisation**
- **Adjustable hold open arm available**

### Related Hardware

L190 Non hold open arm ~ L191 Adjustable hold open arm ~ A120 Mounting plate ~ A154 Parallel arm bracket

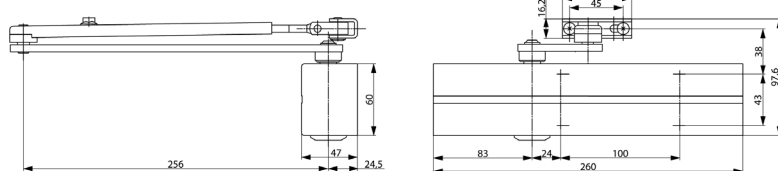
## Dimensions

### DC200



CE	ASSA ABLOY Sicherheitstechnik GmbH Bildstockstraße 20 72458 Albstadt	10
	1162-CPD-0484 EN1154:1996+A1:2003 4 8 2 6 3 1 1 4	
Dangerous substances: None		

### DC300



CE	ASSA ABLOY Sicherheitstechnik GmbH Bildstockstraße 20 72458 Albstadt	10
	1162-CPD-0484 EN1154:1996+A1:2003 4 8 2 6 3 1 1 4	
Dangerous substances: None		

Technical attributes	
Variable adjustable closing force	EN 2-4
Door widths up to	1100 mm
Fire and smoke protection	Yes
Door swing direction	Left / Right hand door
Closing speed	Variable between 180°-0°
Latching speed	Variable between 15°-0°
Backcheck	Variable above 75°
Hold-open mode (with hold open link arm L191)	Adjustable 75°-150°, can be enabled and disabled
Weight	2.2 kg
Height	60 mm
Depth	47 mm
Length	223 mm
Certified in compliance with	EN 1154
CE marking for building products	Yes

Technical attributes	
Variable adjustable closing force	EN 3-6
Door widths up to	1400 mm
Fire and smoke protection	Yes
Door swing direction	Left / Right hand door
Closing speed	Variable between 180°-0°
Latching speed	Variable between 15°-0°
Backcheck	Variable above 75°
Hold-open mode (with hold open link arm L191)	Adjustable 75°-150°, can be enabled and disabled
Weight	2.4 kg
Height	60 mm
Depth	47 mm
Length	260 mm
Certified in compliance with	EN 1154
CE marking for building products	Yes

## Specifications

### Specifications for DC200:

ASSA ABLOY Door Closer DC200 featuring rack and pinion technology in compliance with EN 1154

- Closing power adjustable, EN size 2-4, for doors up to 1100 mm wide
- Closing speed, latch speed and backcheck adjustable from front facing regulator valves
- Supplied with integrated concealed mounting plates suitable for fire and smoke protection doors
- CE approved
- 14 mm height adjustable arm system for ease of fitting
- Suitable for Left and Right hand doors

### Specifications for DC300:

ASSA ABLOY Door Closer DC300 featuring rack and pinion technology in compliance with EN 1154

- Closing power adjustable, EN size 3-6, for doors up to 1400 mm wide
- Closing speed, latch speed and backcheck adjustable from front facing regulator valves
- Supplied with integrated concealed mounting plate, suitable for fire and smoke protection doors
- CE approved
- 14 mm height adjustable arm system for ease of fitting
- Suitable for Left and Right hand doors

## Ordering Codes

<b>DC200</b>	Rack and Pinion Door Closer Adjustable EN2-4 with BC
<b>DC300</b>	Rack and Pinion Door Closer Adjustable EN3-6 with BC
<b>L190</b>	Standard Link Arm
<b>L191</b>	Adjustable Hold Open Link Arm
<b>A120</b>	Mounting Plate

<b>A154</b>	Parallel Arm Bracket for use with link arm
<b>G193</b>	Guide Rail Arm
<b>A152</b>	Mechanical hold open device for use with guide rail
<b>A104</b>	Angle bracket for use with guide rail

# DC500 and DC700

## CAM Motion Surface Mounted Door Closer



The ASSA ABLOY DC500 and DC700 is a compact shaped, surface mounted adjustable spring strength cam action door closer which has a reduced opening force to aid compliance with Approved Doc M.



### Key Benefits

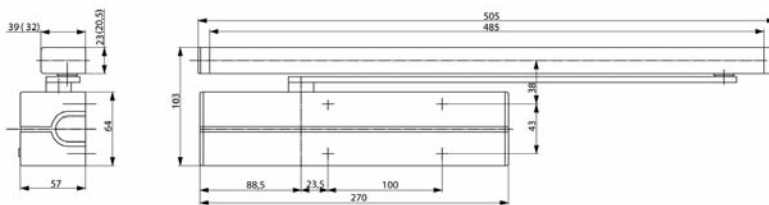
- **CAM Motion technology**
- **Non-handed**
- **Variable closing force**
  - DC500 EN 1-4
  - DC700 EN 3-6
- **Adjustable closing and latching speed**
- **Tested and CE marked to EN 1154**
- **Opening angle up to 170°**
- **Supplied in silver finish**
- **Adjustable back check (DC700 only)**
- **Suitable for use on fire and smoke doors (not with hold open)**
- **Body and arms supplied separately to allow customer customisation**
- **Hold open device available**

### Related Hardware

A120 Mounting plate ~ G193 Guide rail arm ~ A152 Mechanical hold open device for guide rail ~ A104 Angle bracket for guide rail ~ A130 Mounting plate for G193 guide rail

## Dimensions

### DC500

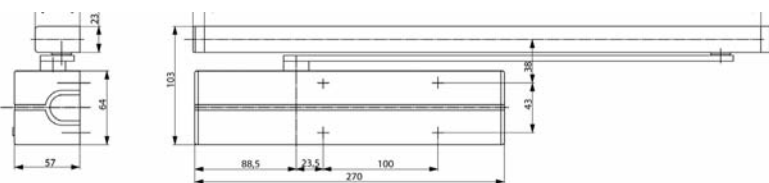


<b>CE</b>	Abloy OY	10
	PO Box 108 80101 Joensuu, Finland	
1162-CPD-0464	EN 1154:1996+A1:2003	3 8 4 1 1 4

#### Technical attributes

Variable adjustable closing force	EN 1-4
Door widths up to	1100 mm
Fire and smoke protection	Yes
Door swing direction	Left / Right hand door
Standard and frame installation	Yes
Closing speed	Variable between 170°-0°
Latching speed	Variable between 15°-0°
Opening angle hinge side	Ca. 170°
Opening angle non-hinge side	Ca. 120°
Weight	2.7 kg
Height	64 mm
Depth	57 mm
Width	270 mm
Certified in compliance with	EN 1154
CE marking for building products	Yes

### DC700



<b>CE</b>	Abloy OY	10
	PO Box 108 80101 Joensuu, Finland	
1162-CPD-0464	EN 1154:1996+A1:2003	3 8 6 3 1 1 4

#### Technical attributes

Variable adjustable closing force	EN 3-6
Door widths up to	1400 mm
Fire and smoke protection	Yes
Door swing direction	Left / Right hand door
Standard and frame installation	Yes
Closing speed	Variable between 170°-0°
Latching speed	Variable between 15°-0°
Backcheck	Variable above 75°
Opening angle hinge side	Ca. 170°
Opening angle non-hinge side	Ca. 120°
Weight	2.7 kg
Height	64 mm
Depth	57 mm
Length	270 mm
Certified in compliance with	EN 1154
CE marking for building products	Yes

## Specifications

### Specifications for DC500:

ASSA ABLOY Door Closer DC500 with CAM Motion Technology and guide rail in compliance with EN 1154

- Closing power continuously adjustable, EN size 1-4, for doors up to 1100 mm wide
- Closing speed and latching speed continuously adjustable from front
- Supplied with integrated concealed mounting plate, suitable for fire and smoke protection doors
- CE approved
- 14 mm height adjustable arm system for ease of fitting
- Standard installation on hinge and non-hinge sides of the door
- Suitable for left and right hand doors

### Specifications for DC700:

ASSA ABLOY Door Closer DC700 with CAM Motion Technology and guide rail in compliance with EN 1154

- Closing power adjustable, EN size 3-6, for doors up to 1400 mm wide
- Closing speed, latch speed and backcheck adjustable from front facing regulator valves
- Supplied with integrated concealed mounting plate, suitable for fire and smoke protection doors
- CE approved
- 14 mm height adjustable arm system for ease of fitting
- Standard installation on hinge and non-hinge sides of the door
- Suitable for left and right hand doors

## Ordering Codes

<b>DC500</b>	CAM Motion Door Closer Adjustable EN2-4
<b>DC700</b>	CAM Motion Door Closer Adjustable EN3-6 with BC
<b>A120</b>	Mounting Plate
<b>A130</b>	Mounting plate for G193 guide rail

<b>G193</b>	Guide Rail Arm
<b>A152</b>	Mechanical hold open device for use with guide rail
<b>A104</b>	Angle bracket for use with guide rail



# DC840 and DC860

## Concealed CAM Motion Door Closer



The ASSA ABLOY DC840 and DC860 is a concealed adjustable spring strength cam action door closer which has a reduced opening force to aid compliance with Approved Doc M.



### Key Benefits

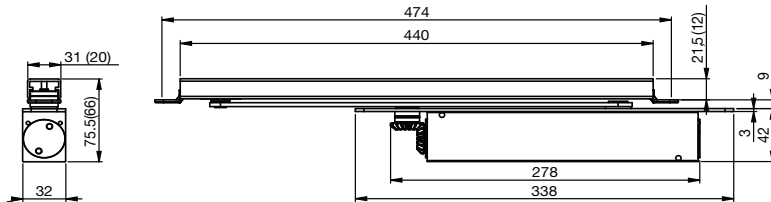
- Concealed within top rail of door
- CAM Motion technology
- Non-handed
- Variable closing force
  - DC840 EN 1-4
  - DC860 EN 1-5
- Adjustable closing and latching speed
- Back check
- Tested and CE marked to EN 1154
- Opening angle up to 120°
- Supplied in silver finish
- Body and arms supplied separately to allow customer customisation
- Hold open device available

### Related Hardware

G892 Standard concealed guide rail arm ~ G893 Large concealed guide rail arm ~  
A152 Mechanical hold open device for guide rail

## Dimensions

### DC840

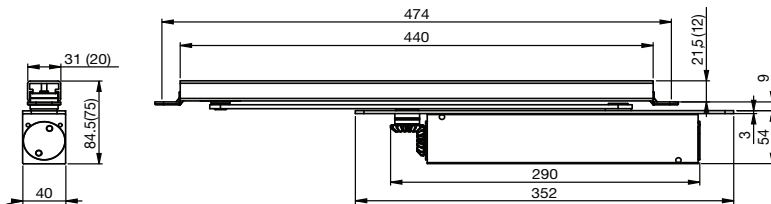


CE	Abloy Oy	09
	PO Box 108 80101 Joensuu, Finland	
0432-CPD-0047	EN1154:1996+A1:2002	3 8 4 1 1 2

#### Technical attributes

Variable adjustable closing force	EN 1 – 4
Door widths up to	1100 mm
Fire and smoke protection (Please check the useability according your local regulations)	Yes
Door swing direction	Left / Right hand door
Closing speed	Variable 120° – 0°
Latching speed	Variable 7° – 0°
Backcheck	Fixed about 80°
Opening angle	Ca. 120°
Weight	2.1 kg
Height	42 mm
Width	32 mm
Length	278 mm
Certified in compliance with	EN 1154
CE mark for building products	Yes

### DC860



CE	Abloy Oy	09
	PO Box 108 80101 Joensuu, Finland	
0432-CPD-0047	EN1154:1996+A1:2002	3 8 5 1 1 2

#### Technical attributes

Variable adjustable closing force	EN 1 – 5
Door widths up to	1250 mm
Fire and smoke protection (Please check the useability according your local regulations)	Yes
Door swing direction	Left / Right hand door
Closing speed	Variable 120° – 0°
Latching speed	Variable 7° – 0°
Backcheck	Fixed about 80°
Opening angle	Ca. 120°
Weight	2.3 kg
Height	51 mm
Width	40 mm
Length	290 mm
Certified in compliance with	EN 1154
CE mark for building products	Yes

## Specifications

### Specifications for DC840:

ASSA ABLOY Concealed Door Closer DC840 with CAM Motion Technology and concealed guide rail in compliance with EN 1154

- Closing power continuously adjustable, EN size 1 - 4
- Closing speed, latching speed and closing force continuously adjustable from top
- With CE marking
- Versions with 4 mm and 8 mm spindle extensions
- Suitable for Left and Right hand doors

### Specifications for DC860:

ASSA ABLOY Concealed Door Closer DC860 with CAM Motion Technology and concealed guide rail in compliance with EN 1154

- Closing power continuously adjustable, EN size 1 - 5
- Closing speed, latching speed and closing force continuously adjustable from top
- With CE marking
- Versions with 4 mm and 8 mm spindle extensions
- Suitable for Left and Right hand doors

## Ordering Codes

- DC840** CAM Motion Concealed Door Closer Adjustable EN 1-4  
**DC860** CAM Motion Concealed Door Closer Adjustable EN 1-5  
**G892** Standard concealed guide rail  
**G893** Large concealed guide rail allows installation of hold open device  
**A152** Mechanical hold open device