

Grade 14 hinges

3288

3288 hinge

ASSA ABLOY

Application:

Hinges for very heavy duty applications.
Journal-supported lift-off hinges.
Right and left handed.
Supplied with 1 x 10g fully threaded countersunk wood screws.
For hinge selection and finishes see Hinges information appendix.
Manufactured from Grade CS4 rolled steel.



Specification:

Allows symmetrical routing. Supplied with 8 wood screws.
(Dimension drawing shows RH hinge.)

Finish:

Product has been successfully type-tested for conformity to BS EN 1935.
Regular audit testing is undertaken.

Standards:

Tested and approved to BS EN 1935 Grade 14 (Severe Duty). Maximum adjusted door weight: 160kg.

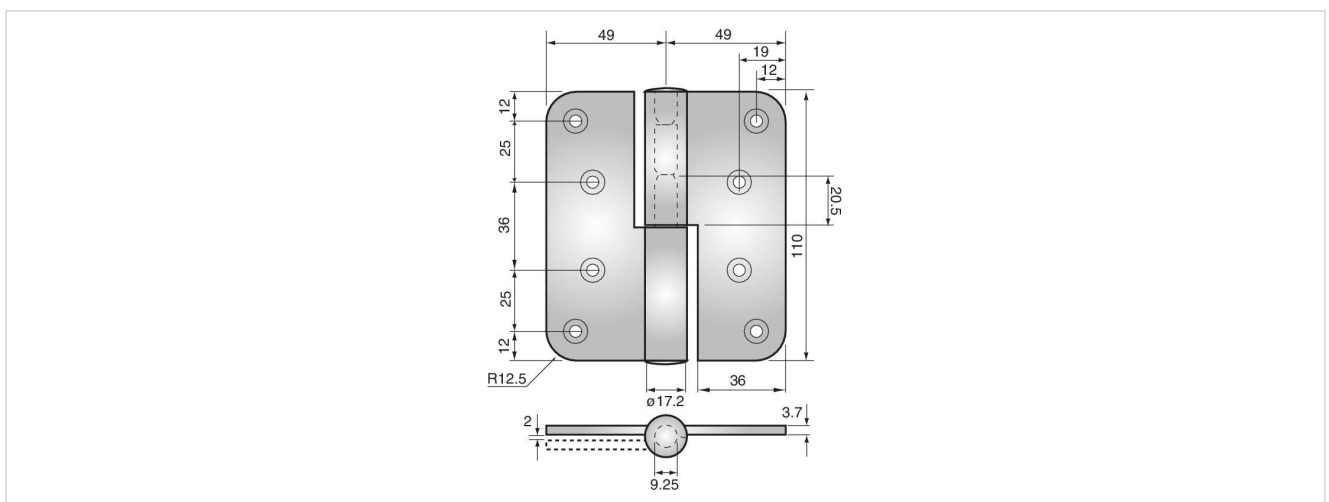
Minimum door thickness 36mm.

Approved for use on fire doors.

*For corrosion resistance see appendix.



Technical Design:



Variants:

Code	Description
80797310357	3288 RH HINGE 2MM C/W SCREWS
80797310557	3288 LH HINGE 2MM C/W SCREWS