



The world's favourite lock since 1843

## Postmaster Platinum Series **letterplates**

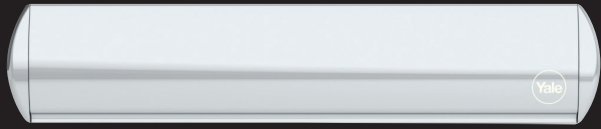
The Yale Platinum letterplates combine eye catching aesthetics with sturdy construction and long service life. Designed to complement the Yale range of premium door furniture the Platinum range of letterplates are suitable for a wide range of door thicknesses and materials.

- 20 year mechanical and surface finish guarantee
- Hard wearing UV stable PVD Gold and Polished Chrome finishes
- Marine grade 316 stainless steel construction on all external components
- Design suites with the Yale Platinum Series door handles
- Postal aperture compliant with EN 13724
- Draught proofing and integral brush strip deliver full weather proofing
- Tested to 25,000 cycles to full 180° opening
- Suitable for door thickness of 20mm to 80mm

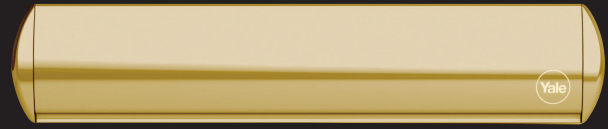




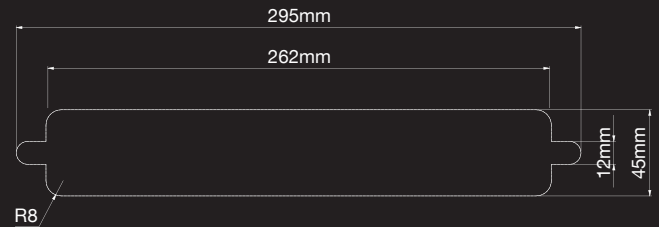
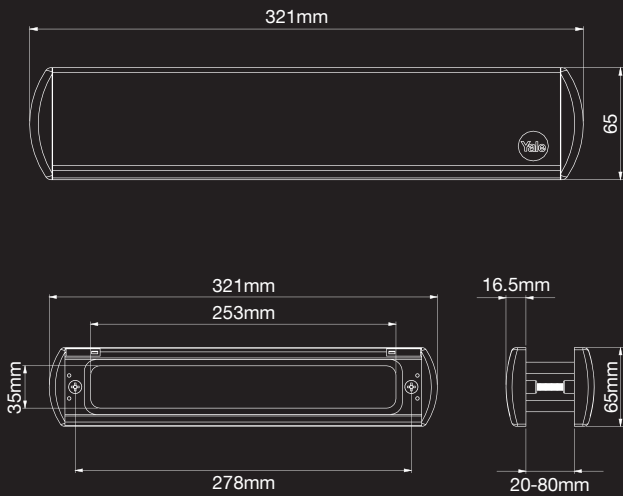
The world's favourite lock since 1843



PVD Polished Chrome



PVD Polished Gold



### Product Code

Product Code	Description	Size	PVD Colour	Box Quantity
Y2G-2040-PG	Premium letterplate	12" 20/40mm	PVD Polished Gold	10
Y2G-2040-PC	Premium letterplate	12" 20/40mm	PVD Polished Chrome	10
Y2G-4080-PG	Premium letterplate	12" 40/80mm	PVD Polished Gold	10
Y2G-4080-PC	Premium letterplate	12" 40/80mm	PVD Polished Chrome	10

### Technical Specification

**All Yale letterplates are corrosion tested in accordance to BSEN 1670**

Corrosion resistance | 480 hours

**THE YALE BRAND**, with its unparalleled global reach and range of products, reassures more people in more countries than any other consumer locking solution.

**THE ASSA ABLOY GROUP** is the world's leading manufacturer and supplier of locking solutions, dedicated to satisfying end-user needs for security, safety and convenience.



**Yale Door and Window Solutions**,  
School Street, Willenhall, West Midlands, WV13 3PW, UK  
T: 01902 366800 F: 01902 369041  
[www.yaledws.co.uk](http://www.yaledws.co.uk)

Due to a continuous programme of development the company reserves the right to make alterations without notice. (Products which are not a stocked item will be subject to a longer lead time which needs to be agreed with your Yale representative).