



## DEFENDER PLUS

### TYPE

### HEAVY DUTY FRICTION HINGE

### BENEFIT

The Defender Plus is an ideal solution for large and heavy vents up to 50kg

DEFENDER PLUS

SD STD DUTY

#### THE DEFENDER PLUS HINGE

With the developments in glazing (e.g. acoustic glass, triple glazing) creating a need for hinges capable of carrying ever increasing loads, the Defender Plus offers a solution in a uniquely engineered domestic hinge range, with increased carrying capacity to suit the growing demands of the market.

- Ability to carry a load of up to 50kg top-hung and 40kg side-hung
- Asymmetric location system for reliable and accurate closure
- Top hung hinge features slot-hole-slot vent fixing configuration for ease of adjustment and guaranteed fixing into reinforcement on PVC-u window frames.

- Top hung variant available in ferritic and austenitic stainless steel, side hung variant available in austenitic stainless steel as standard.
- Improved weather sealing and draught proofing performance from asymmetrical vent arm form
- Enclosed end cap to prevent ingress of debris and provide increased cavity tolerance
- Long and reliable working life tested to 30,000 full cycles
- Adjustable friction cam in slider
- Available in a highline variant for deeper profiles with cavities between 16mm and 18mm
- All variants are covered by either Securistyle's 10 or 12-year Guarantee (Ferritic/Austenitic\* stainless steel respectively). Full details available on request.

10  
YEAR GUARANTEE  
12

austenitic  
304  
430  
ferritic



\* Standard ferritic (was 430) stainless steel to BS EN 10088-2 Grade 1.4016. Austenitic (was 304) stainless steel to BS EN 10088-2 Grade 1.4301



Manufactured in the UK

#### Securistyle

Kingsmead Industrial Estate, Princess Elizabeth Way  
Cheltenham, Gloucestershire GL51 7RE, UK

Rev 8 - January 2013 - ©

Tel: +44 (0) 1242 221200

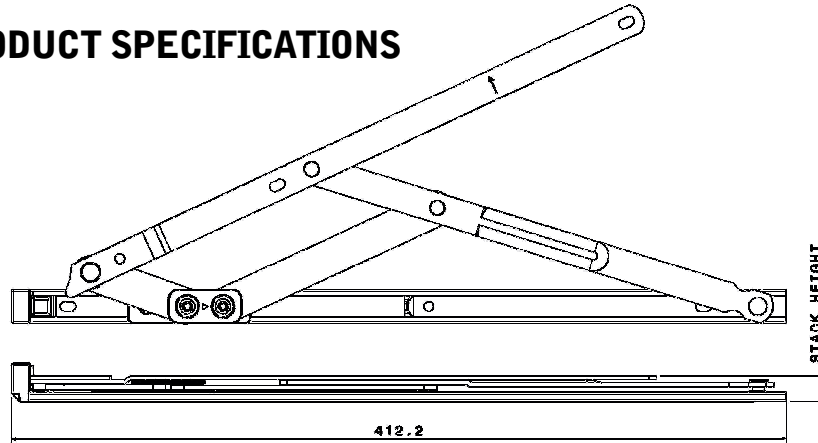
Fax: +44 (0) 1242 228194/520828

E-mail: [info@securistyle.co.uk](mailto:info@securistyle.co.uk)  
Website: [www.securistyle.co.uk](http://www.securistyle.co.uk)

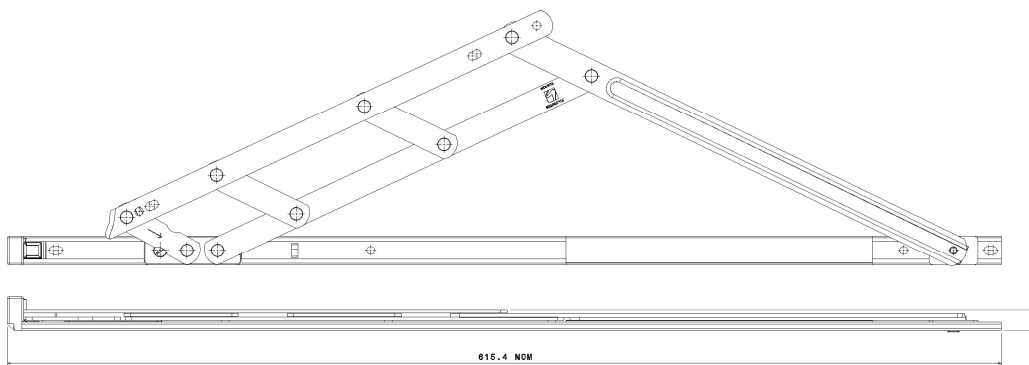


## PRODUCT SPECIFICATIONS

DEFENDER plus



EDSH16A



EDTH24

10  
YEAR GUARANTEE  
12

Part Code	Hinge Size (in/mm)	Stack Height (mm)	Max Vent. Weight (kg)	Min Vent Height (mm)	Max Vent Height (mm)	Opening Angle
<b>Top Hung</b>						
EDTH24	24/615	13	50	850	1500	32°
EDTH24H6	24/615	16	50	850	1500	32°
EDTH24H7	24/615	17	50	850	1500	32°
EDTH24A	24/615	13	50	850	1500	32°
EDTH24H6A	24/615	16	50	850	1500	32°
EDTH24H7A	24/615	17	50	850	1500	32°
EDTH24-TV	24/615	13	50	850	1500	32°
EDTH24A-TV	24/615	13	50	850	1500	32°
<b>Side Hung</b>						
				Min Vent Width (mm)	Max Vent Width (mm)	
EDSH16A	16/412	13.5	40	400	1000	60°
EDSH16H6A	16/412	16.5	40	400	1000	60°
EDSH16H7A	16/412	17.5	40	400	1000	60°

austenitic  
304  
430  
ferritic

**Note:** As with all types of friction hinges, friction cannot be provided until the slider moves, therefore when limiting the opening of top hung vents to angles of 10° or less, a separate device will be required to prevent the window from closing.

When fitting the EDTH24A and its variants, pull in blocks/locking wedges/snubbers must be fitted 100mm from each corner and then across the top as required to aid weather sealing.



BS EN 1509001  
Cert No. Q05105

Due to our policy of continual improvement we reserve the right to alter specifications without notice. It is the responsibility of the window manufacturer to ensure that the finished window meets the required performance and safety specification.

All transactions are subject to our standard conditions of supply, which are available on request

Ref: DP5D

### Securistyle

Kingsmead Industrial Estate, Princess Elizabeth Way  
Cheltenham, Gloucestershire GL51 7RE, UK

Rev 8 - January 2013 - ©

Tel: +44 (0) 1242 221200

Fax: +44 (0) 1242 228194/520828

E-mail: [info@securistyle.co.uk](mailto:info@securistyle.co.uk)  
Website: [www.securistyle.co.uk](http://www.securistyle.co.uk)