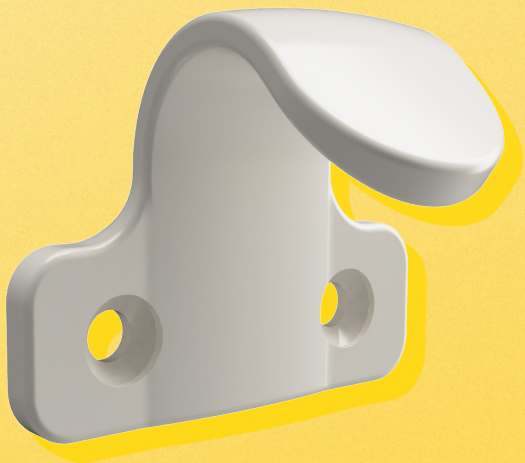


Yale

Vertex™

Sash Lift

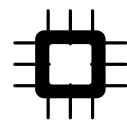
The Yale Vertex™ range has notably been designed to complement and maintain the traditional aesthetics seen on sash windows, a framework that is most commonly found in British period-style homes



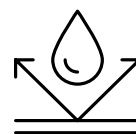
- Suitable for use on all vertical sliding windows
- Designed for appearance and functionality
- Die -cast zinc for consistent hole positions
- Available in a range of finishes
- Included within the Yale Lifetime Security Guarantee



10 year Surface Finish
Guarantee



Cross Hatch Adhesion
Tested



BS EN 1670: Grade 4
240 Hours NSST

Trusted every day

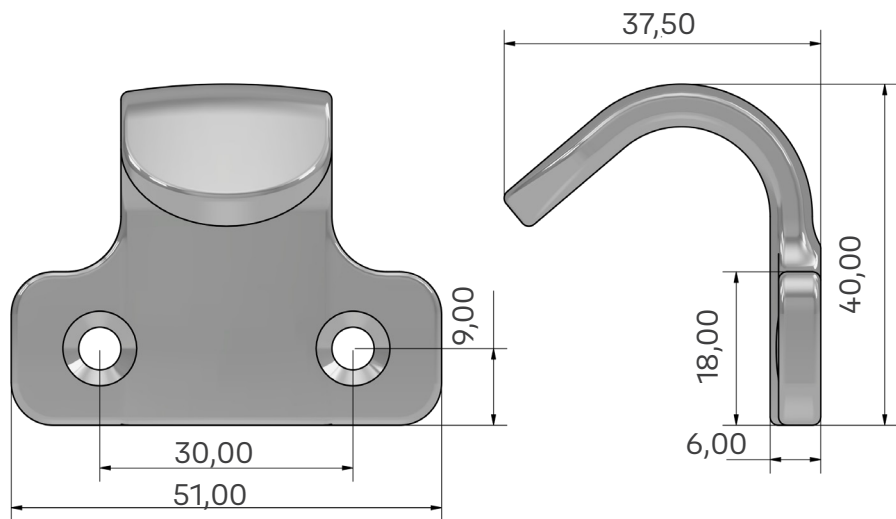


Product	Profile System	Part code
Sash Lift - Chrome	All window systems	YVSSL01-CH
Sash Lift - Champagne gold	All window systems	YVSSL01-CG
Sash Lift - Silver	All window systems	YVSSL01-SL
Sash Lift - White	All window systems	YVSSL01-WH
Sash Lift - Black	All window systems	YVSSL01-SB

Maintenance	Yale recommends this product is surface cleaned with a damp cloth only and is kept free from any building materials and debris which could affect the mechanism.
--------------------	--

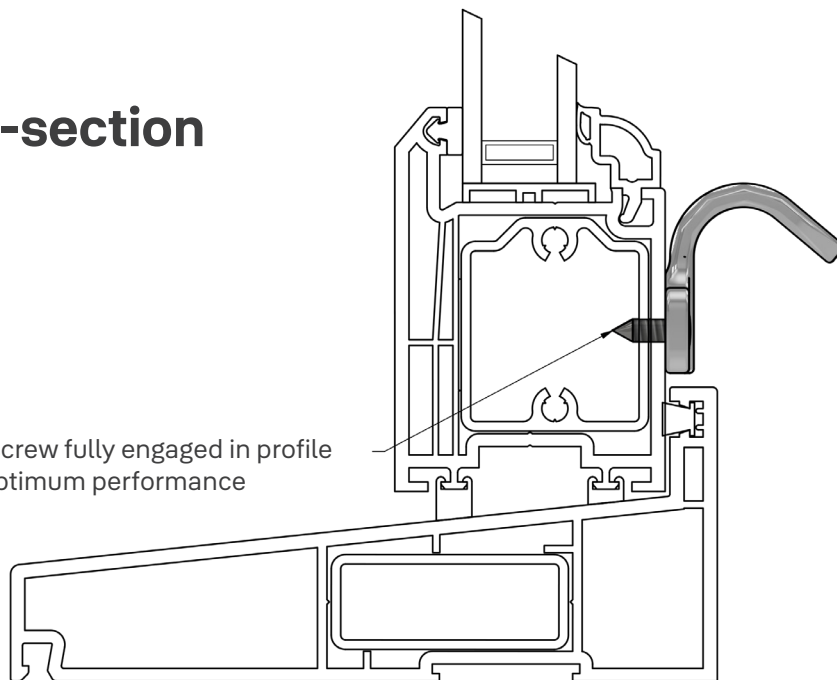


Designed for
uPVC, Timber and
Aluminium vertical
sliding sash windows



Typical window cross-section for Sash Lift

Ø4.8 Countersunk screw fully engaged in profile reinforcement for optimum performance



Colour Variants

Chrome
Champagne gold
Silver
White
Satin Black

Packaging

Boxed in 50's

Material Specification

Die-cast Zinc