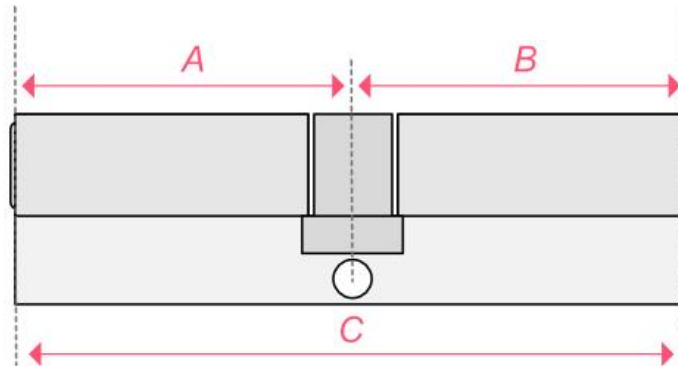


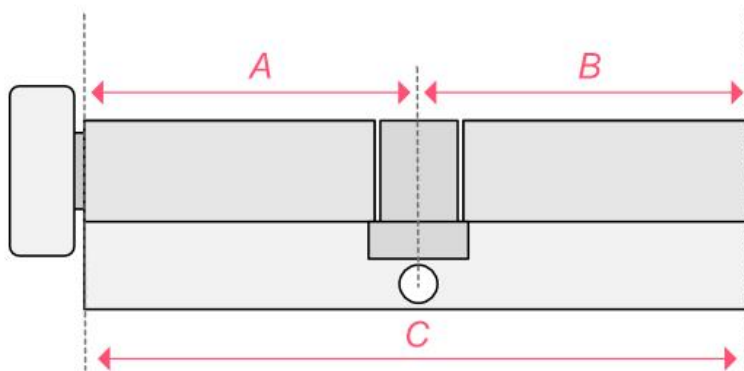
## How to measure euro-profile cylinder lock



$$C=A+B$$

**Example:** A=50; B=50, therefore overlength for the cylinder is 100mm with an equal split.

Please note, for key/key cylinders A+B is the same as B+A, but for cylinders with a thumb turn A is always inside (indoor) measurements with a TT (thumb turn). See the example below:



**A = 50mm; B=45mm, C=A+B, therefore C=5045TT**

Opening hours:

Mon to Thurs  
Friday

8:00am to 5:00pm  
8:00am to 4:00pm